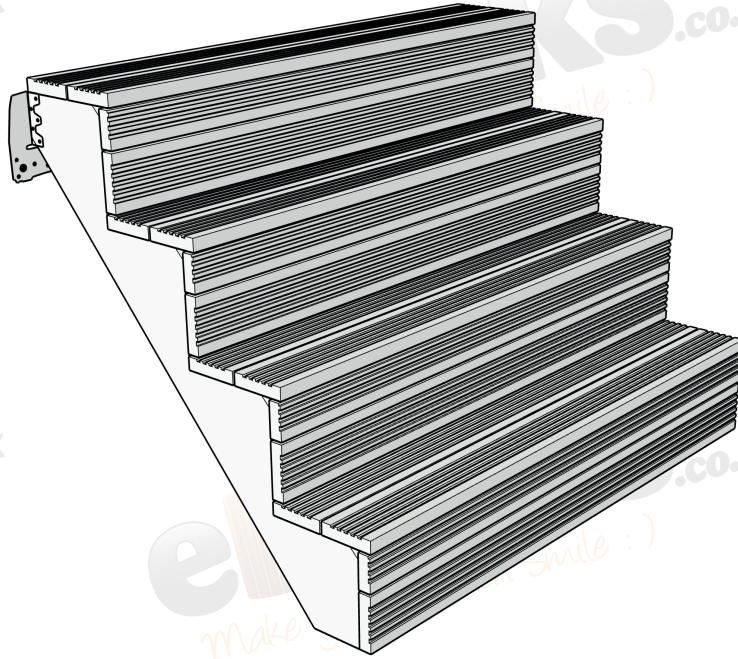


Step Stringer Fitting Instructions



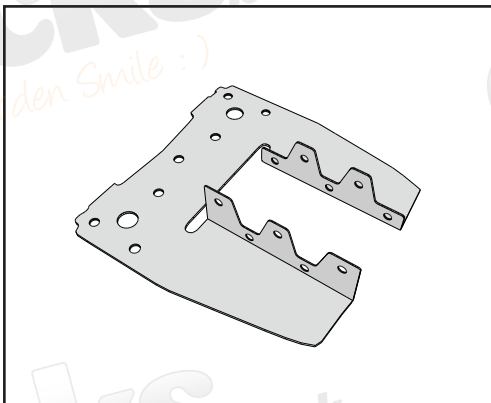
Kit Contents

This is an example of finished step kit,
please note these instructions are relevant
for all our step stringer kits

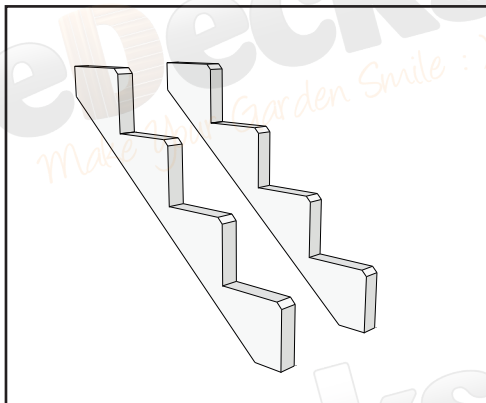


YOUR KIT WILL CONTAIN THE FOLLOWING ITEMS

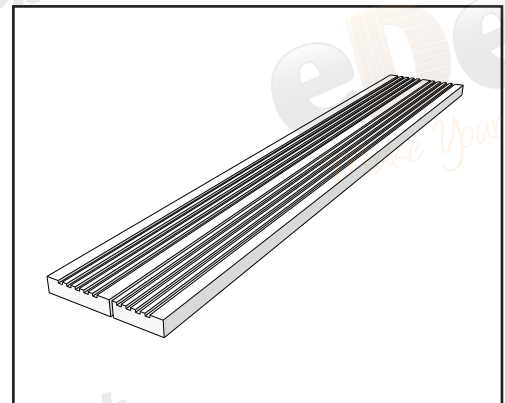
TRUSS CLIPS & FIXINGS



STRINGERS



DECKING BOARDS



Don't forget to check your work with a level as you go!

Step Stringer Fitting Instructions

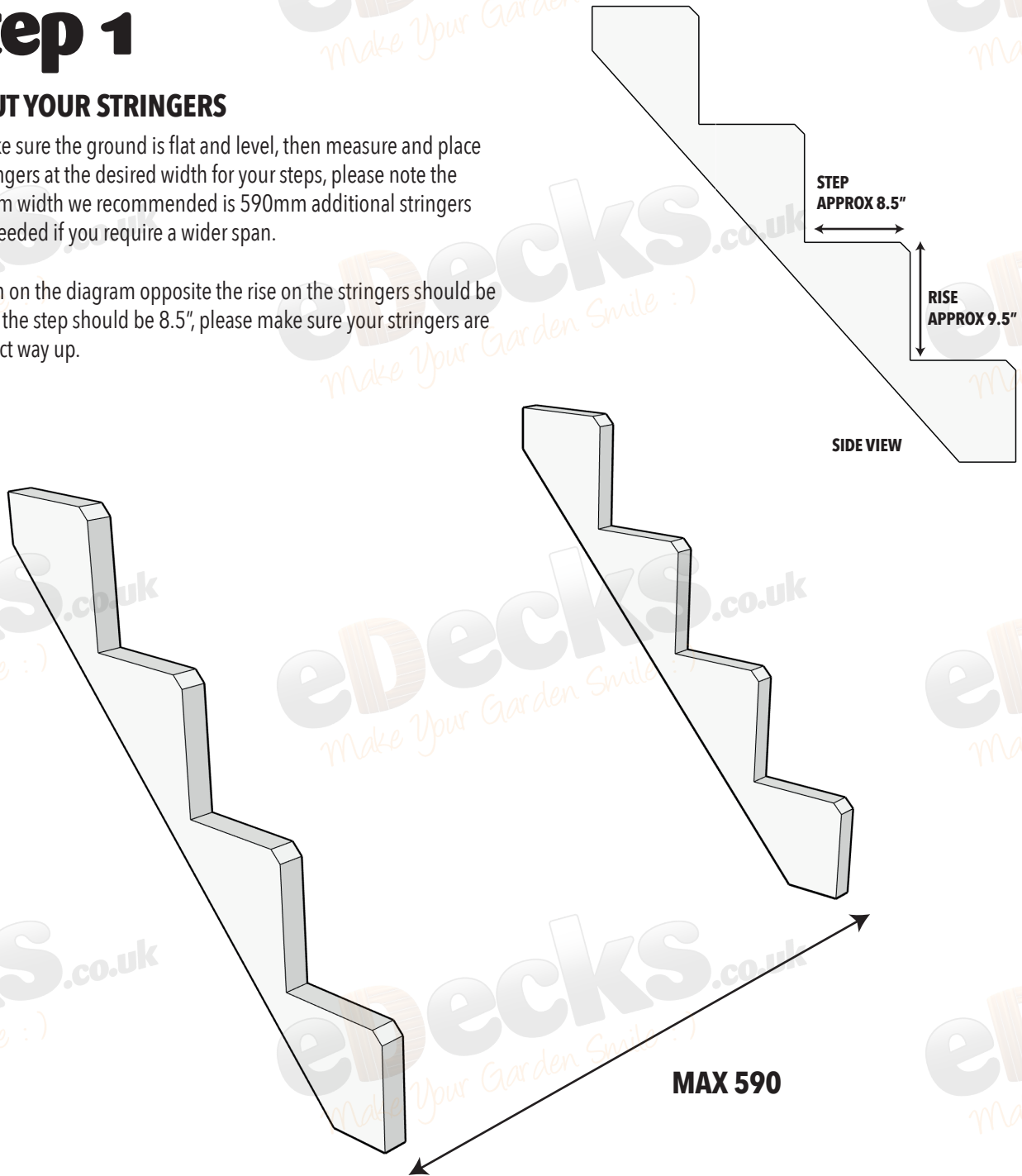


Step 1

SET OUT YOUR STRINGERS

First make sure the ground is flat and level, then measure and place your stringers at the desired width for your steps, please note the maximum width we recommended is 590mm additional stringers will be needed if you require a wider span.

As shown on the diagram opposite the rise on the stringers should be 9.5" and the step should be 8.5", please make sure your stringers are the correct way up.

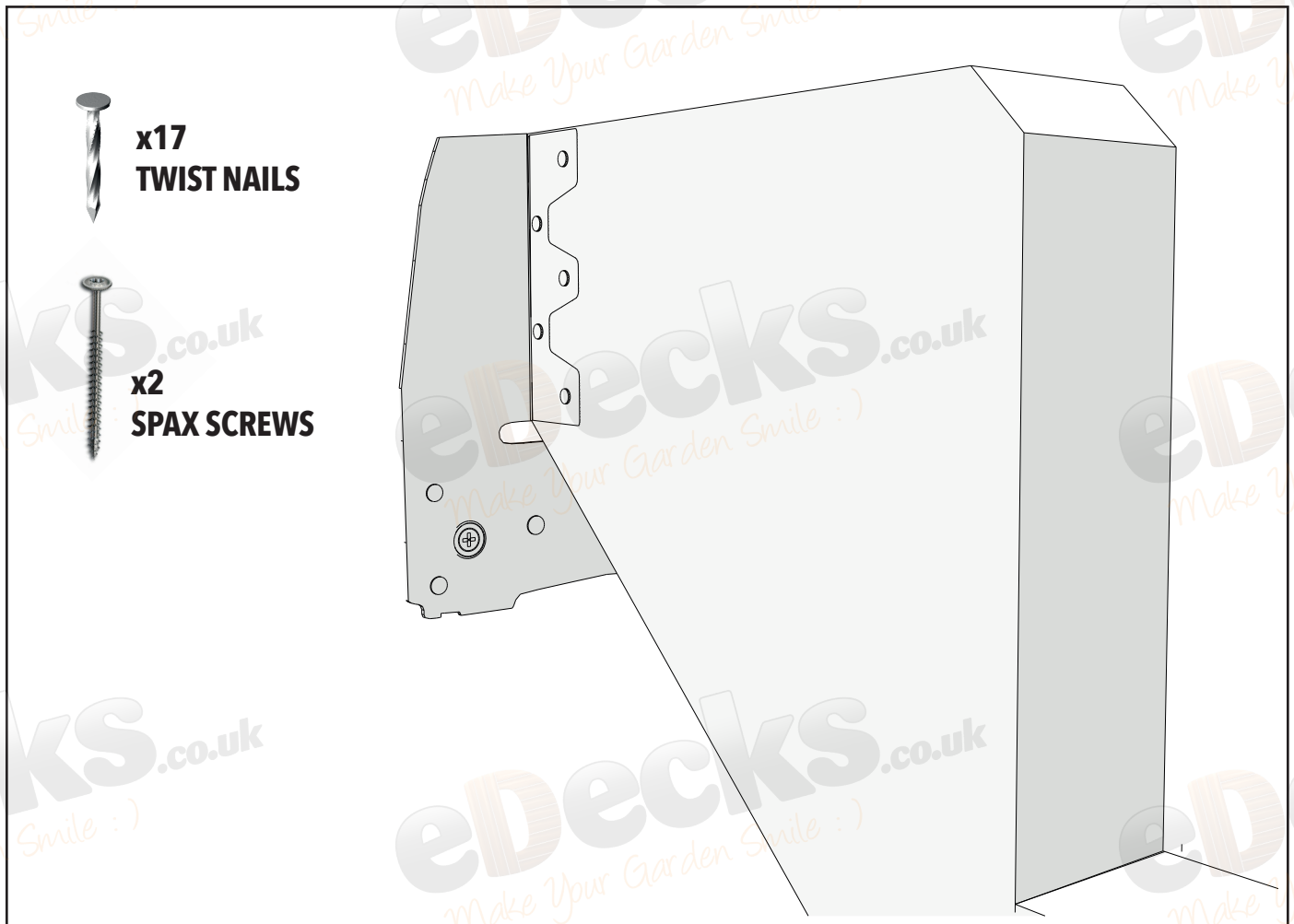
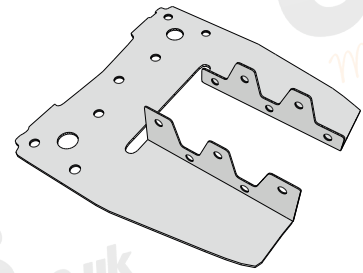


Don't forget to check your work with a level as you go!

Step 2

FIX STRINGERS INTO POSITION USING TRUSS CLIPS

Secure the truss clips to your supporting surface and the step stringer by using the twist nails into the 17 holes on the truss clips and 2 spax screws as shown in diagram.



Don't forget to check your work with a level as you go!

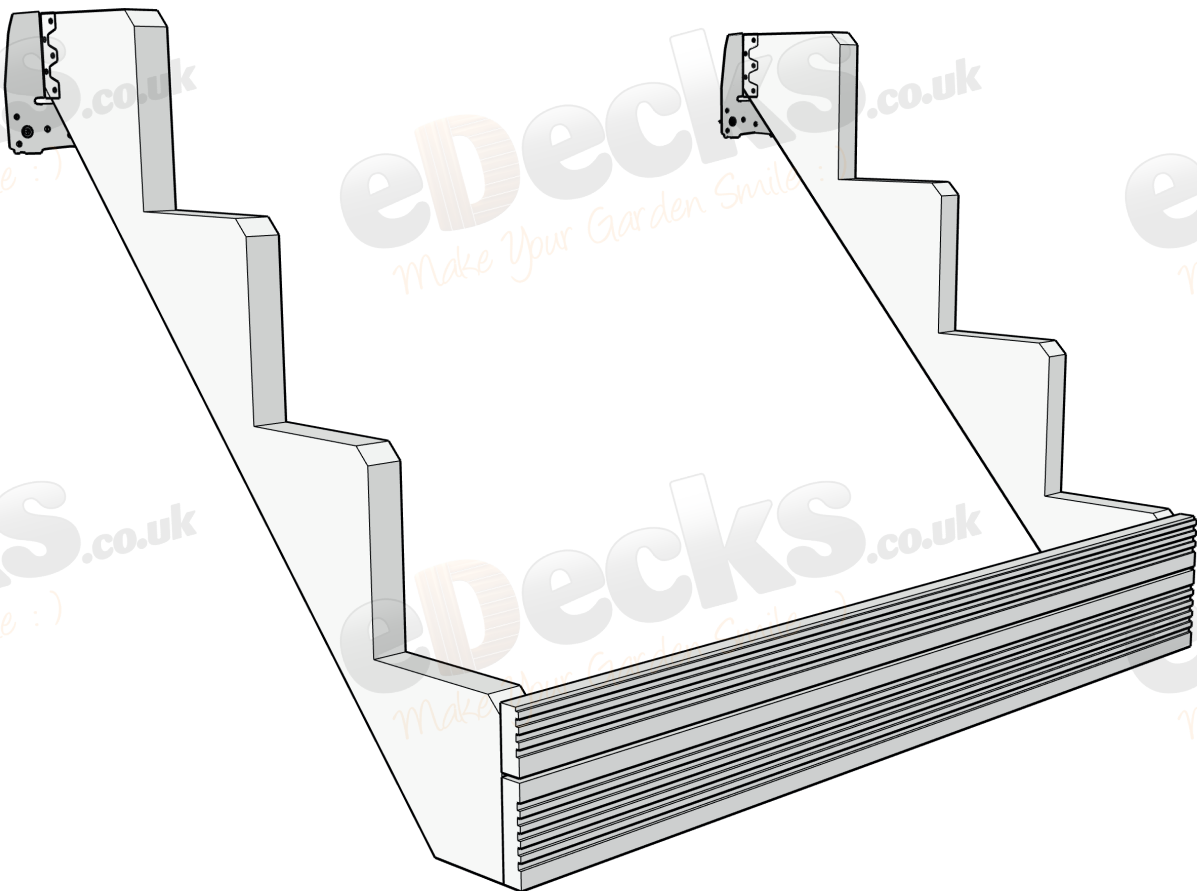
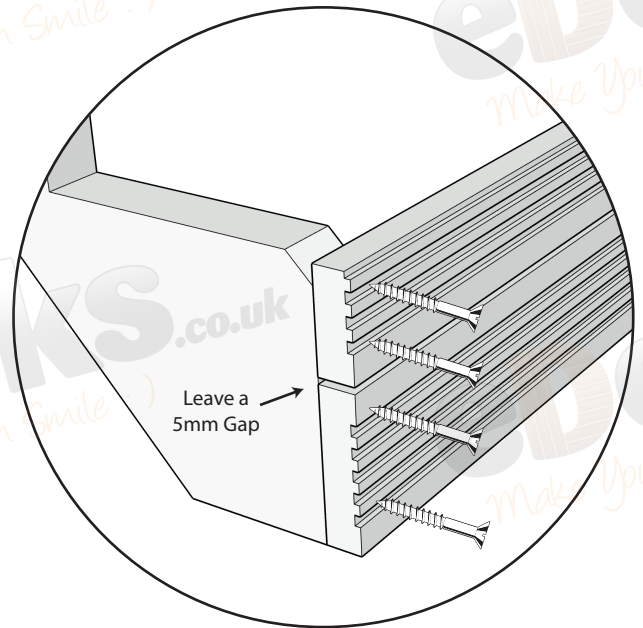
Step 3

SECURE THE 2 BOTTOM BOARDS TO THE STRINGERS

Start by securing the lowest board to the base of the stringers, use 4 screws - 2 at each end of the board to secure the board in place.

Once in position secure the ripped down board in the same way, leaving a 5mm gap between the lowest board.

Don't worry that the edge of the ripped down board will be visible at this point it will get covered by the step boards in the next step.



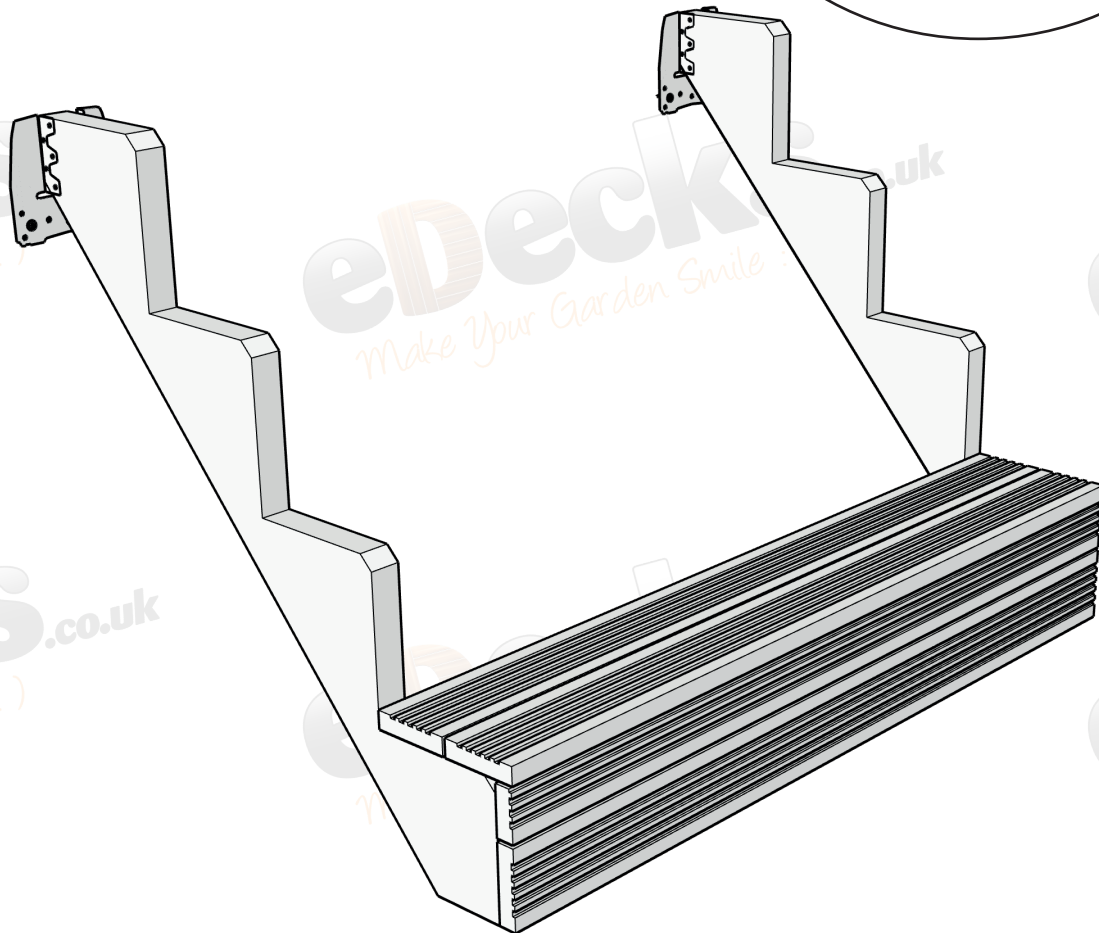
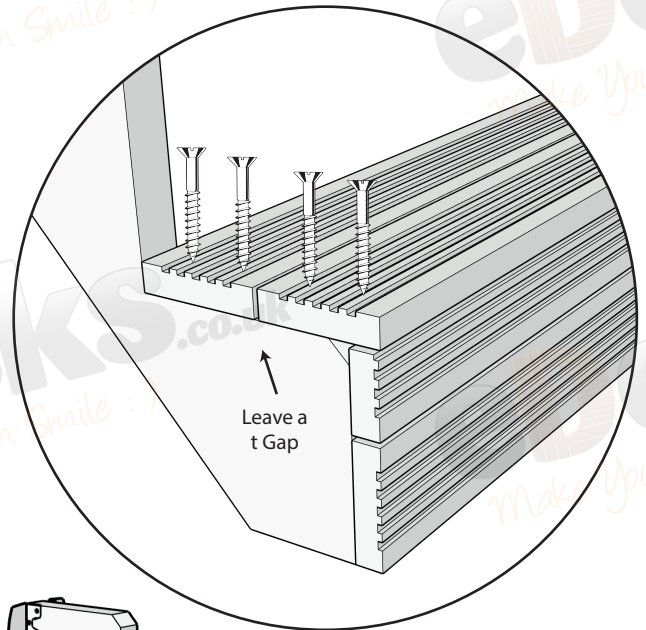
Don't forget to check your work with a level as you go!

Step 4

SECURE THE FIRST 2 STEP BOARDS TO THE STRINGERS

Next position and secure the lowest step boards, start at the front so that the deck board overhangs the stringer slightly and covers the edge of the ripped down board fitted in previous step, the edge of this board should be flush with the riser boards below, secure using 2 screws at each end.

Once in position place the second board behind the front board leaving a 5mm gap, don't worry if there is a small space where the board meets the corner of the stringer this will be covered by the riser boards in the next step.

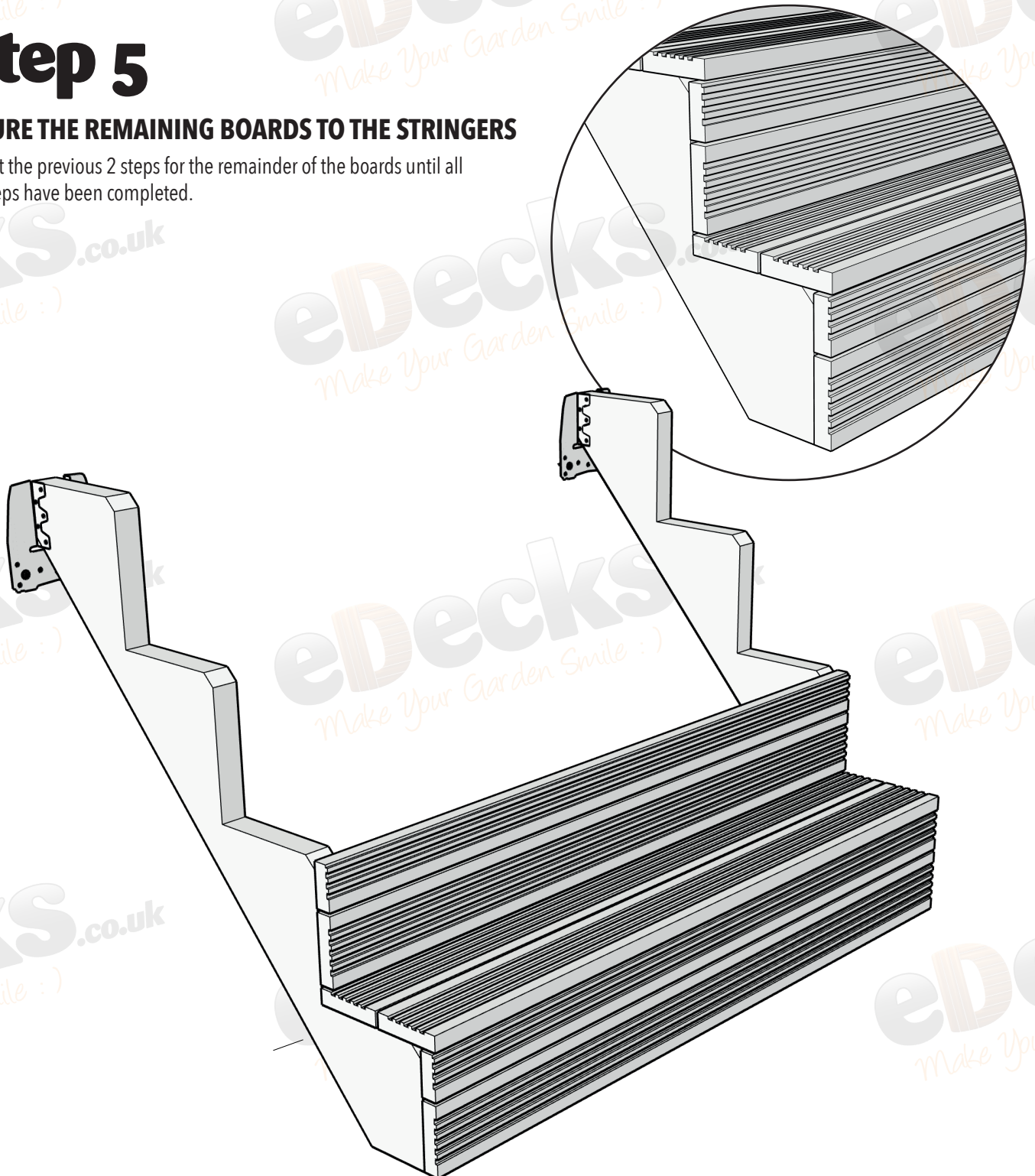


Don't forget to check your work with a level as you go!

Step 5

SECURE THE REMAINING BOARDS TO THE STRINGERS

Repeat the previous 2 steps for the remainder of the boards until all the steps have been completed.



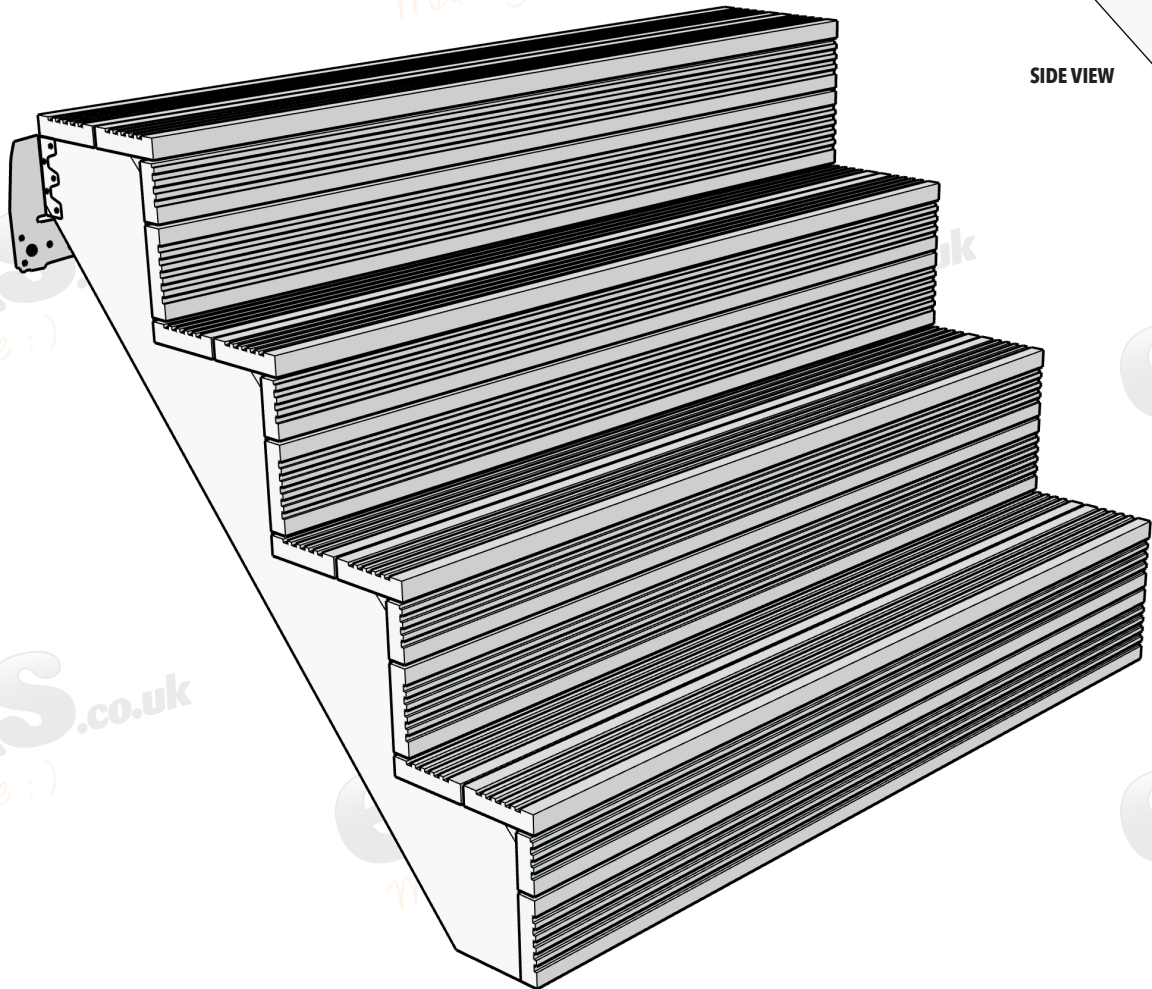
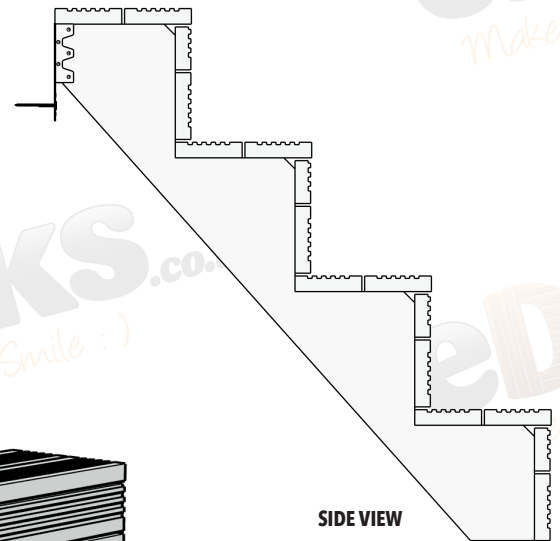
Don't forget to check your work with a level as you go!

Step Stringer Fitting Instructions



Finish

Once all the boards are fitted to the stringers your kit should look like the diagram below.



Don't forget to check your work with a level as you go!