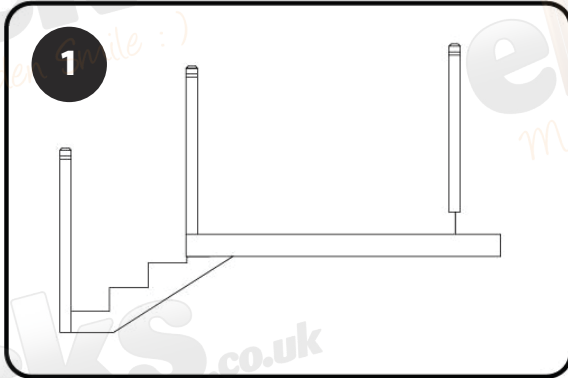
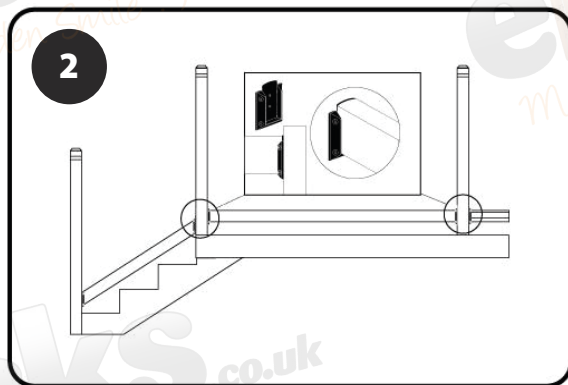
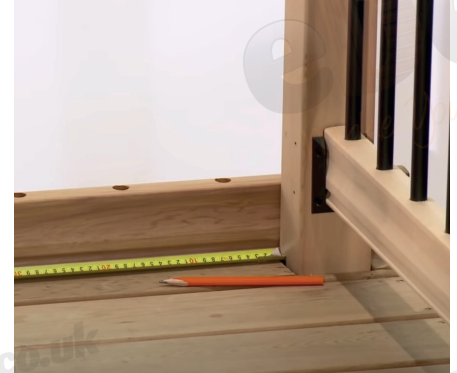


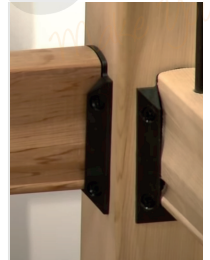
Fitting Instructions Traditional Railing Kit System



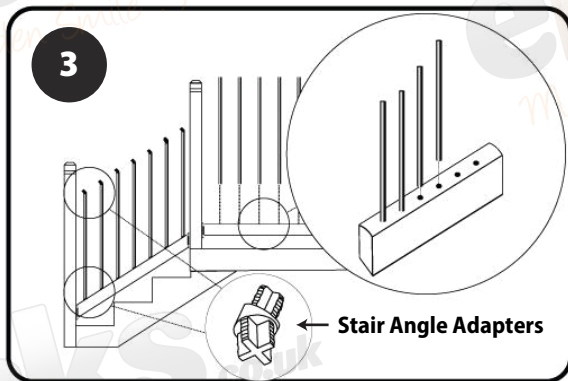
Set newel posts (sold separately) to accommodate pre-drilled rail length. Centre pre-drilled rail between newel posts and trim equal amounts from each end of top and bottom rails if required.



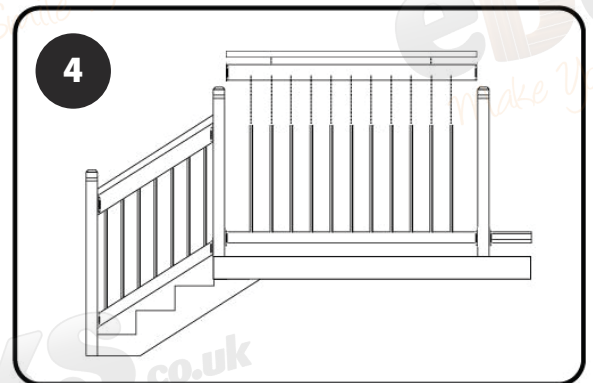
Slide Rail Hanger Bracket over the end of the rail and attach with screws through the end of the rail. Opening of bracket must always be up.



Rail Hanger Bracket



With the high-quality pink grip adhesive (sold separately), fill all the holes half way. Insert balusters into pre-drilled holes in rail. This will bond the wood to the balusters.



Attach pre-drilled top rail, fasten railing section to post with hanger bracket, attach cap rail with the high-quality pink grip adhesive (sold separately)

Pls Note. Any kit over 1.8m will require a footer block (included)