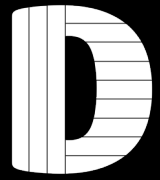


Rustic Rose Pergola Walkway 3ft sides

Fitting Instructions



Component List

Pergola Parts

- 4 x Round Pointed Timber Corner Poles 2400mm (A)
- 9 x Round Timber Rafter Poles 2250mm (B)
- 8 x Round Timber Supports (Angled) 470mm (C)

Fixings

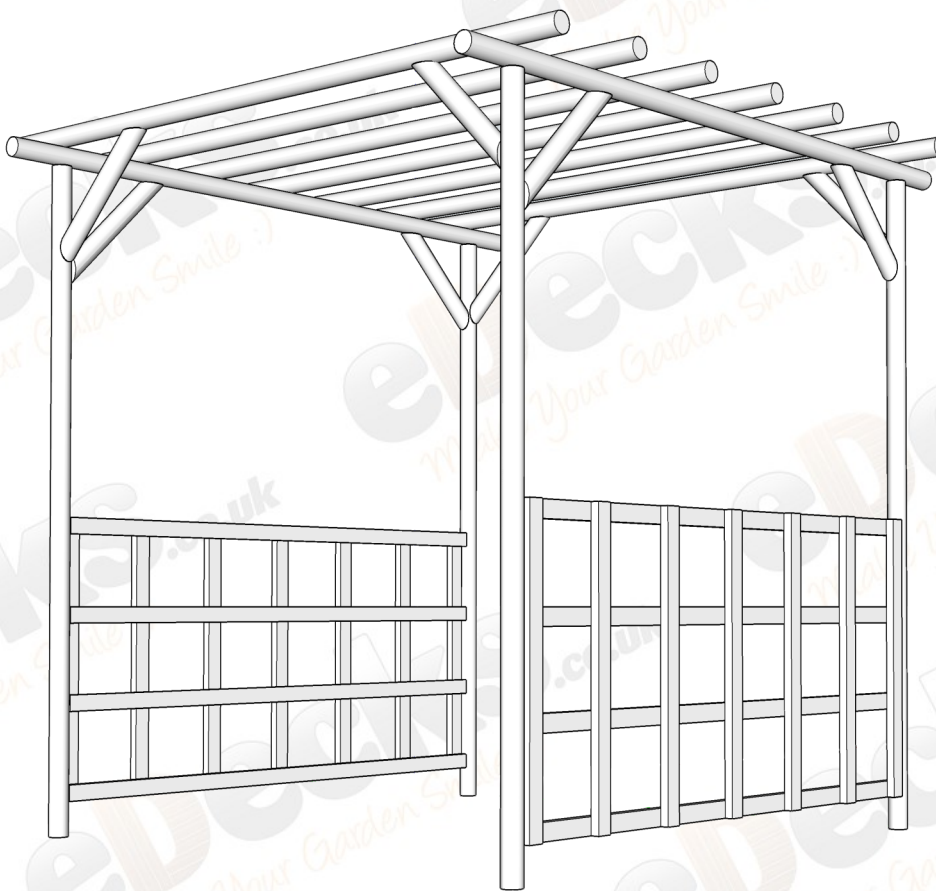
- 18 x 4" Wood Screw (X)
- 24 x 3" Wood Screw (Y)

Trellis Panels

- 2 x 3ft Trellis Panel (Z)

Tools Required:

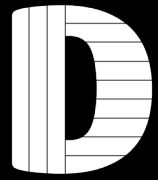
- Drill driver
- Pencil
- Tape measure
- Spirit level
- Step Ladders



We recommend a minimum of 2 people to assemble this pergola.

Rustic Rose Pergola Walkway 3ft sides

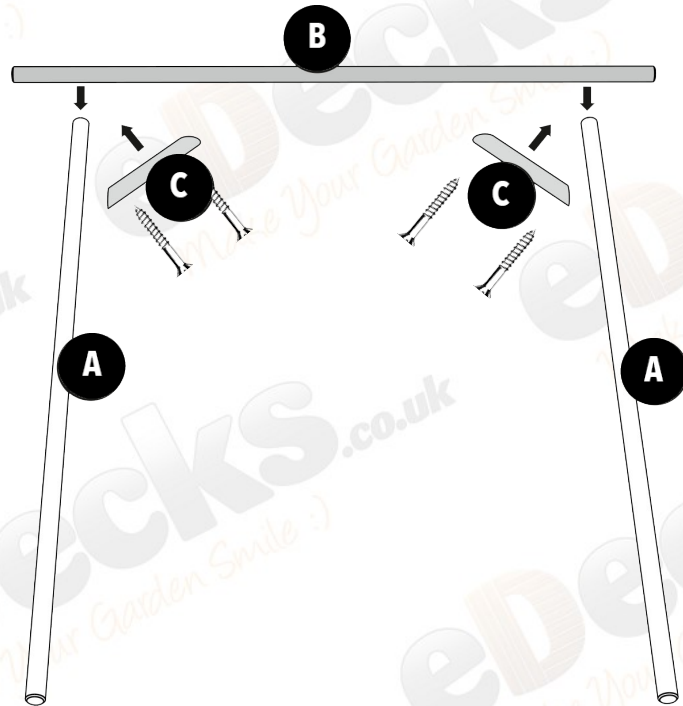
Fitting Instructions



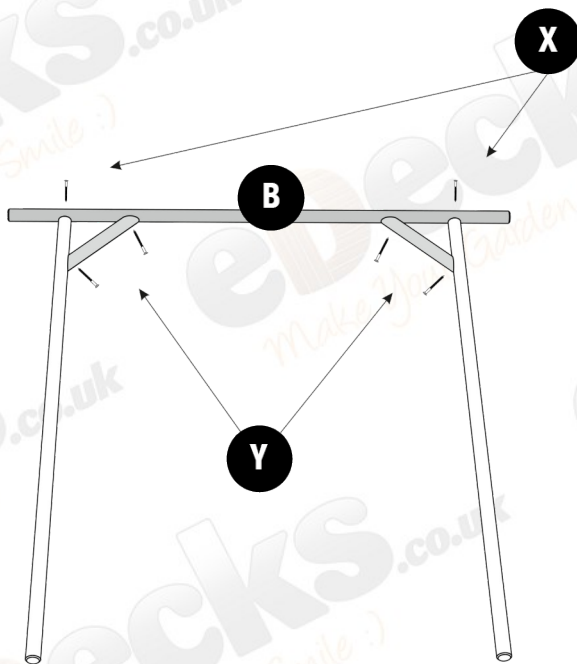
Step 1

Start by laying out 2 x corner poles (A), 1 x rafter pole (B) and 2 x support pieces (C).

The distance between corner poles (inside edge to inside edge) needs to be 1828mm (6ft).



Step 2



Position the rafter pole (B), centrally on top of the support poles (A).

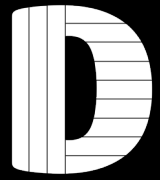
Make sure the distance between corner poles (inside edge to inside edge) is 1828mm (6ft).

Drive through the rafter pole in to the top of the corner poles using 1 x 4" Wood screw (X).

Secure the support pieces (C) into the corners using 2 x 3" Wood Screws (Y) at each side.

Rustic Rose Pergola Walkway 3ft sides

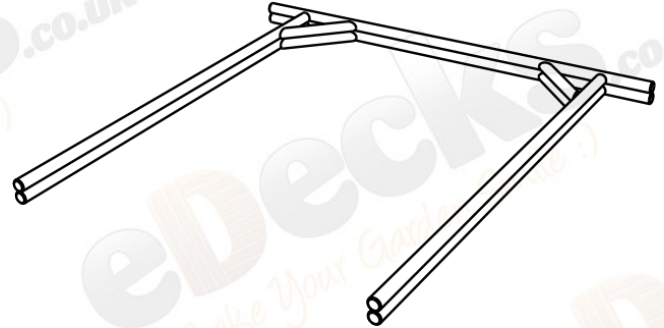
Fitting Instructions



Step 3

Repeat steps 1 & 2 to create an identical second side to the pergola.

You should now have two sections exactly the same.



Step 4

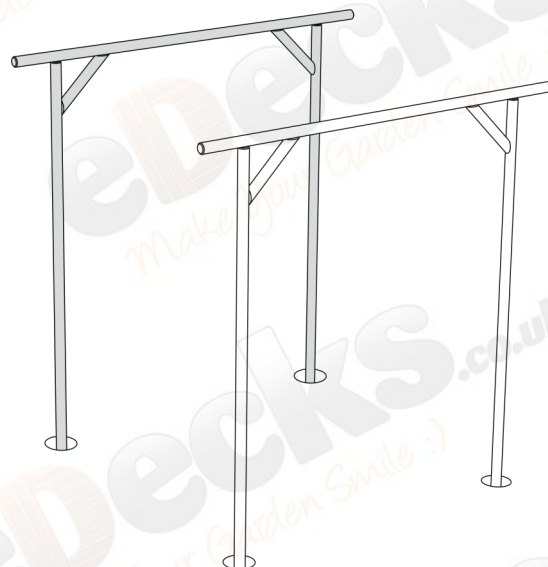
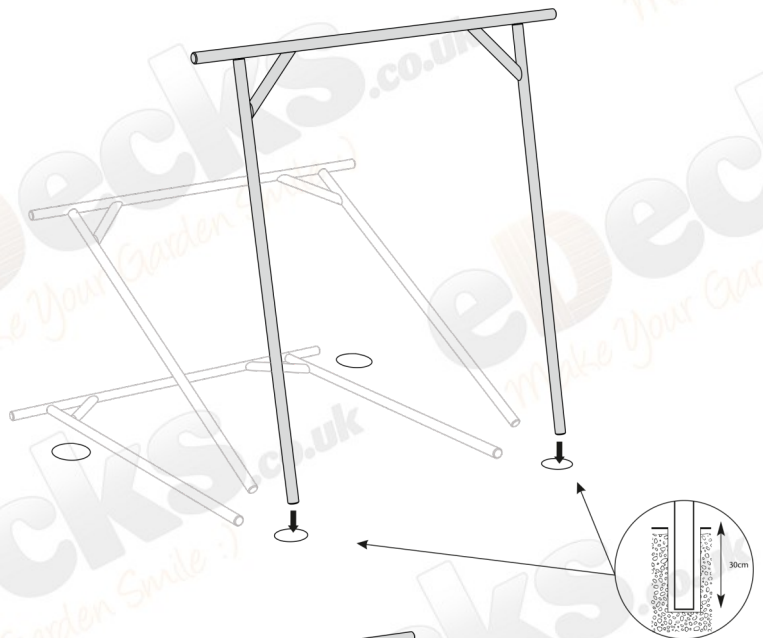
Mark out where you will be setting the gazebo and prepare your holes ready to drop the sides in. Dig down to a depth of 300mm plus an allowance around the post for concrete/postmix (not included).

There should be a 1828mm (6ft) gap between each corner post (A).

Drop the corner posts (A) of the first side 300mm deep in to the ground. Do not fix in place at this stage.

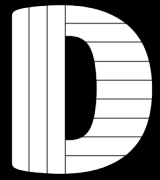
Repeat with the second side and you will now have all corner posts stood upright.

Have one person holding up one side while the other person begins to fix the rafters in the next step.



Rustic Rose Pergola Walkway 3ft sides

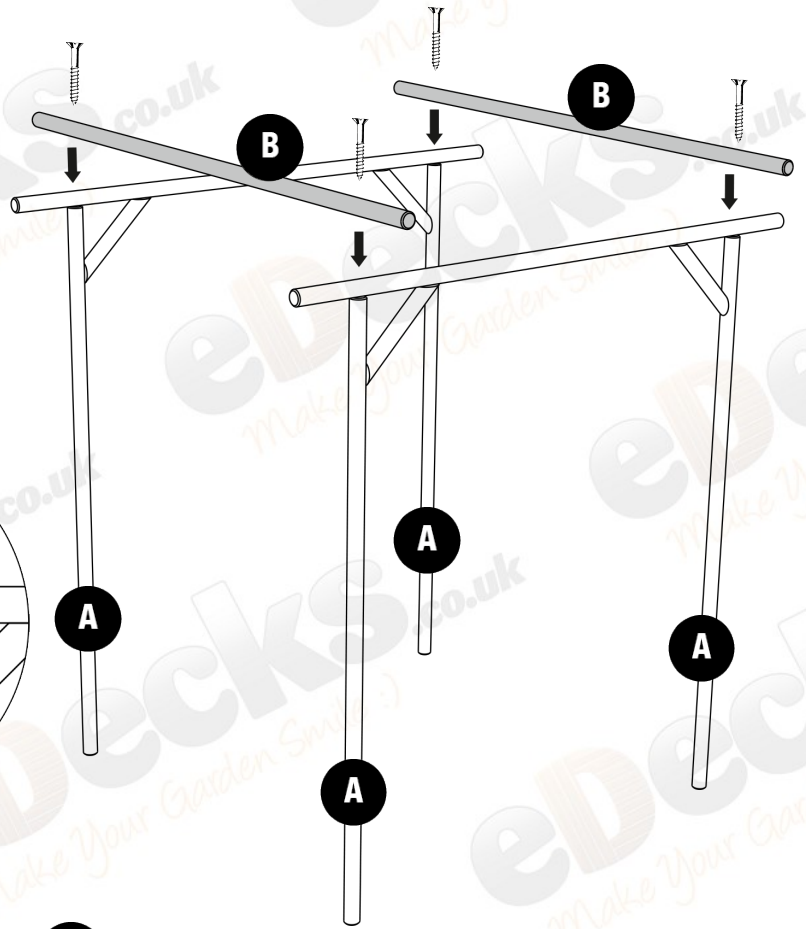
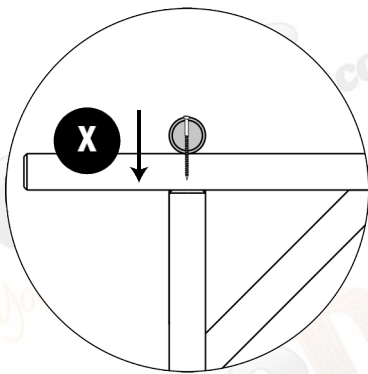
Fitting Instructions



Step 5

Whilst making sure your corner supports are level, position 2 x rafter poles (B) across the top of the previously installed rafter poles, in line with the corner posts (A). Position these with equal overhang at either end.

Drive through the rafter poles (B) into the rafter pole below using 1 x 4" Wood screw (X).

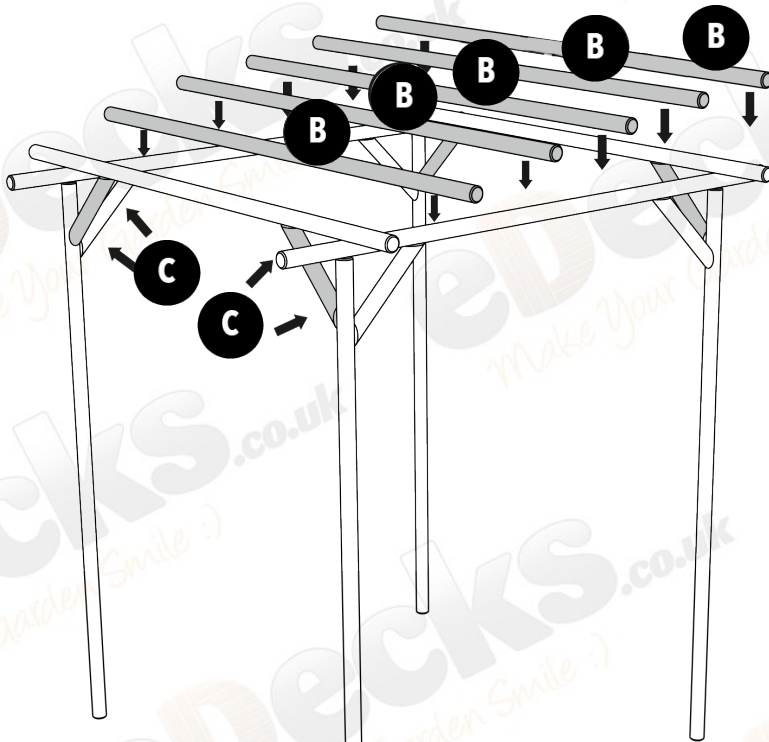


Step 6

Fix the remaining 5 x rafter poles (B) by equally spacing in-between the two rafter poles fitted in step 5.

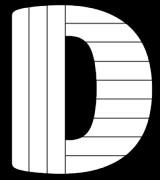
Use 1 x 4" Wood screw (X) per side.

After securing all the rafters, take the remaining angled supports (C) and fix in place at the front and rear of the pergola using 2 x 3" Wood screws (Y) for each angled support piece (C).



Rustic Rose Pergola Walkway 3ft sides

Fitting Instructions



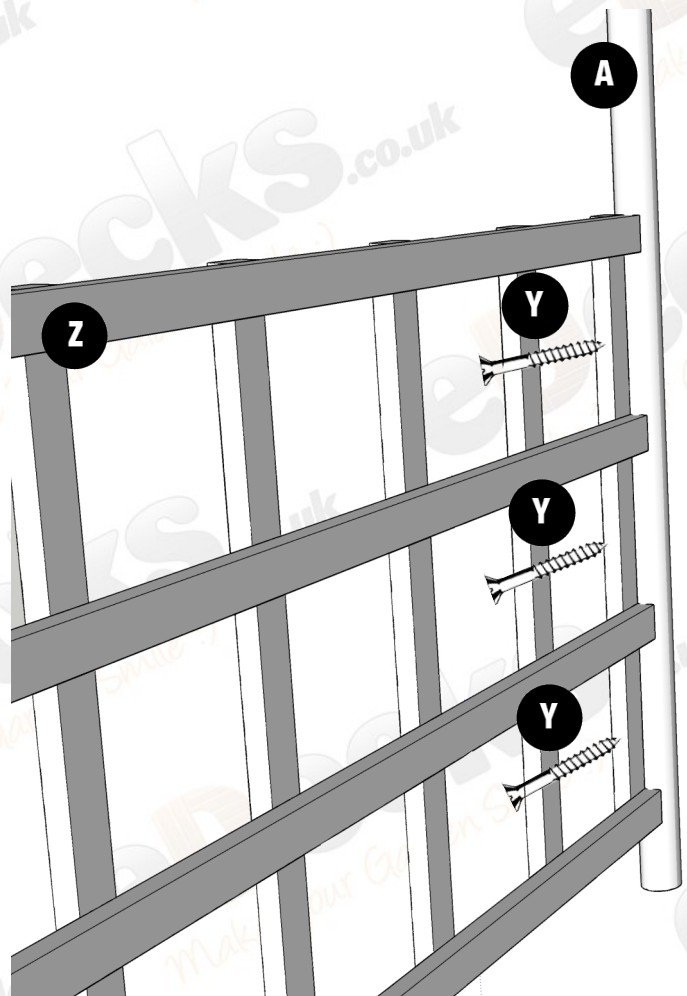
Step 7

Secure your corner posts into their holes that you prepared in step 4. Carefully position each corner post and fix in place with your chosen concrete/postmix (not included).

Step 8

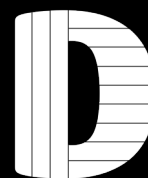
Position the trellis (**Z**) in to place and fix through each side into the pergola corner posts (**A**) using 3 x 3" wood screw (**Y**) per side.

We recommend positioning the trellis 50-100mm above ground level. Having the trellis slightly above ground level will help to prevent any potential rot, however you may position this as you see fit.



Rustic Rose Pergola Walkway 3ft sides

Fitting Instructions



Finished

Your Rustic Rose Pergola walkway is now complete.



Enjoy your new Rustic Rose Pergola Walkway!

All images are for illustration only. Please see individual item listings for actual item specifications.

Page 6 of 6