

Modern Deck is manufactured to precise tolerances. The space between the glass panels should be no more than 95mm.

Fixing the Newel post

The Maximum width between newel post for the Modern Deck is 1813mm, this is due to the maximum length of the handrail and the brackets to fix it to the post (anything shorter than this you will need to cut to size).

First we are going to assemble the newel base connector and the support bar.

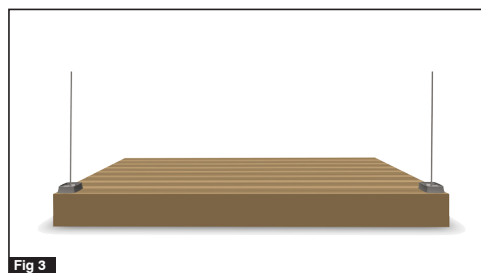
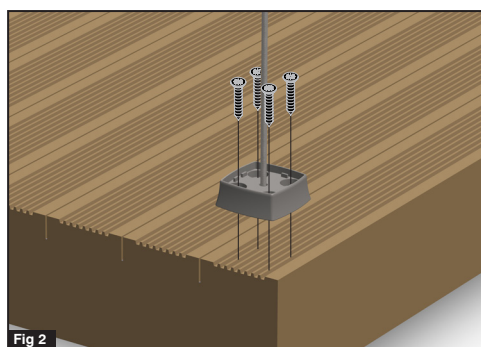
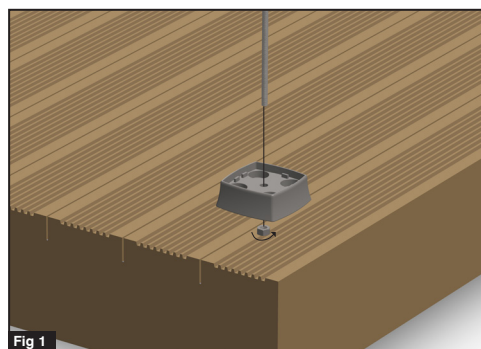
Take the long threaded bolt from the metal post and thread it through the centre hole of the base connector and screw the supplied nut from underneath this is to lock the rod into place.

See **Fig 1**

You now need to secure the base connector to either your timber base or concrete base (here you will have to use the suitable fixings for the relevant flooring).

If you are drilling into wood we would also suggest drilling pilot holes first. See **Fig 2**

Once you have done this then your decking should look like **Fig 3**



Dont forget to check your work with a level as you go!



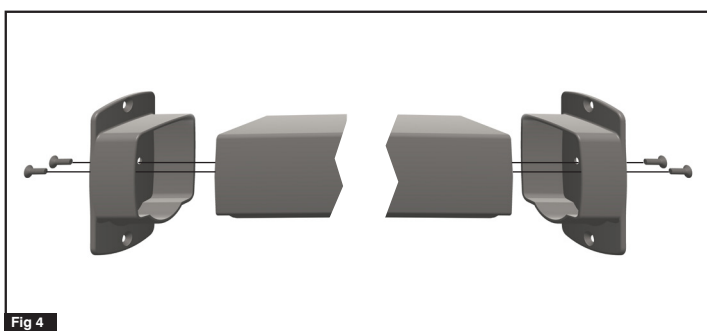
Fixing the baserail

When it comes to fixing the baserail take all the parts you require out of the packaging being careful not to damage any pieces (remember metal can scratch).

Take out your handrail brackets from their box and the bag of screws before you attach these to the hand rail you will need to measure and mark the height the baserail should sit, this height should be at 95mm above the deck board, once you have determined the height of the baserail place one of the connector pieces against the newel post and mark onto your newel post the holes to secure the handrail to the newel post,

Pilot drill the two holes into the metal newel post using a 3mm metal drill piece, repeat this procedure on both newel posts.

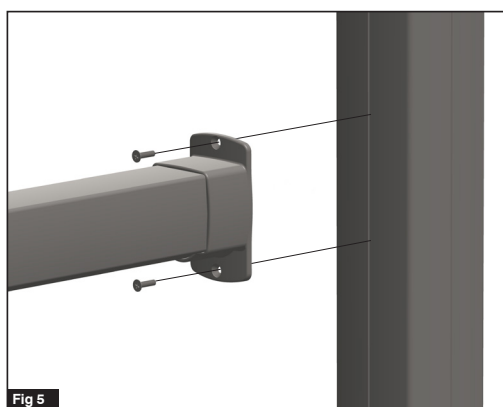
Now slide the connectors over the ends of the handrail (you will only be able to put this on one way) take two off the silver self tapping screws and securely fix the connector to the handrail. See **Fig 4**



Fixing the baserail to the newel post

Once you have connected these to both ends of the handrail and have made sure they are secure you are now ready to attach them to your Newel posts.

Take the two screws that are coloured these will attach the baserail to the newel post, line up your baserail to the holes that you have already made and securely fix the base rail to the newel post. See **Fig 5**



Dont forget to check your work with a level as you go!

Page 2 of 5

All images are for illustration only, Please see individual item listings for actual item specifications

Fixing the baserail and newels to the decking

Once you have your baserail connected to your newel posts you can slide them as a unit over the threaded metal polls that you have already secured to your decking/patio (making sure that you have the baserail to the bottom) ensure that both newel posts sit perfectly within the newel post bases. See **Fig 5**



Once you have everything in place you will then need to take the remaining nut and washer and fit it to the threaded bolt and secure the newel post (do not tighten these fully as you will need these to be slightly loose so you have movement to secure your handrail. See **Fig 6**

Installing the glass panels

When it comes to installing your glass panels you will need to follow this formula to work out the gap size between your glass panels.

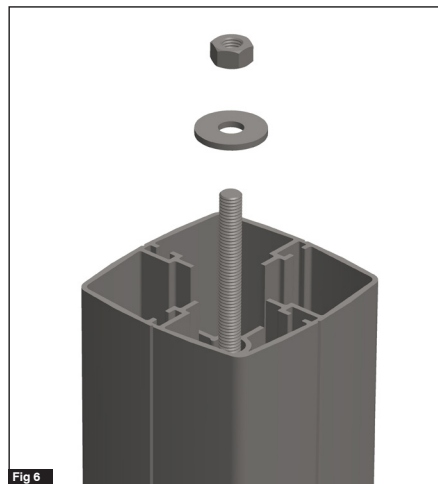
Formula

Glass panel width x number of panels (that you are using) = A
Length of rail - A = B

B / number of panels (that you are using) + 1 = Size of Gap

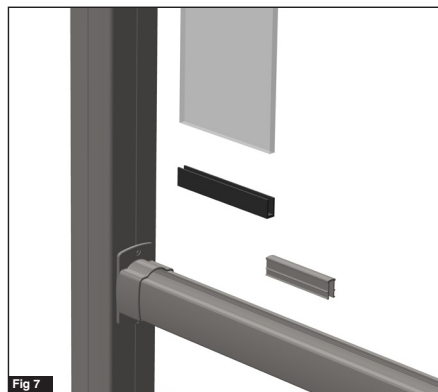
Example

- $150\text{mm} \times 7 = 1050\text{mm}$
Glass panel width x number of panels (that you are using) = A
- $1813\text{mm} - 1050\text{mm} = 763\text{mm}$
Length of rail - A = B
- $763\text{mm} / 8 = 95.375\text{mm}$
B / number of panels (that you are using) + 1 = Size of Gap



Once you have your gap then you are ready to cut down your fillets you can use these measurements for your handrail too. With the first two fillets for the baserail and handrail take of 5mm from the measurement these two fillets will be your fillets in which you will put into each end of the baserail under the connector.

When you are ready to insert the glass first take the rubber bracket and run some warm soapy water over the rubber (this will allow easy application for when placing the rubber into the groove) and place the rubber into the groove. Now place a small amount of warm soapy water into the rubber piece in the groove and slide your first piece of glass into the rubber. See **Fig 7**



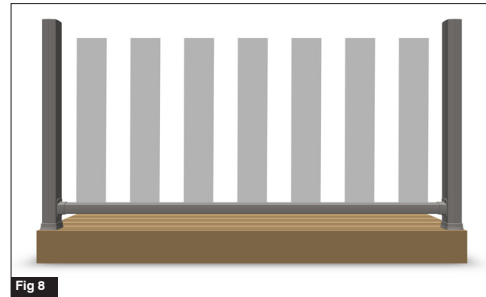
Finish off by placing a new piece of plastic finish beside your glass continue this process for all pieces of glass.

Dont forget to check your work with a level as you go!

Page 3 of 5

All images are for illustration only, Please see individual item listings for actual item specifications

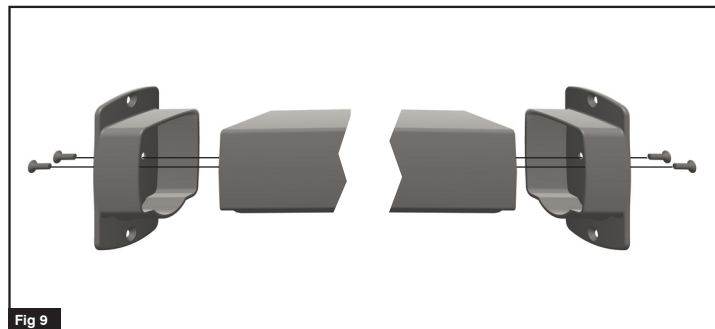
Once you have all your glass in place it should look like this. See **Fig 8**



Fixing the handrail

Slide the connectors over the ends of the handrail (you will only be able to put this on one way) take two off the silver self tapping screws and securely fix the connector to the handrail. Do this to both ends See **Fig 9**

Once you have both connectors attached to your hand rail place your handrail loosely over the glass panels, mark the holes of the handrail connectors on the newel post. Remove the handrail of the glass panels



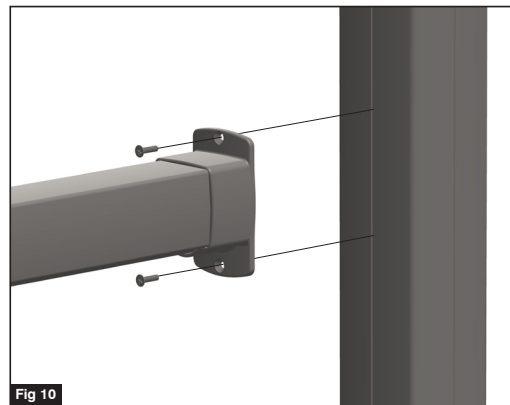
Pilot drill the holes into the metal newel post using a 3mm metal drill piece, repeat this procedure on both newel posts.

Fixing the handrail to the newel post

We advise that you take care when you doing this next bit we would advise you have some help.

We again advise you put some warm soapy water around the rubber bit and we suggest placing the rubber piece over the glass pieces and then sliding the whole handrail carefully over the glass pieces and allow it to ease into place.

Take the two screws that are coloured these will attach the hairrail to the newel post, line up your baserail to the holes that you have already made and securely fix the base rail to the newel post. See **Fig 10**



Dont forget to check your work with a level as you go!

Page 4 of 5



Once you this is complete finish off the handrail with the fillets you have cut and your deck should look like this. See **Fig 11**

Repeat these step if you are adding further sides and however you will only be able to attach one end off rails first and then attach it to the metal newel post that is in position.

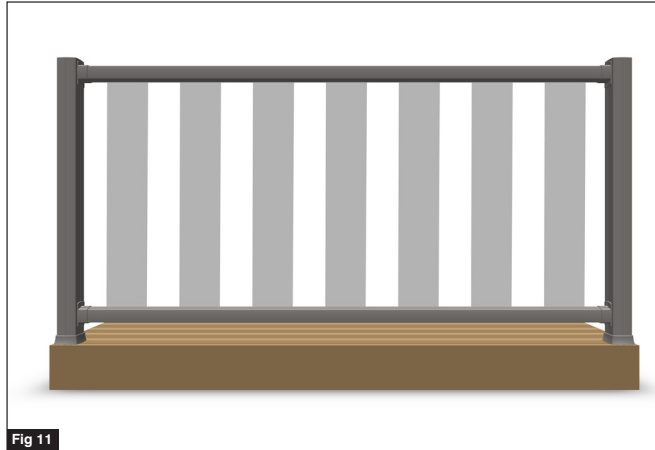


Fig 11

Dont forget to check your work with a level as you go!

Page 5 of 5

All images are for illustration only, Please see individual item listings for actual item specifications