

Queen Victoria Fitting Instructions

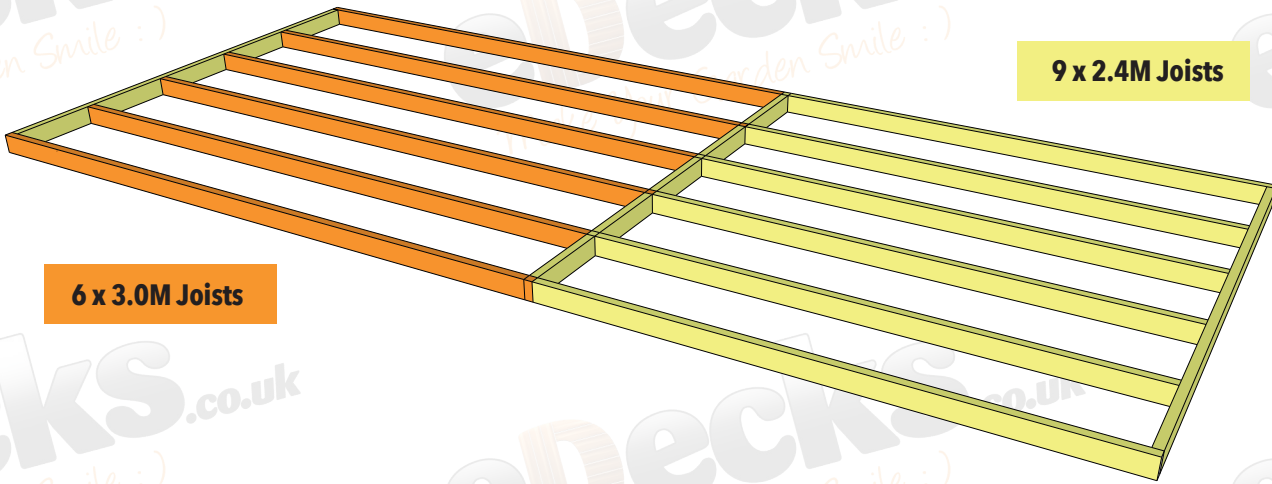


Step 1

LAY YOUR FRAME

This is an example of a decking frame

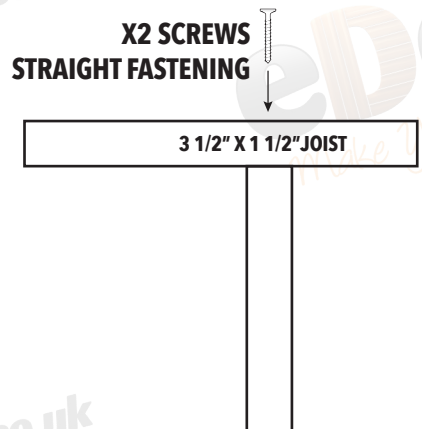
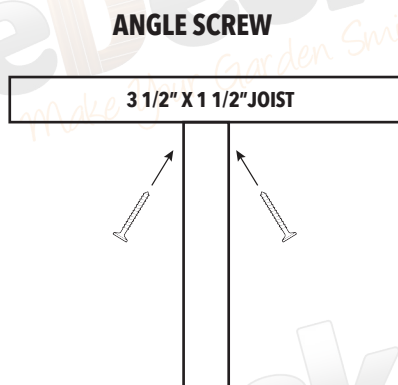
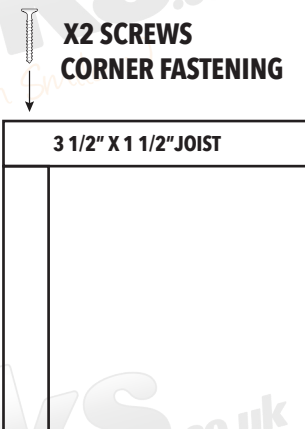
**FRAME TO BE LAID ONTO
PAVING SLABS, OR ONTO
GRASS OR SOIL**



Using the decking joists provided in the Kit (3 1/2" x 1 1/2") build the perimeter first then evenly spread the remaining decking joists inside as shown in the example above, using the 4" x 10g joist screws from the fixing kit.

This may require some cutting to fit your size requirements

METHOD FOR SCREWING JOISTS



JOISTS TOP VIEW



Step 2

FITTING THE PERGOLA POSTS & NEWELS

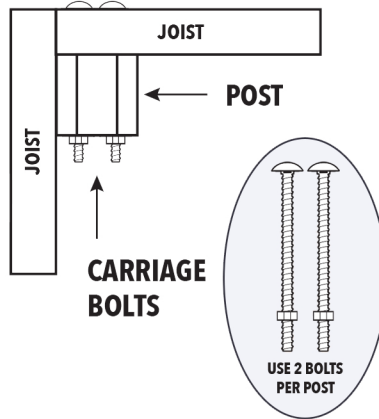
You are supplied with pergola posts and newels. Accounting for the post sitting flush with the bottom of the base please select how high you would like the pergola posts, please cut accordingly.

Each Pergola Post needs securing in each corner and depending on the size of the kit posts may need fitting in between.

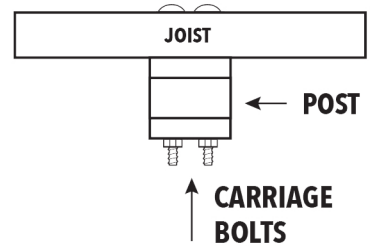
Install posts your kit begins to look like the below...

JOISTS TOP VIEW

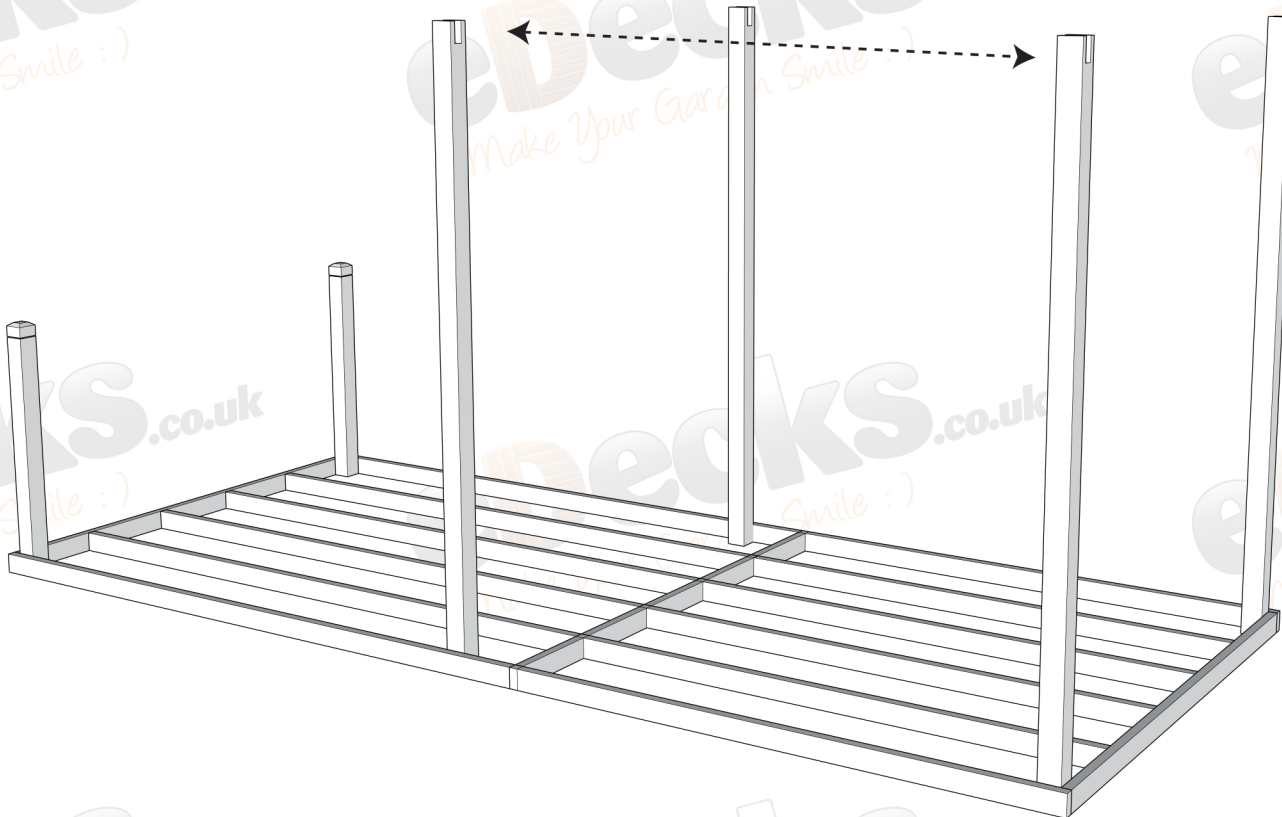
A. SECURE AT CORNER



B. SECURE AT SIDE



Please make sure your post notches line up

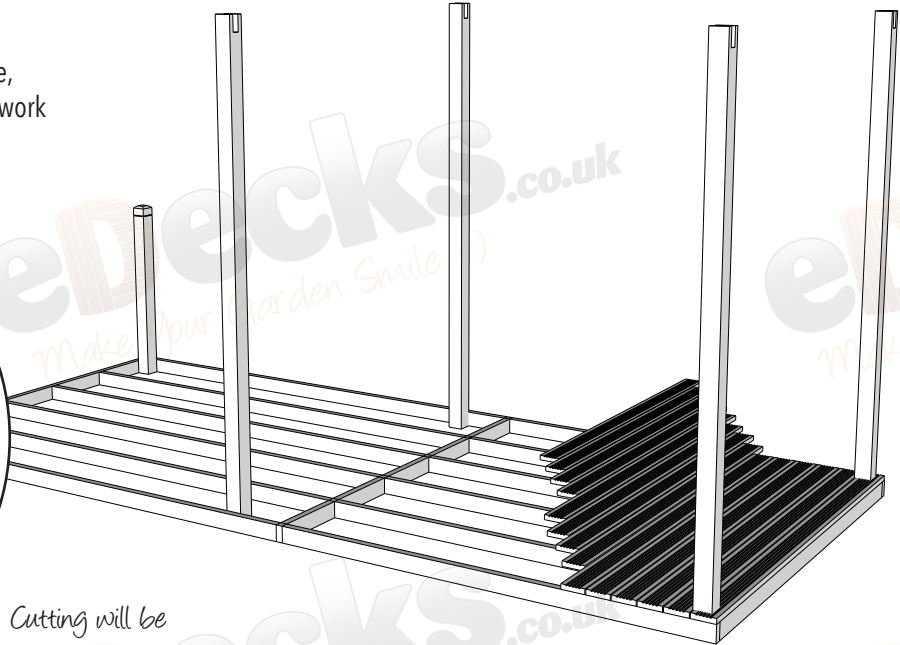
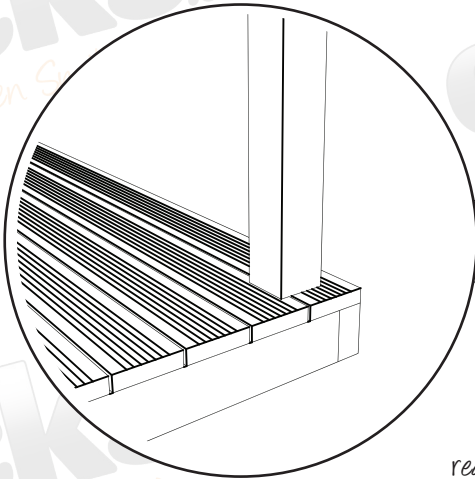


Dont forget to check your work with a level as you go!

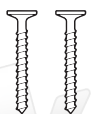
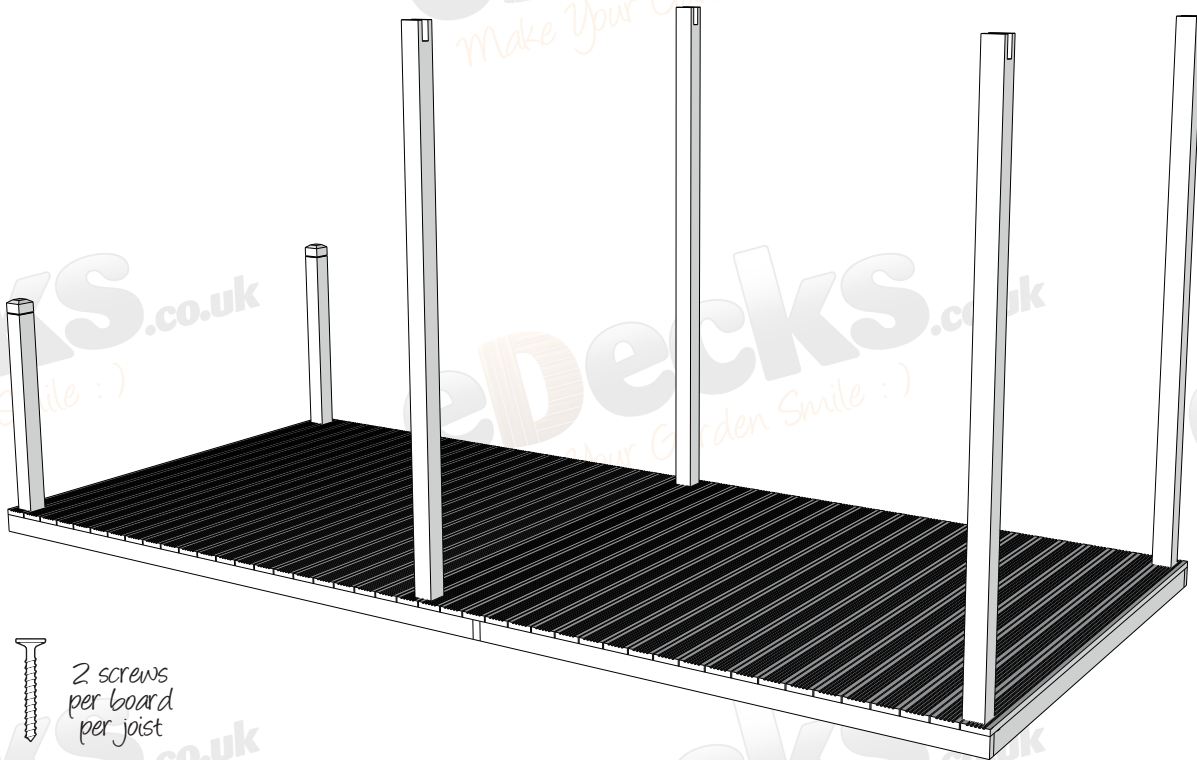
Step 3

INSTALL DECKING BOARDS

Decking boards should fit exactly to the frame, working in the opposite direction to the joist work



Cutting will be required around the posts & newels



2 screws per board per joist

Dont forget to check your work with a level as you go!

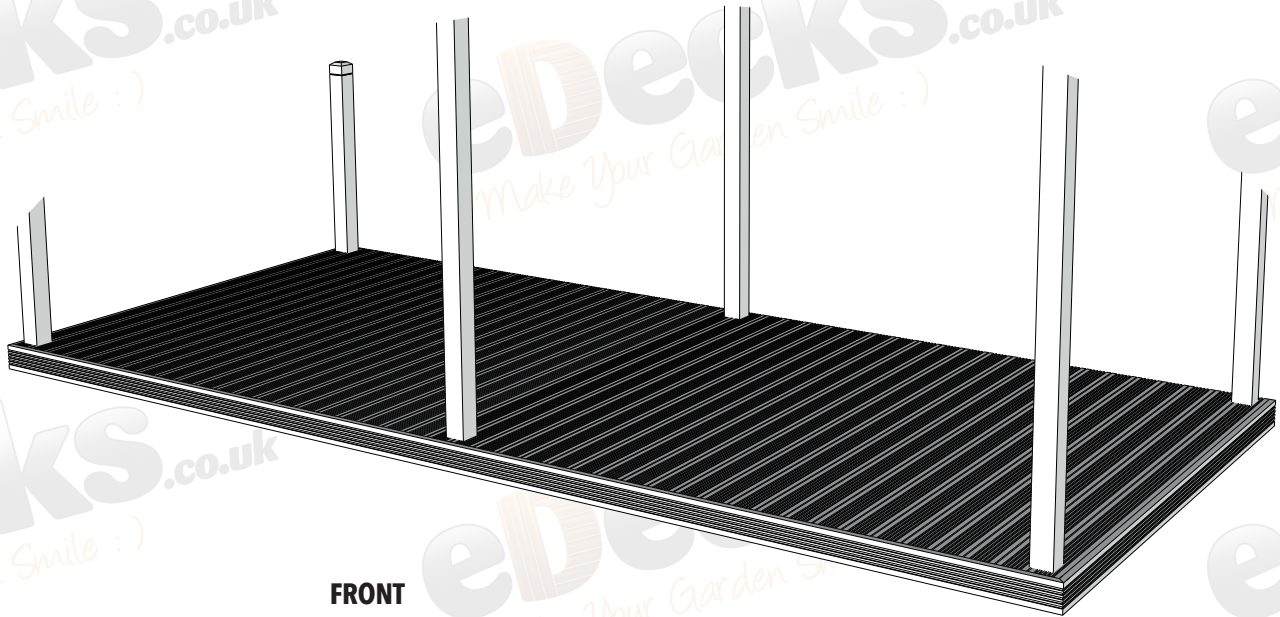
Page 3 of 9

All images are for illustration only, Please see individual item listings for actual item specifications

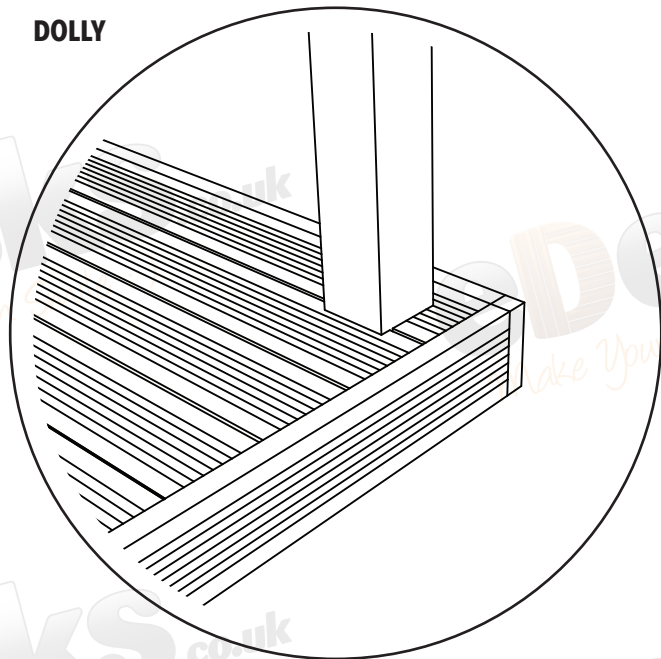
Step 3a (optional)

INSTALL FASCIA BOARDS

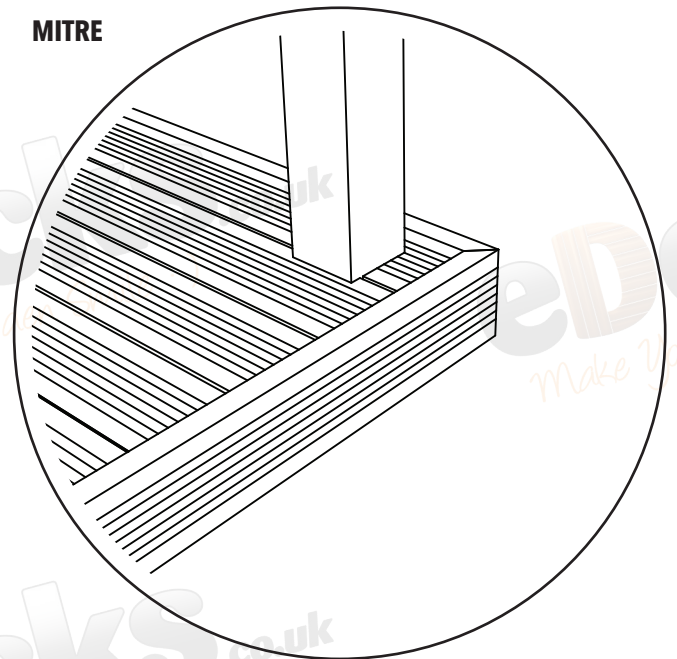
If you require fascia boards for your kit, please see the related items



DOLLY



MITRE



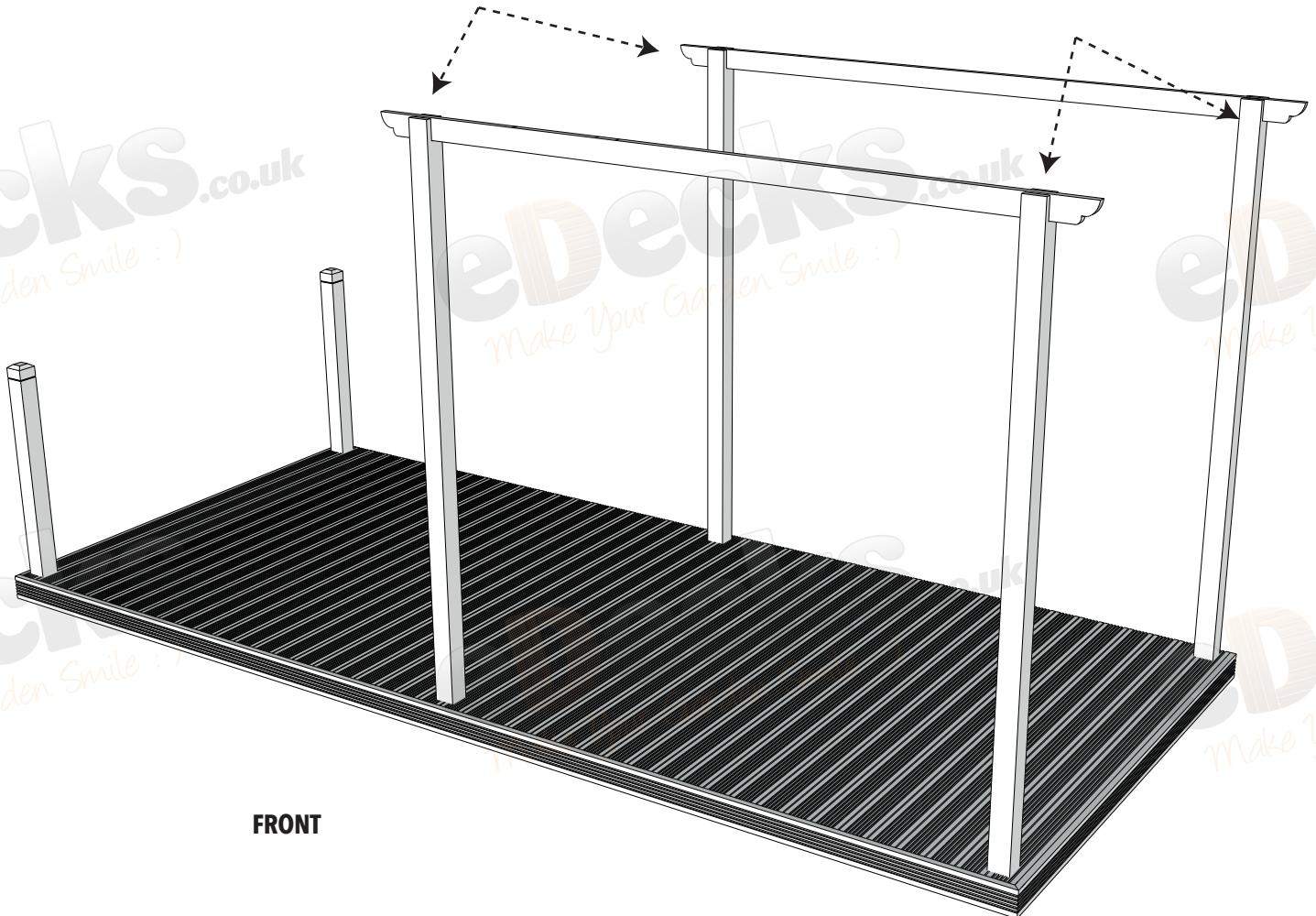
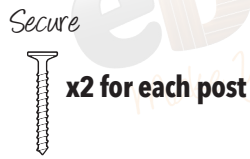
Dont forget to check your work with a level as you go!



Step 4

INSTALL SUPORT RAFTERS

First secure the 2 supporting rafters to the posts.
Using 2 8x3" screws per post to secure / strengthen



FRONT

Dont forget to check your work with a level as you go!

Page 5 of 9

All images are for illustration only, Please see individual item listings for actual item specifications

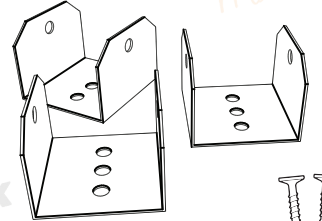


Step 5

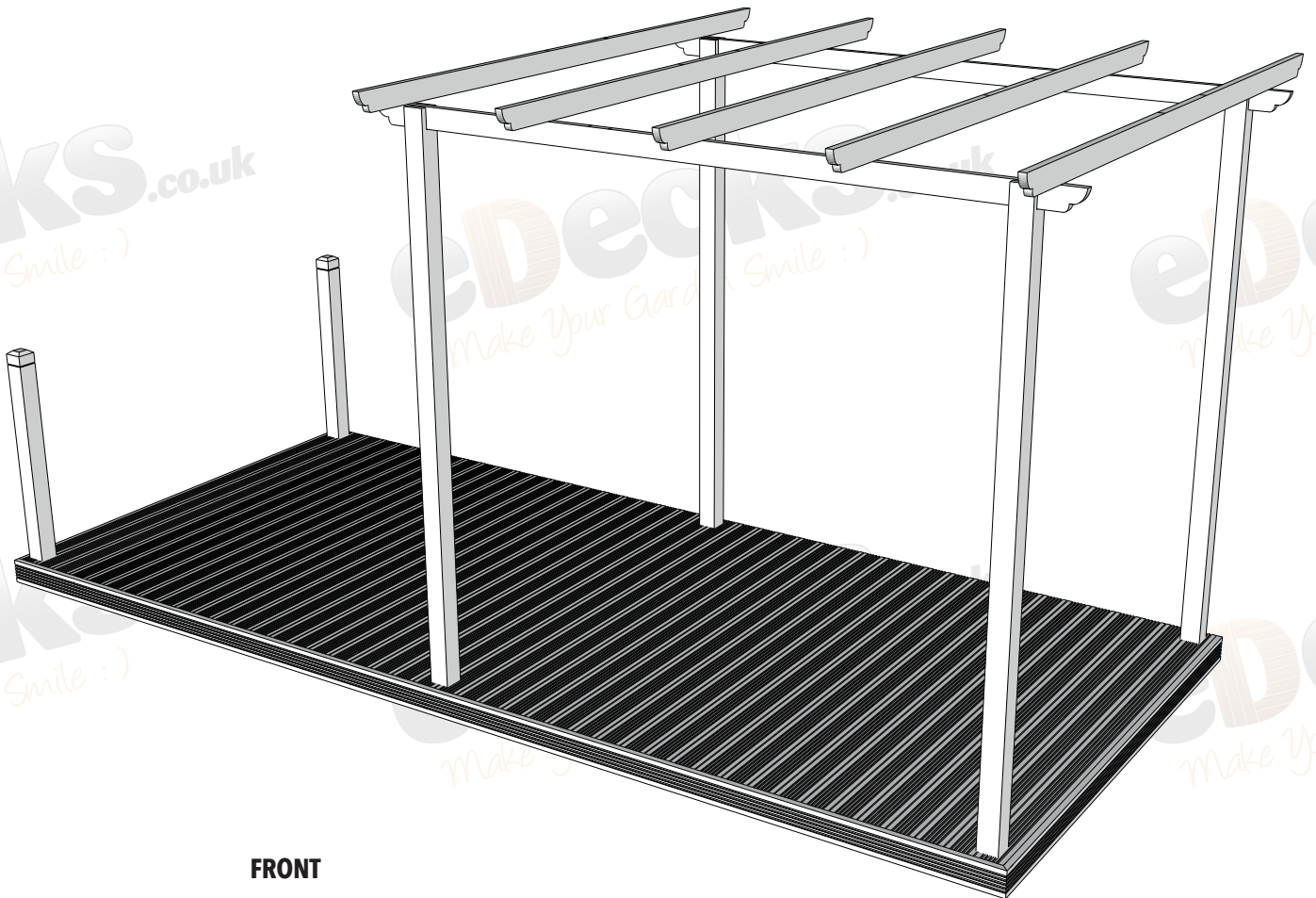
INSTALL RAFTERS

Space the remainder of the rafters equally across the top of the support rafters

Using the Pergola Clips provided with your kit to secure



4 screws per clip



FRONT

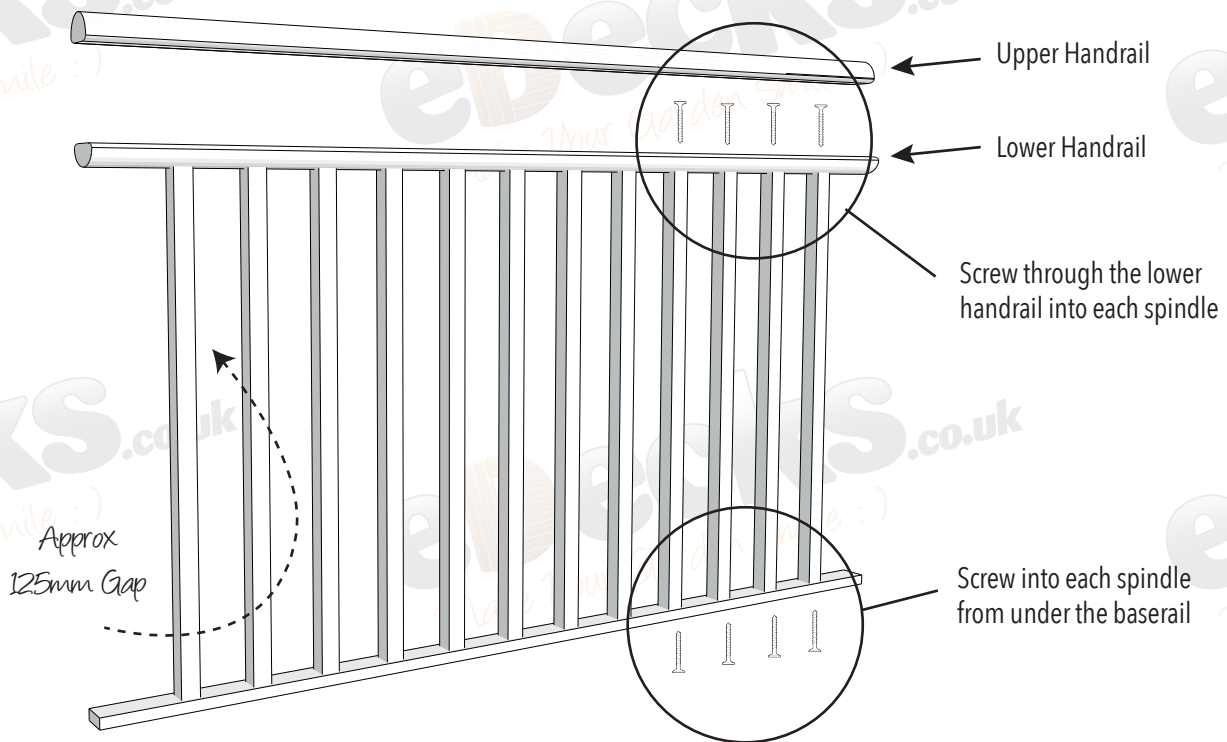
Dont forget to check your work with a level as you go!

Step 6

HANDRAIL SYSTEM

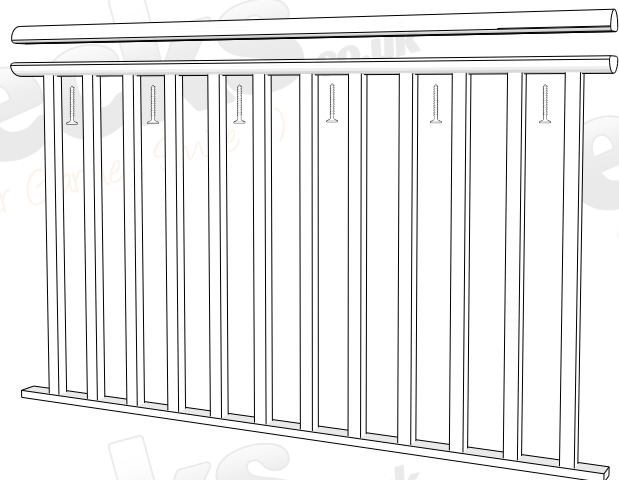
Pre-Building the spindles and handrails is the next step.

Accurately measure between pergola posts and cut the hand and base rails accordingly, there should be a 125mm gap between each spindle



Then complete the handrail section by fixing the upper part of the handrail to the lower part of the handrail

Do this by screwing up through the underside of the lower handrail into the top part of the handrail

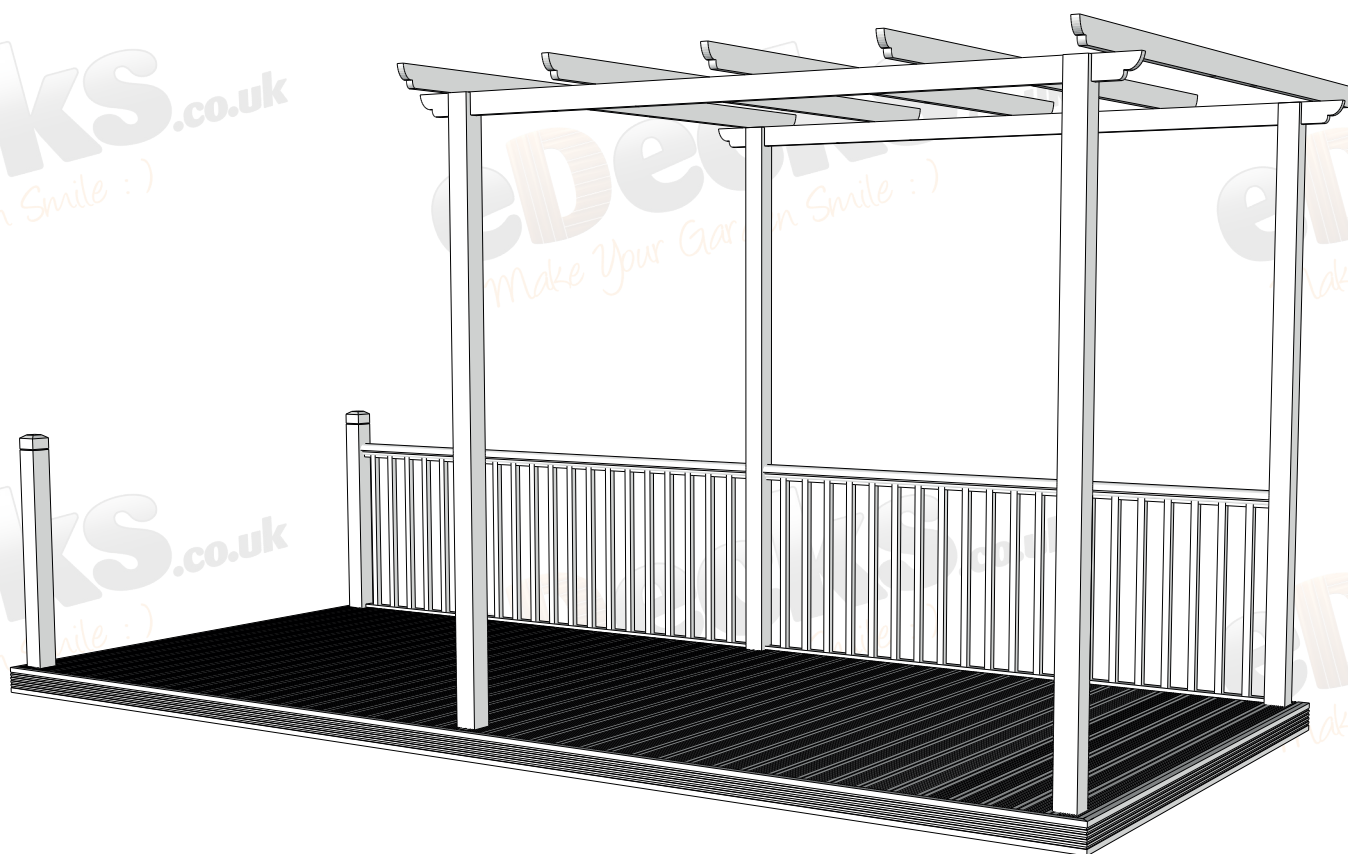
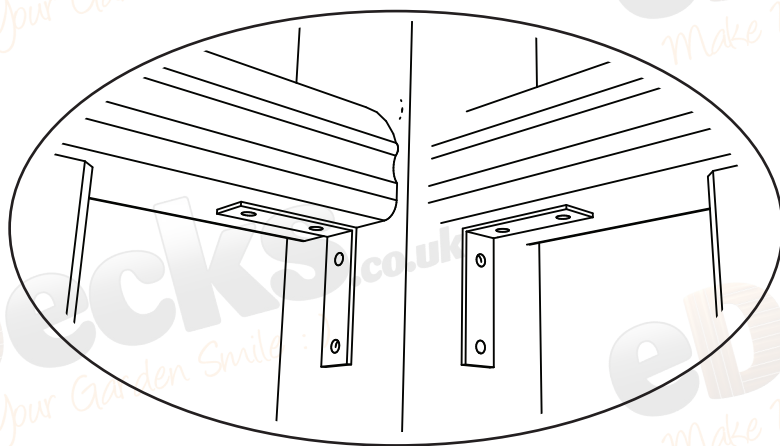


Dont forget to check your work with a level as you go!

Step 6 Cont'd

HANDRAIL SYSTEM

Once your handrail sections are complete - using the angle brackets included, please proceed to install to the handrail sections to your kit.

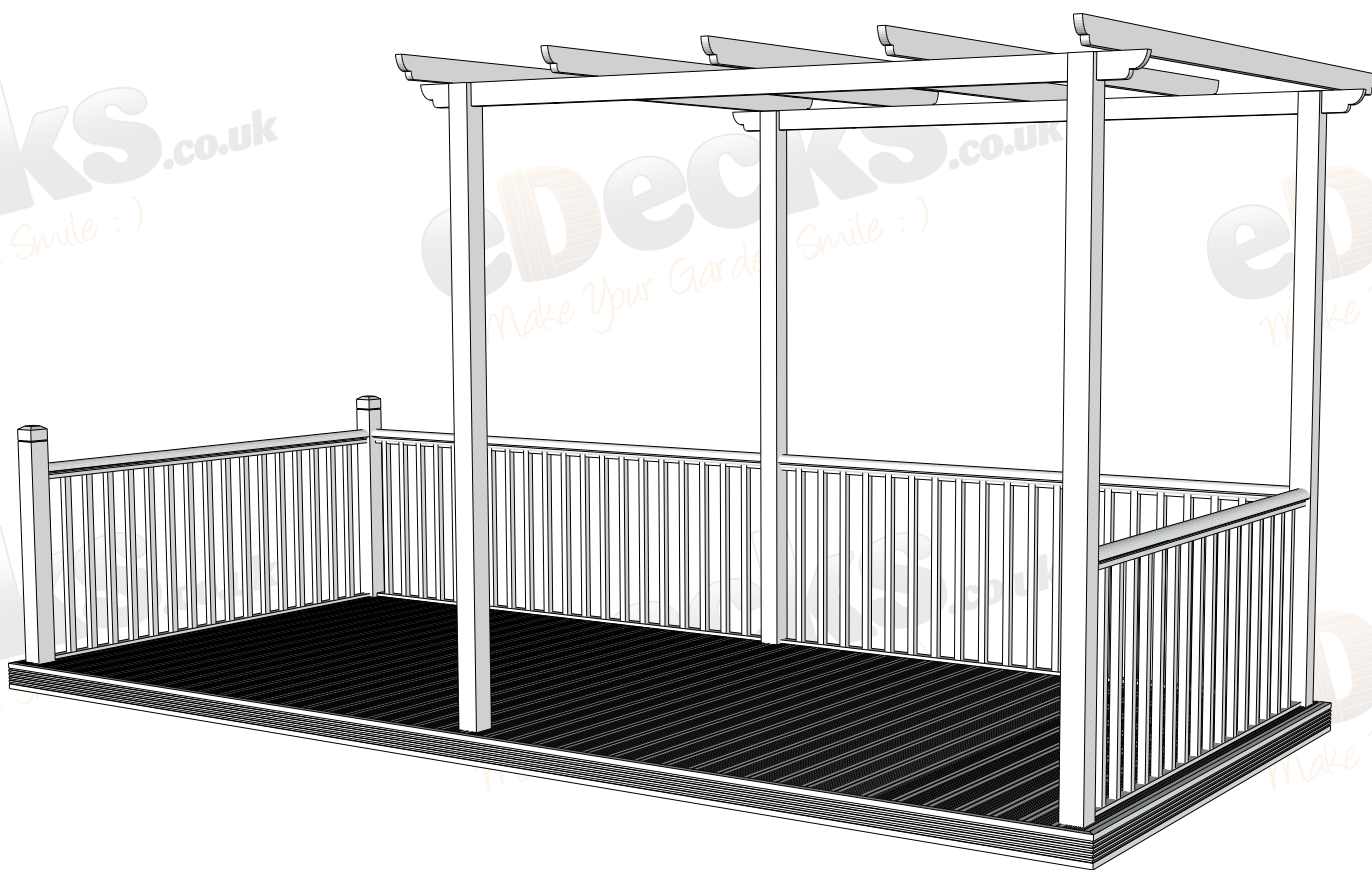


Once this is complete - Sit back and enjoy!

Step 7

FINISH!

This is an example of the finished pergola.



Once this is complete - Sit back and enjoy!

Page 9 of 9

All images are for illustration only, Please see individual item listings for actual item specifications