

# Queen Mary Fitting Instructions

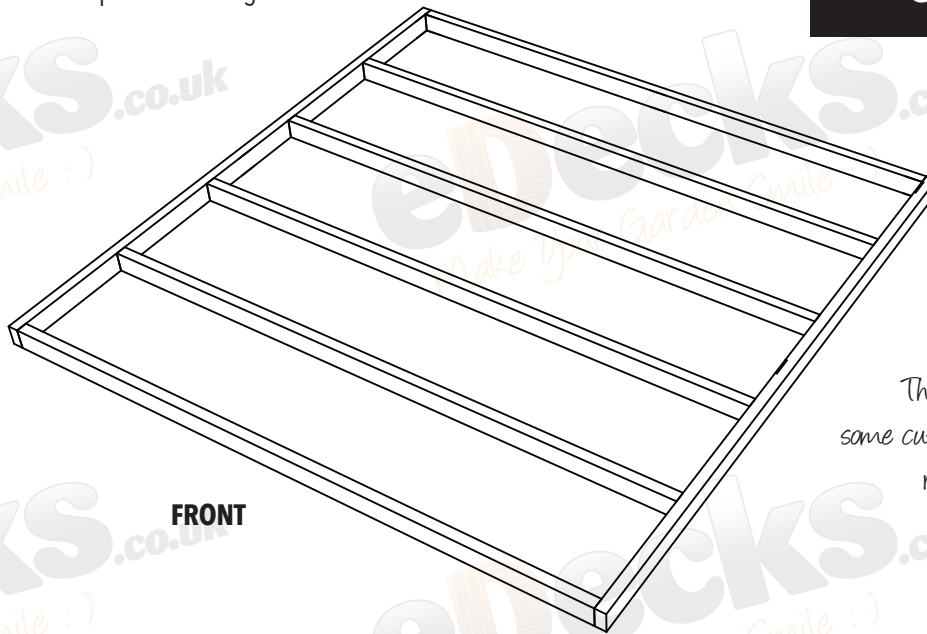


## Step 1

### LAY YOUR FRAME

This is an example of a decking frame

**FRAME TO BE LAID ONTO  
PAVING SLABS, OR ONTO  
GRASS OR SOIL**

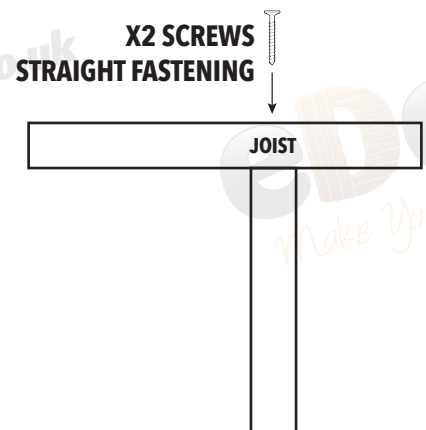
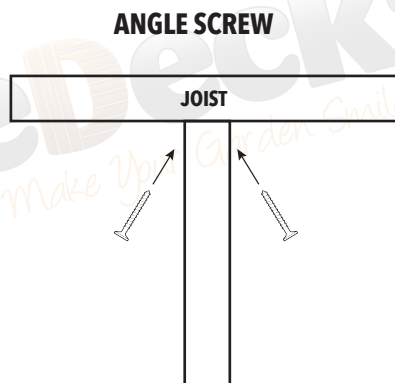
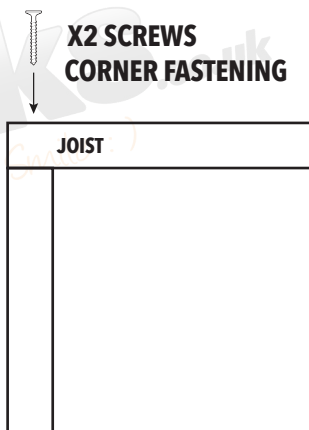


This may require  
some cutting to fit your size  
requirements

Using the decking joists provided in the kit build the perimeter first then evenly spread the remaining decking joists inside as shown in the example above.

Use the joist screws provided in your fixing kit to secure the timbers as per method below.

### METHOD FOR SCREWING JOISTS



JOISTS TOP VIEW

Please make sure the frame fits the requirements for your chosen kit.

**Dont forget to check your work with a level as you go!**

## Step 2

### FITTING THE PERGOLA POSTS & NEWELS

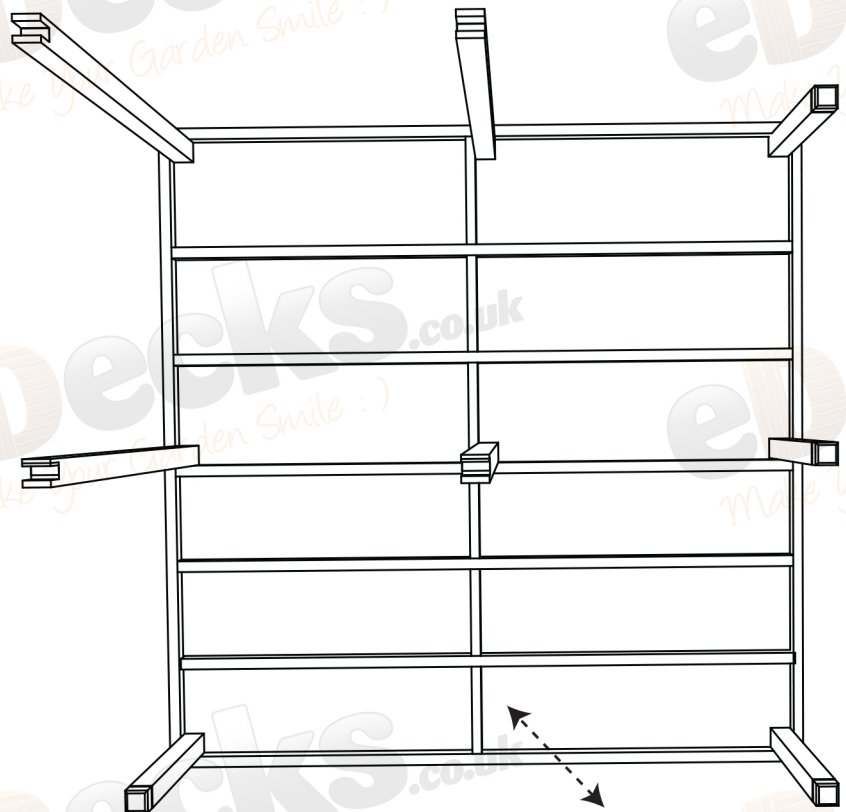
You are supplied with pergola posts and newels. Accounting for the post sitting flush with the bottom of the base please select how high you would like the pergola posts, please cut accordingly.

Each Pergola Post needs securing in each corner and depending on the size of the kit posts may need fitting in between.

Install posts your kit begins to look like the below...

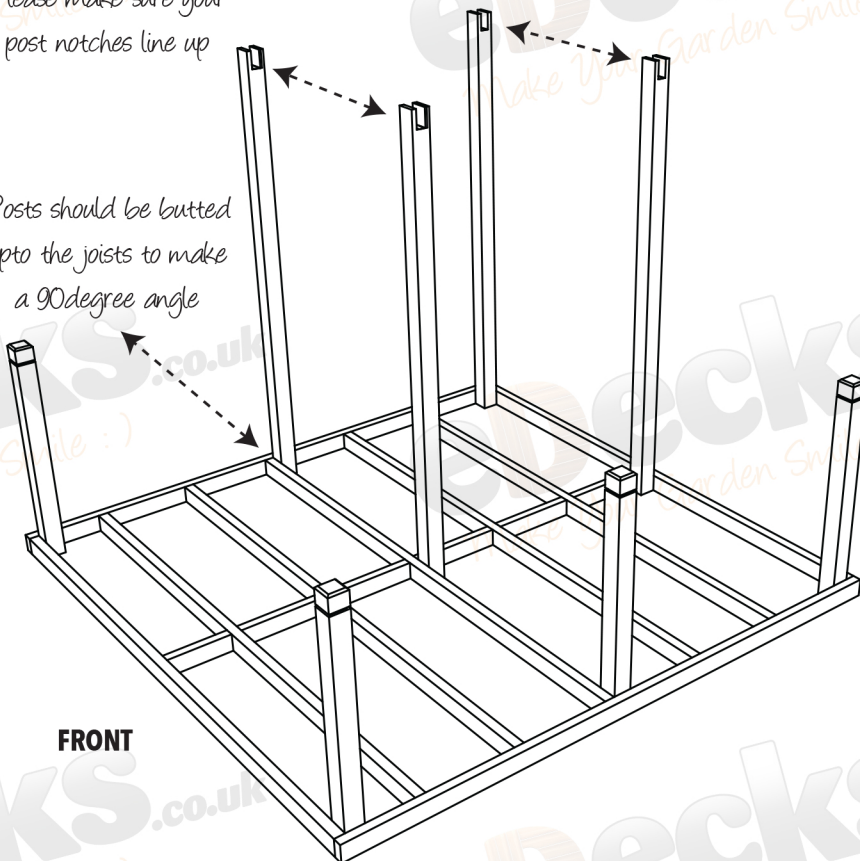
Please make sure your post notches line up

Posts should be butted upto the joists to make a 90degree angle



FRONT

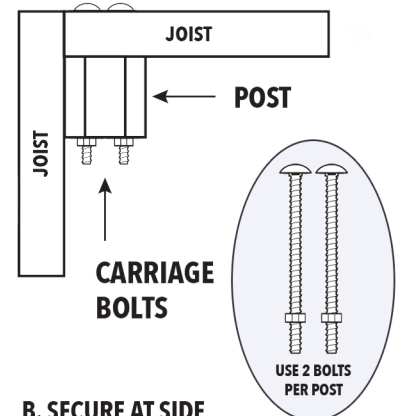
Cut shorter joists to fit between the horizontal full lengths



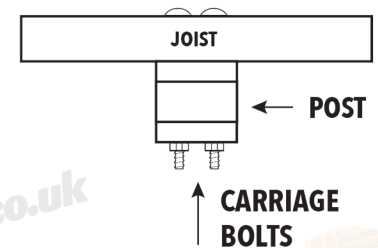
FRONT

Dont forget to check your work with a level as you go!

#### A. SECURE AT CORNER



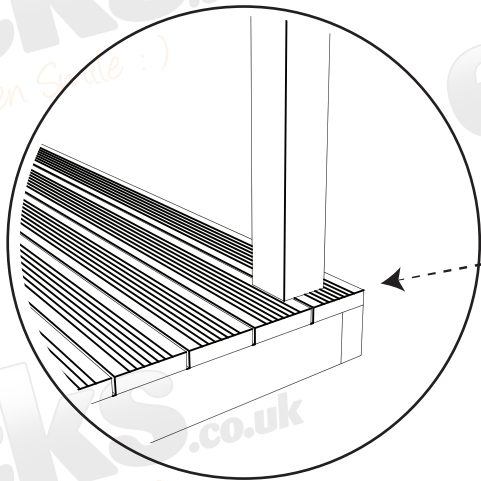
#### B. SECURE AT SIDE



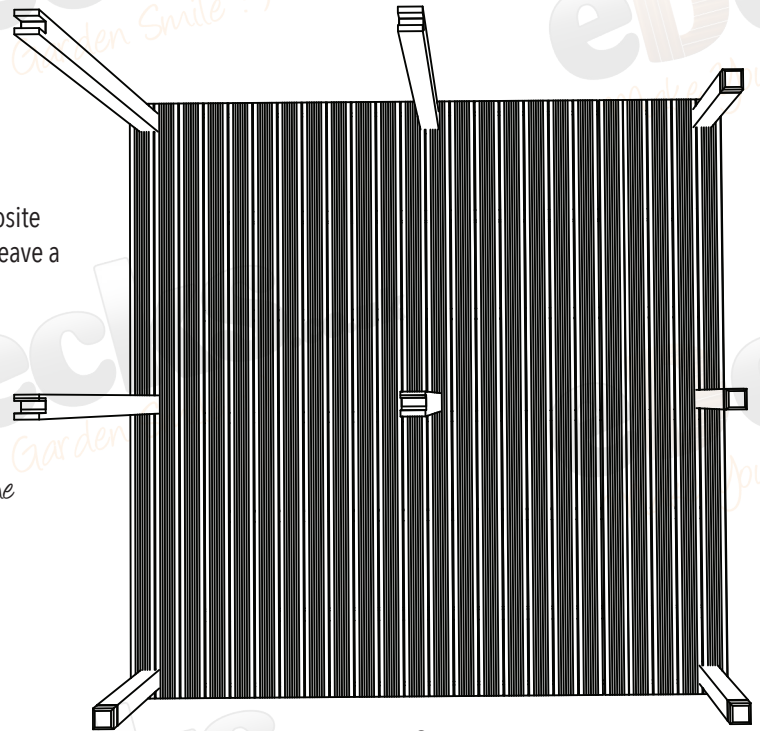
## Step 3

### INSTALL DECKING BOARDS

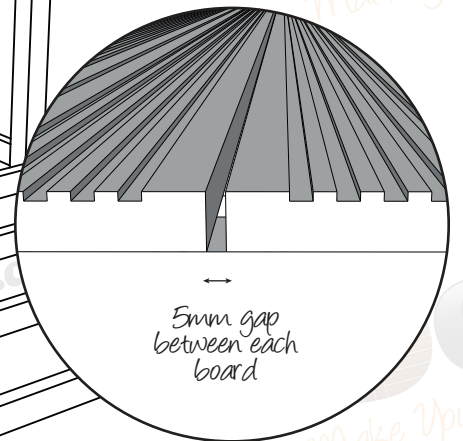
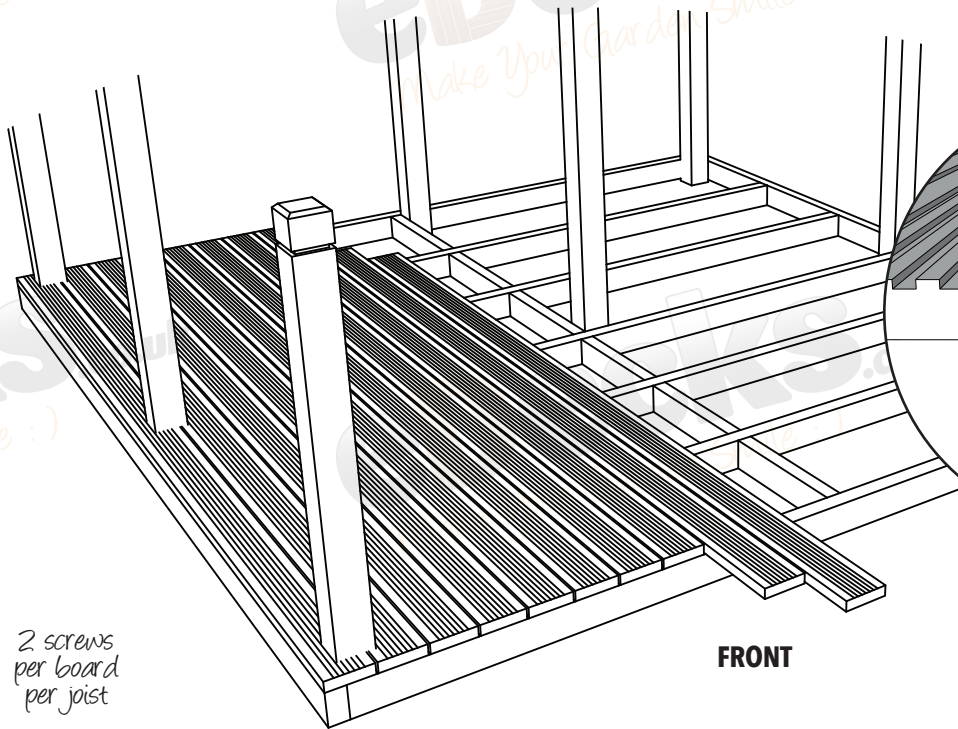
Decking boards should fit exactly to the frame, working in the opposite direction to the joist work, when laying the boards make sure you leave a 5mm gap between each board to allow room for expansion.



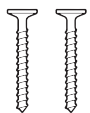
Cutting will be required around the posts & newels



FRONT



5mm gap between each board



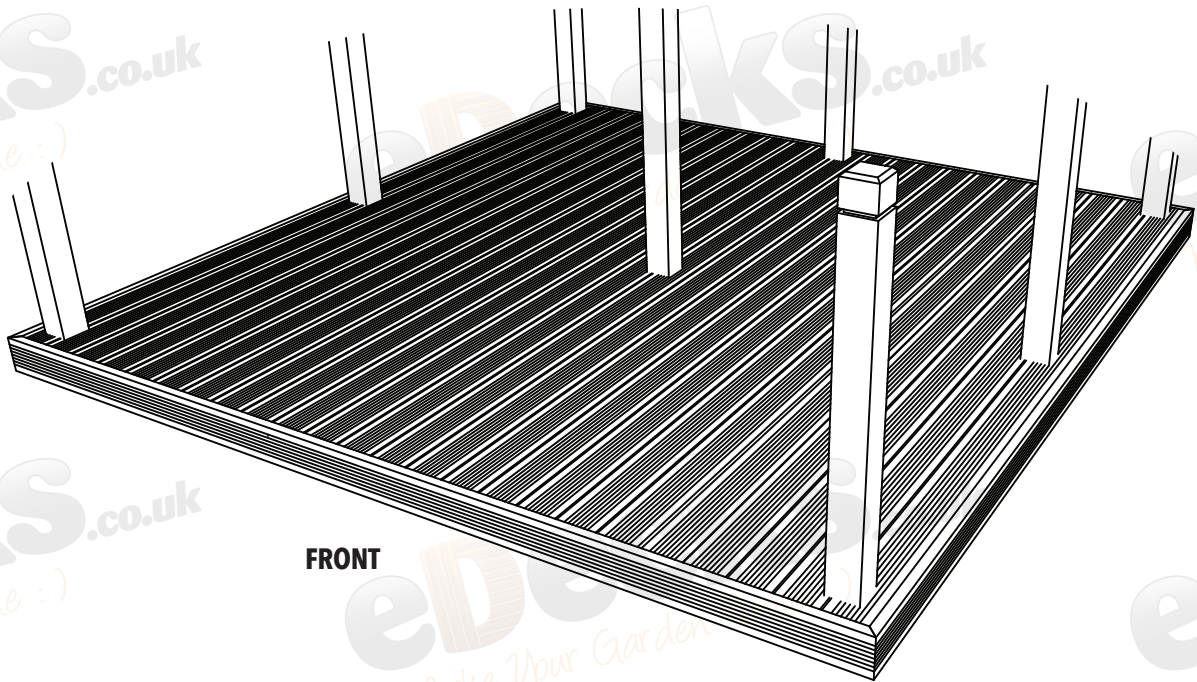
2 screws per board per joist

FRONT

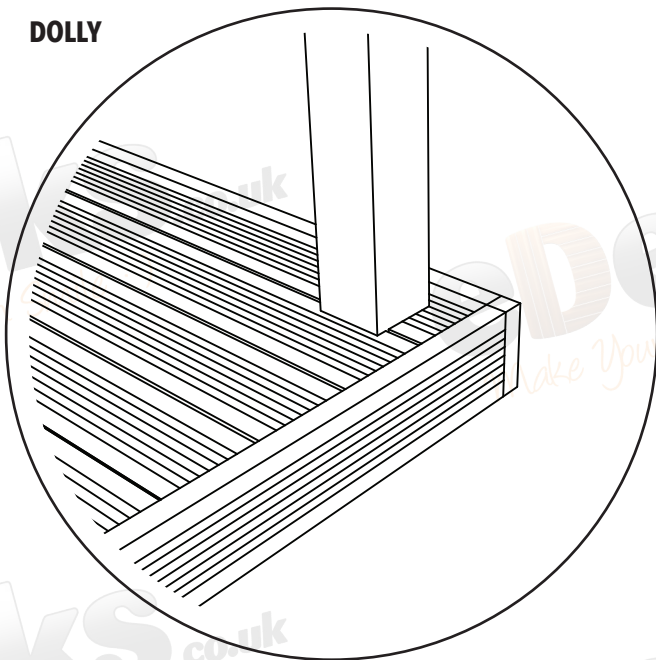
Dont forget to check your work with a level as you go!

## Step 3a

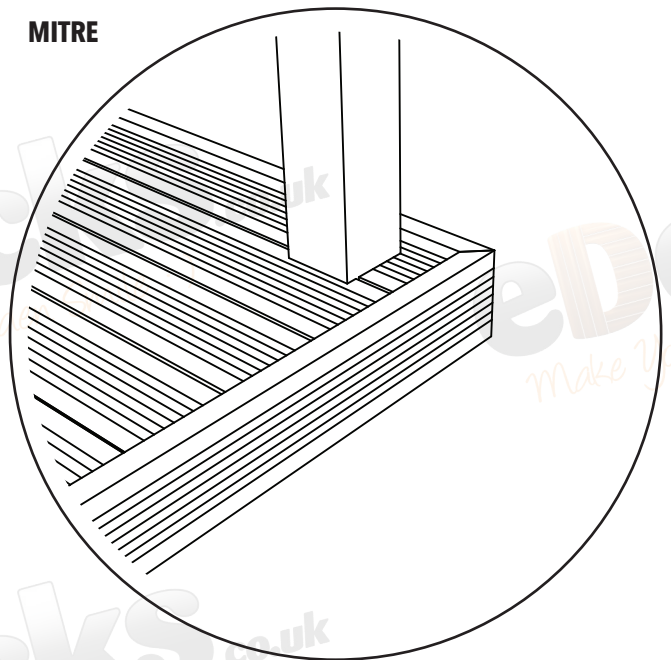
### INSTALL FASCIA BOARDS



DOLLY



MITRE

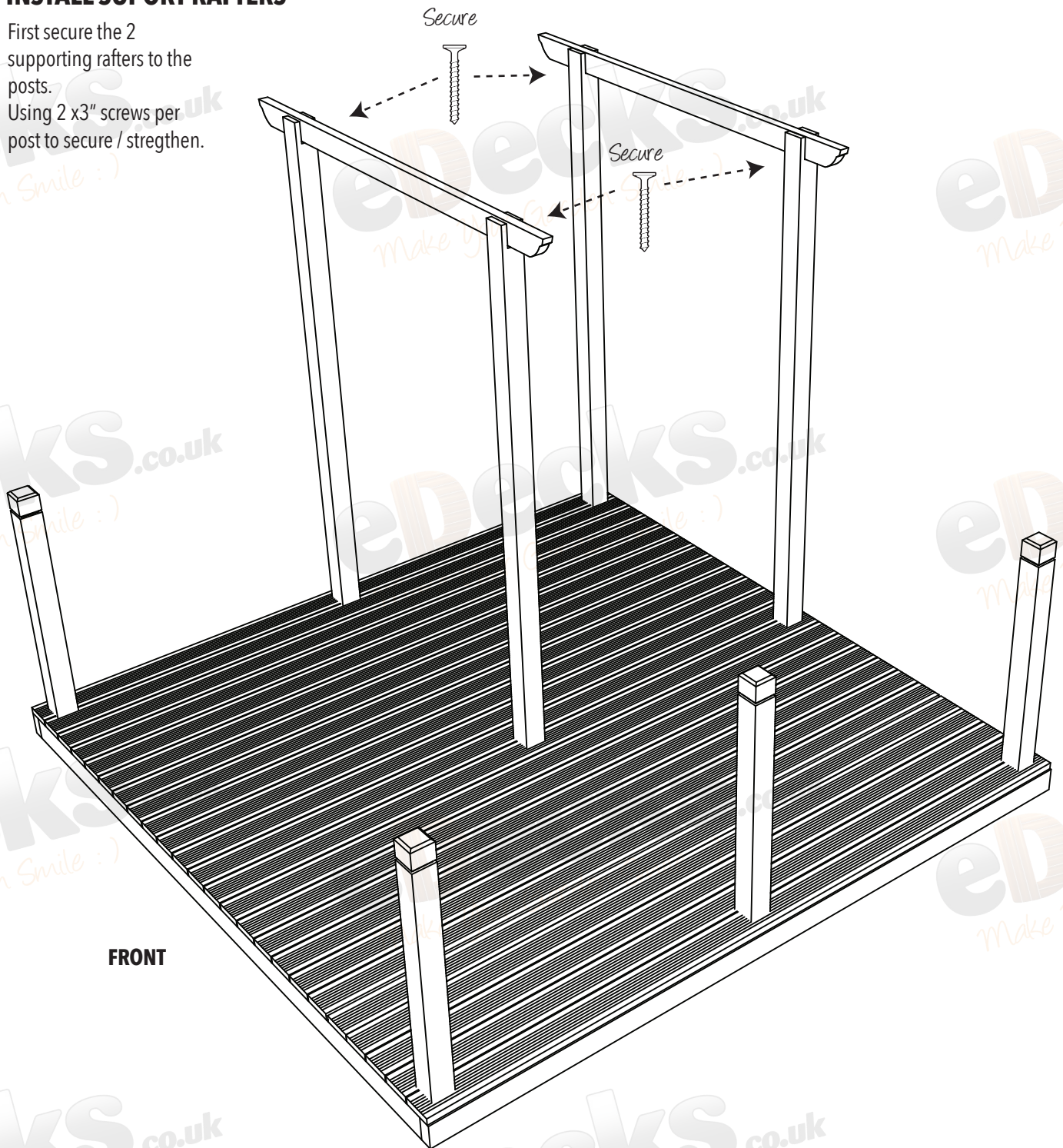


Dont forget to check your work with a level as you go!

## Step 4

### INSTALL SUPORT RAFTERS

First secure the 2 supporting rafters to the posts.  
Using 2 x3" screws per post to secure / stregthen.



**Dont forget to check your work with a level as you go!**

**Page 5 of 8**

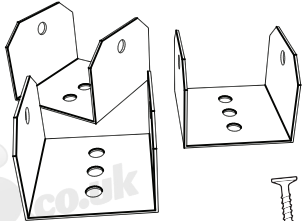
All images are for illustration only, Please see individual item listings for actual item specifications

## Step 5

### INSTALL RAFTERS

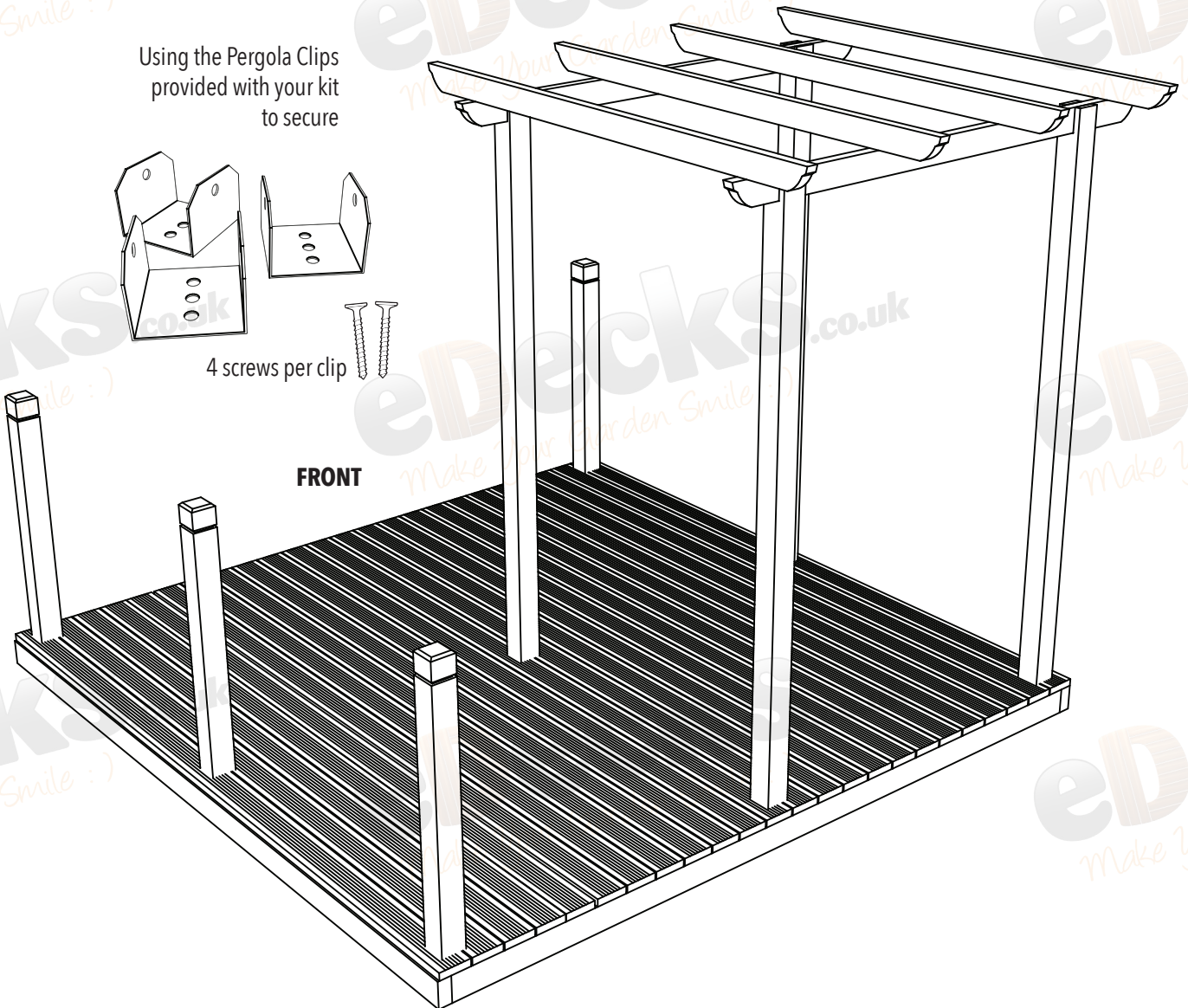
Space the remainder of the rafters equally across the top of the support rafters.

Using the Pergola Clips provided with your kit to secure



4 screws per clip

FRONT

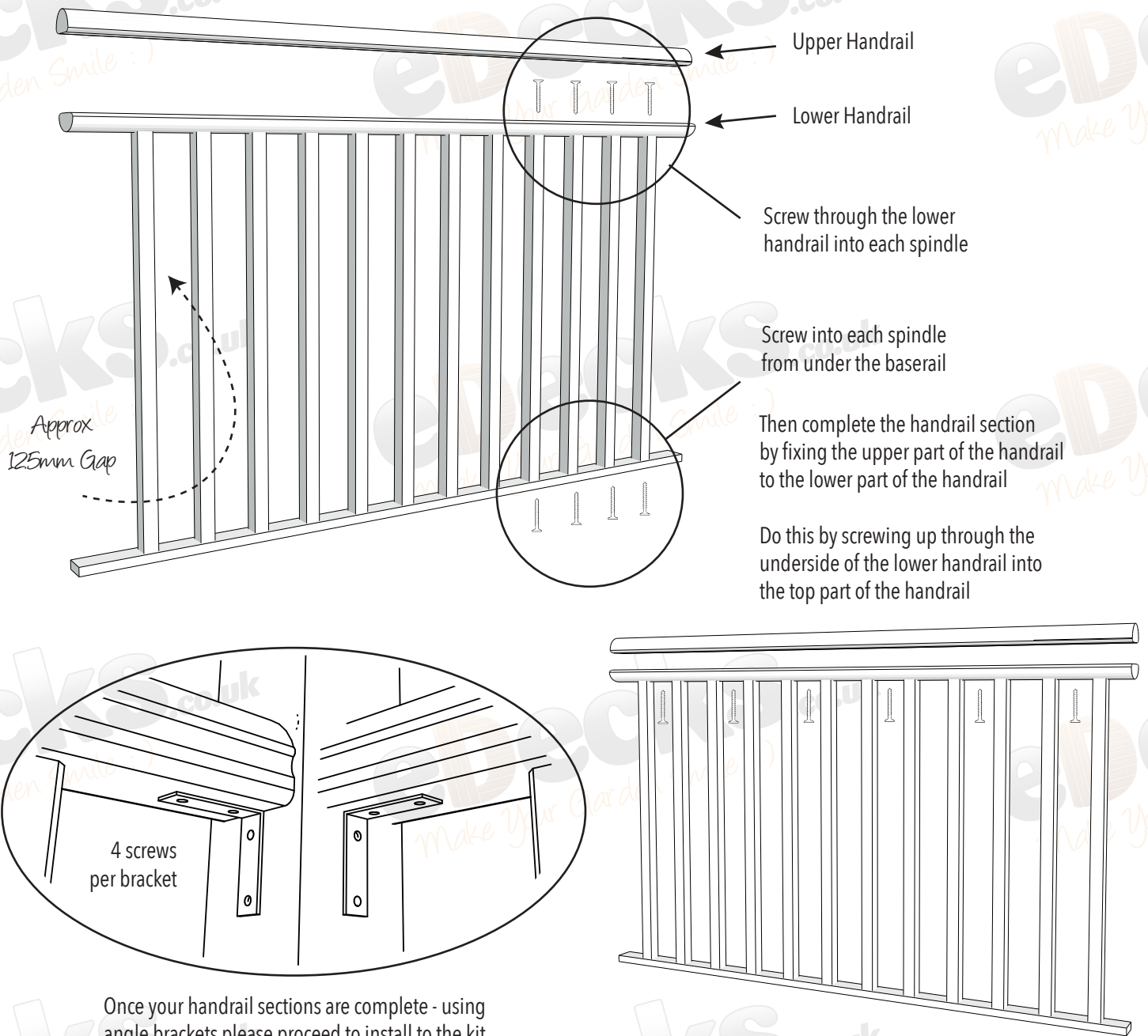


Dont forget to check your work with a level as you go!

## Step 6

### HANDRAIL SYSTEM

Pre-Building the spindles and handrails is the next step. Accurately measure between pergola posts and cut the hand and base rails accordingly, there should be a 125mm gap between each spindle.



Upper Handrail

Lower Handrail

Screw through the lower handrail into each spindle

Screw into each spindle from under the baserail

Then complete the handrail section by fixing the upper part of the handrail to the lower part of the handrail

Do this by screwing up through the underside of the lower handrail into the top part of the handrail

4 screws per bracket

Once your handrail sections are complete - using angle brackets please proceed to install to the kit

**Dont forget to check your work with a level as you go!**

## Step 7

### FINISH!

This is an example of the finished pergola.



Once this is complete - Sit back and enjoy!

Page 8 of 8

All images are for illustration only, Please see individual item listings for actual item specifications