

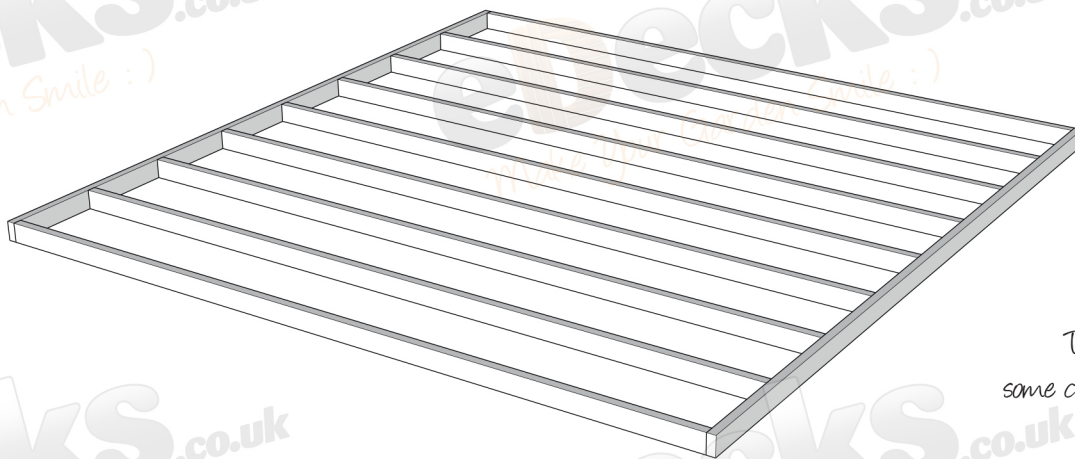


## Step 1

### LAY YOUR FRAME

This is an example of a decking frame

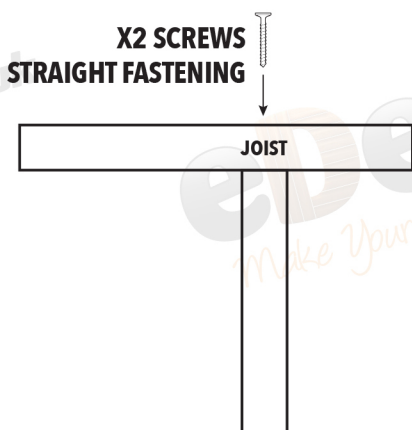
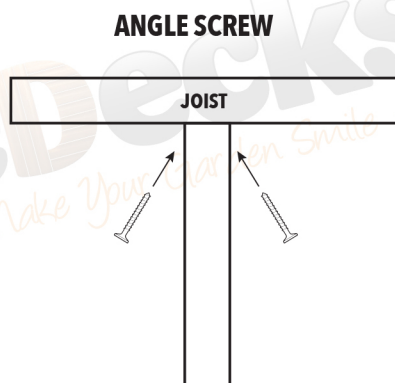
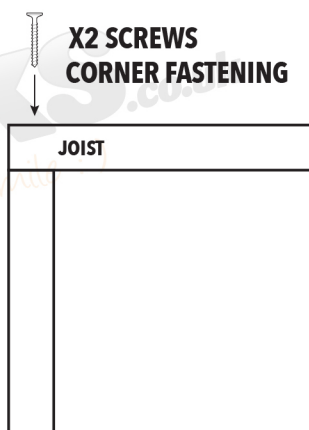
**FRAME TO BE LAID ONTO  
PAVING SLABS, OR ONTO  
GRASS OR SOIL**



This may require  
some cutting to fit your size  
requirements

Using the decking joists provided in the kit build the perimeter first then evenly spread the remaining decking joists inside as shown in the example above.  
Use the joist screws provided in your fixing kit to secure the timbers as per method below.

### METHOD FOR SCREWING JOISTS



### JOISTS TOP VIEW

Please make sure the frame fits the requirements for your chosen kit.  
**Don't forget to check your work with a level as you go!**

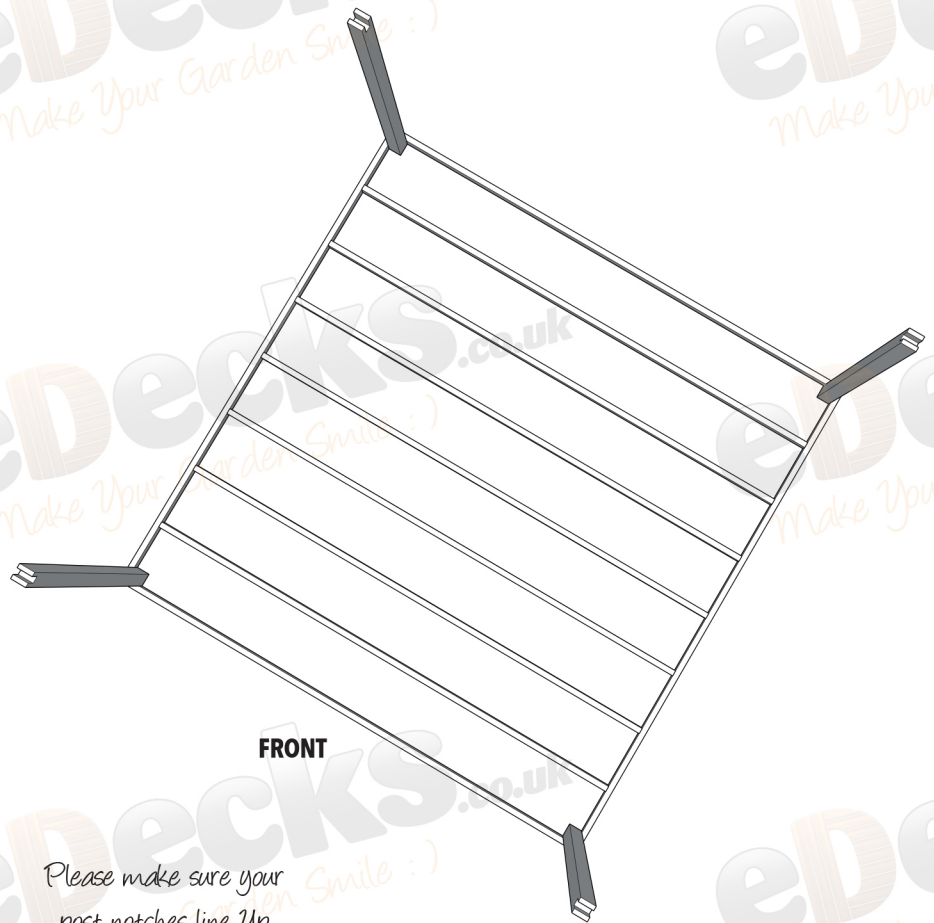


## Step 2

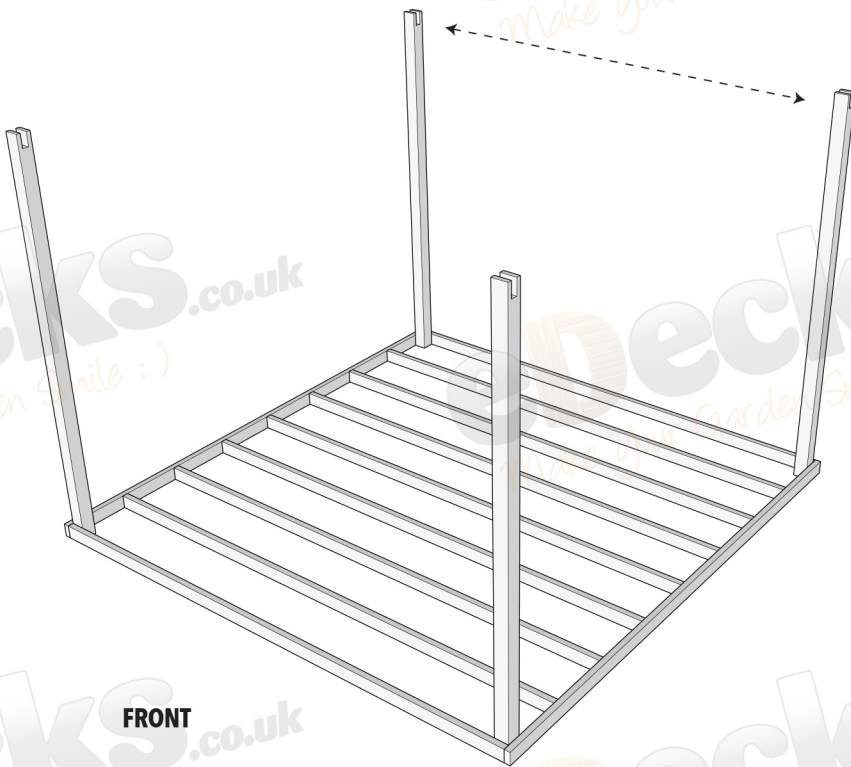
### FITTING THE PERGOLA POSTS

You are supplied with pergola posts. Accounting for the post sitting flush with the bottom of the base please select how high you would like the pergola posts, please cut accordingly.

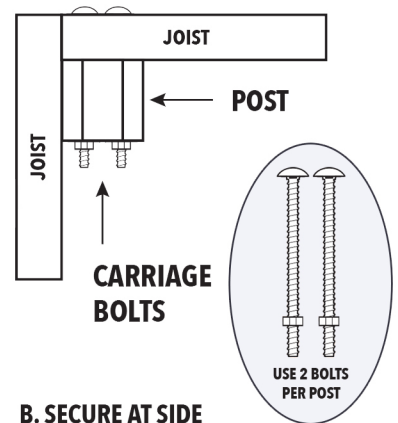
Each Pergola Post needs securing in each corner. Install posts so your kit begins to look like the below...



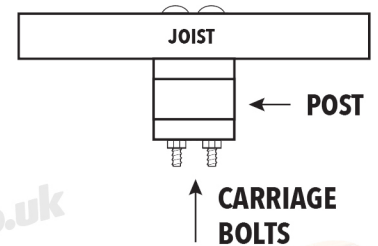
Please make sure your post notches line up



#### A. SECURE AT CORNER



#### B. SECURE AT SIDE



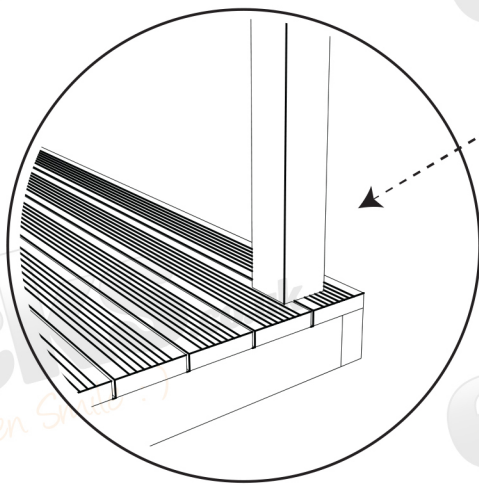
Don't forget to check your work with a level as you go!



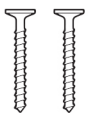
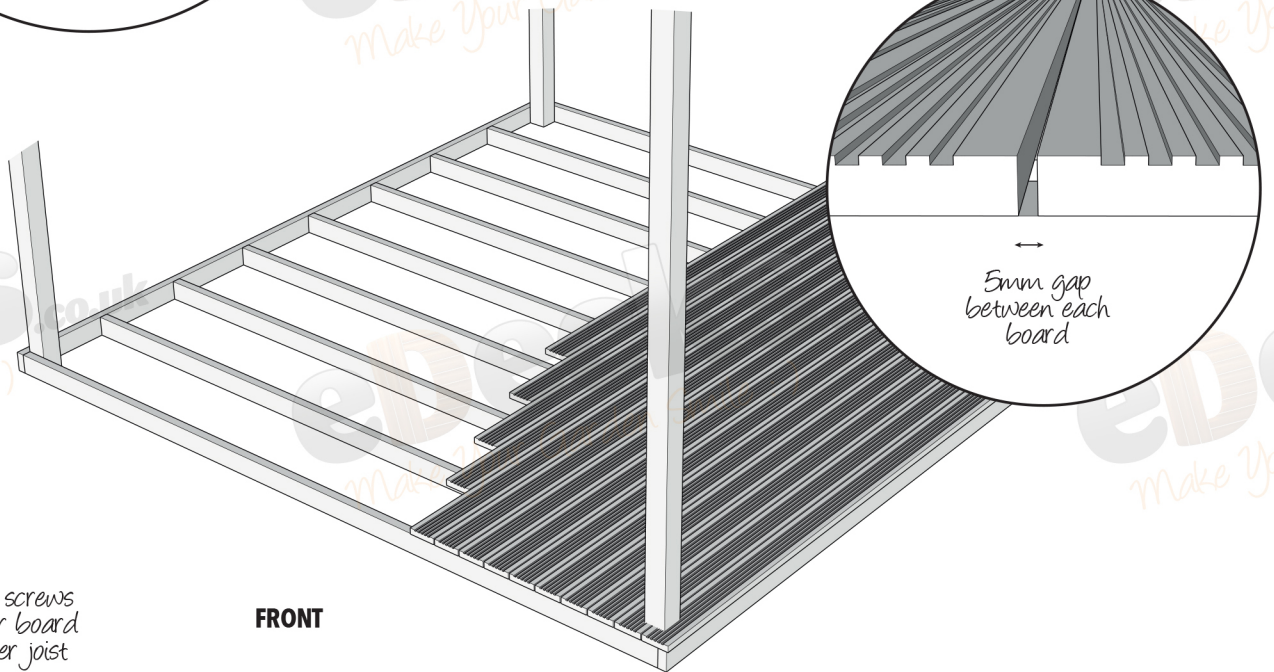
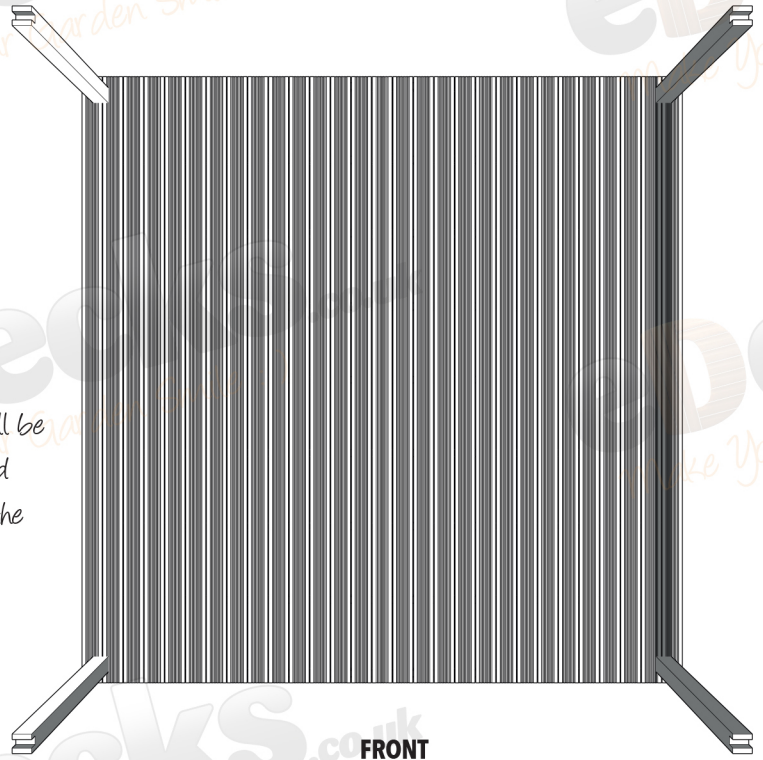
## Step 3

### INSTALL DECKING BOARDS

Decking boards should fit exactly to the frame, working in the opposite direction to the joist work, when laying the boards make sure you leave a 5mm gap between each board to allow room for expansion.



Cutting will be required around the Posts



2 screws per board per joist

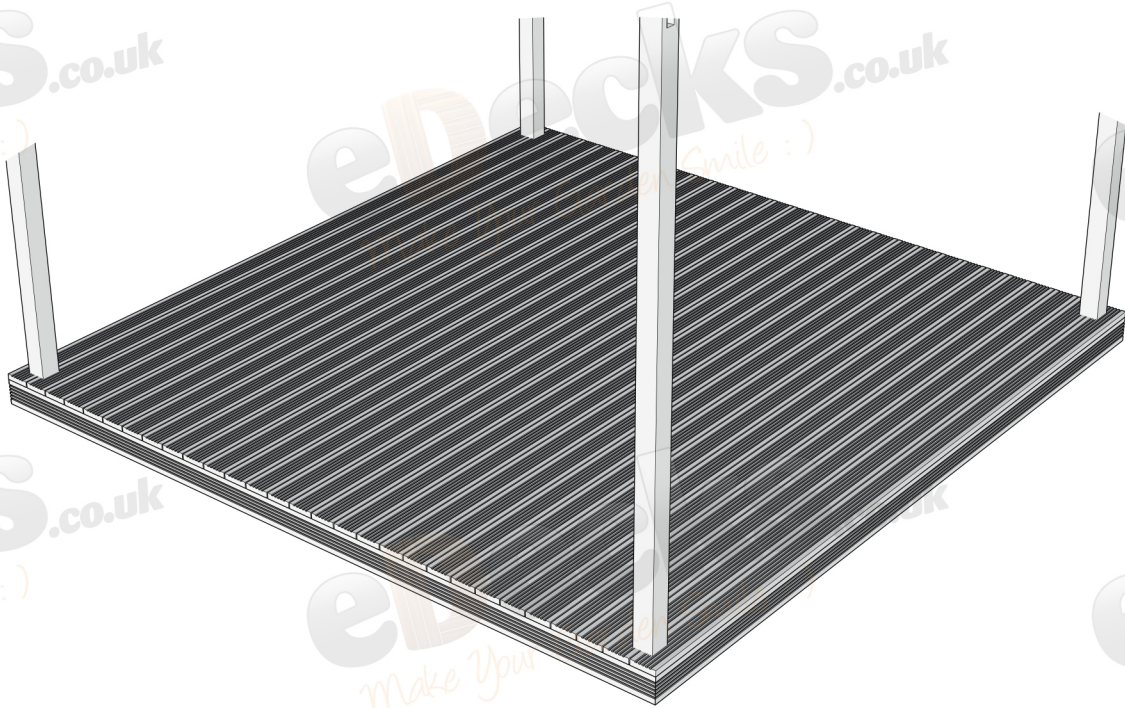
FRONT

Don't forget to check your work with a level as you go!

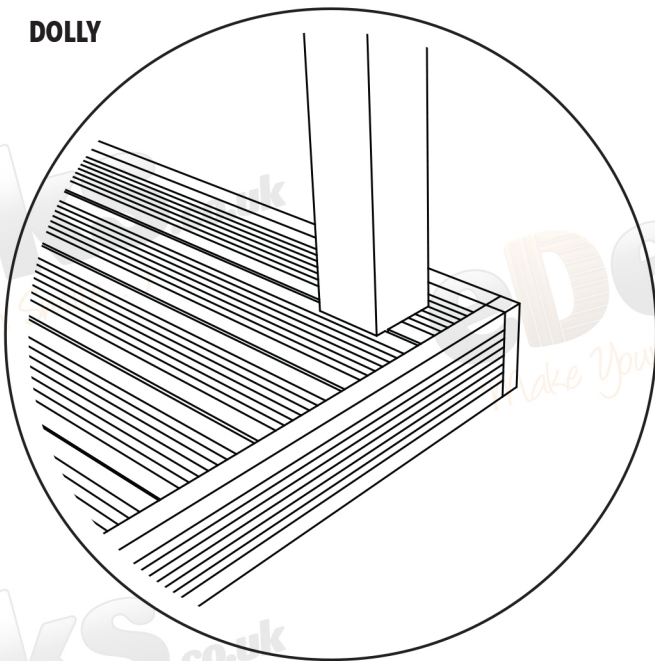
## Step 4 (optional)

### INSTALL FASCIA BOARDS

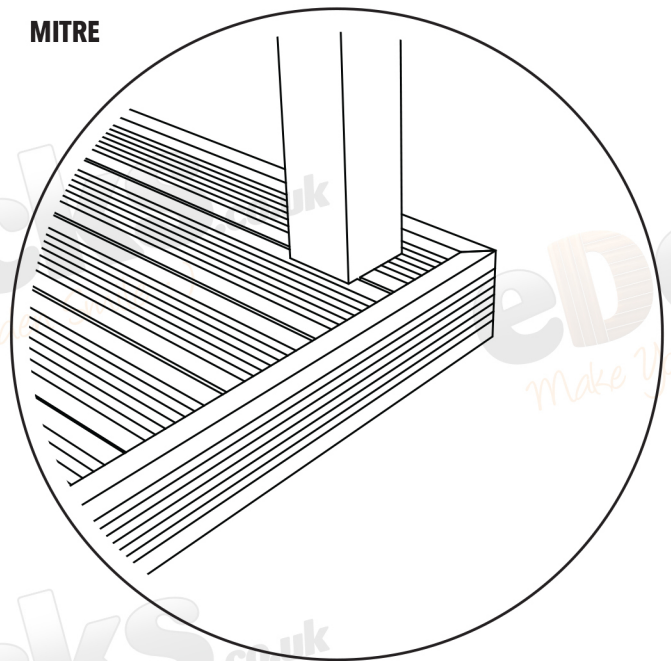
If you require fascia boards for your kit, please see the related items.



**DOLLY**



**MITRE**

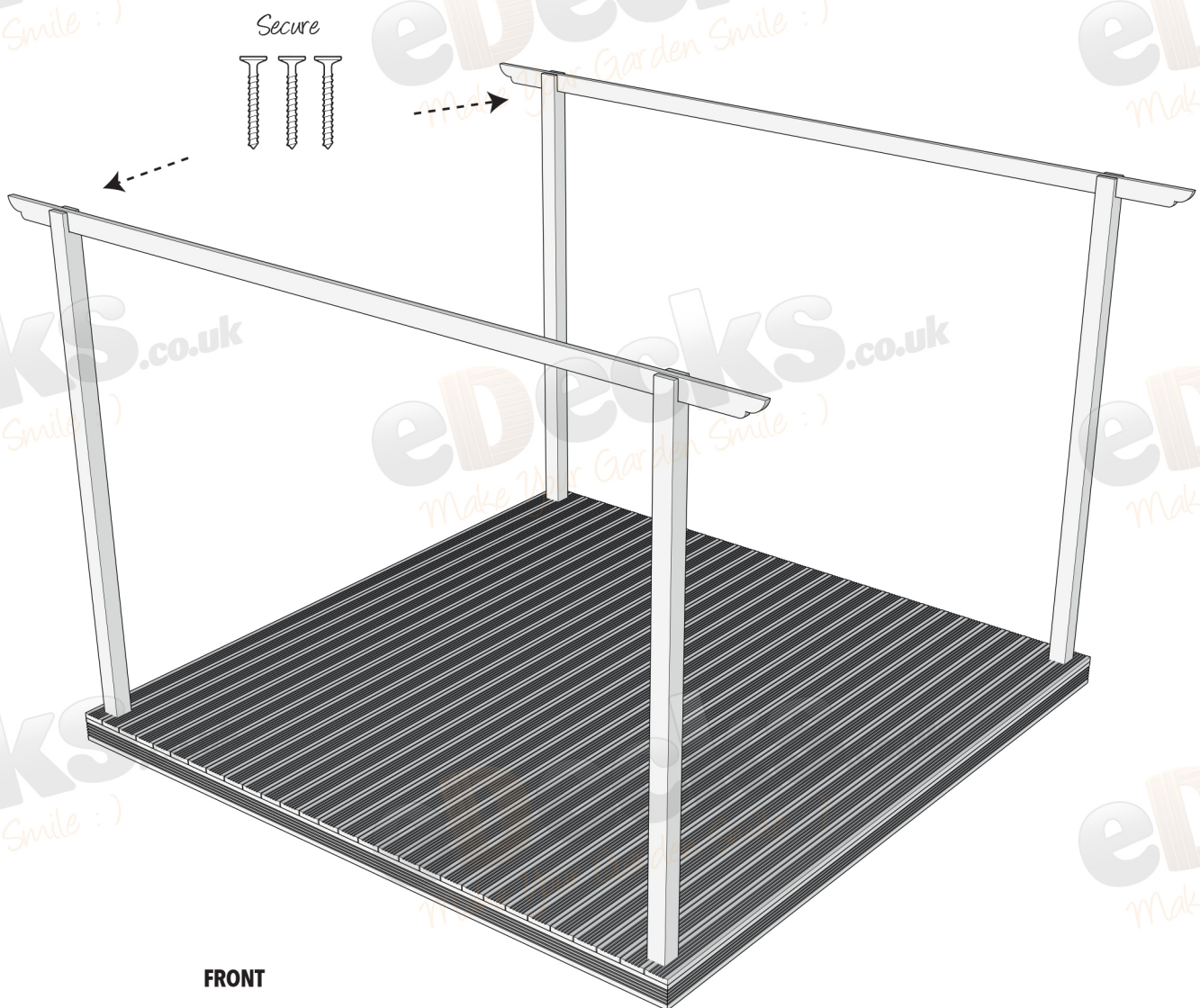


**Don't forget to check your work with a level as you go!**

## Step 5

### INSTALL SUPPORT RAFTERS

First secure the 2 supporting rafters to the posts.



Don't forget to check your work with a level as you go!

Page 5 of 8

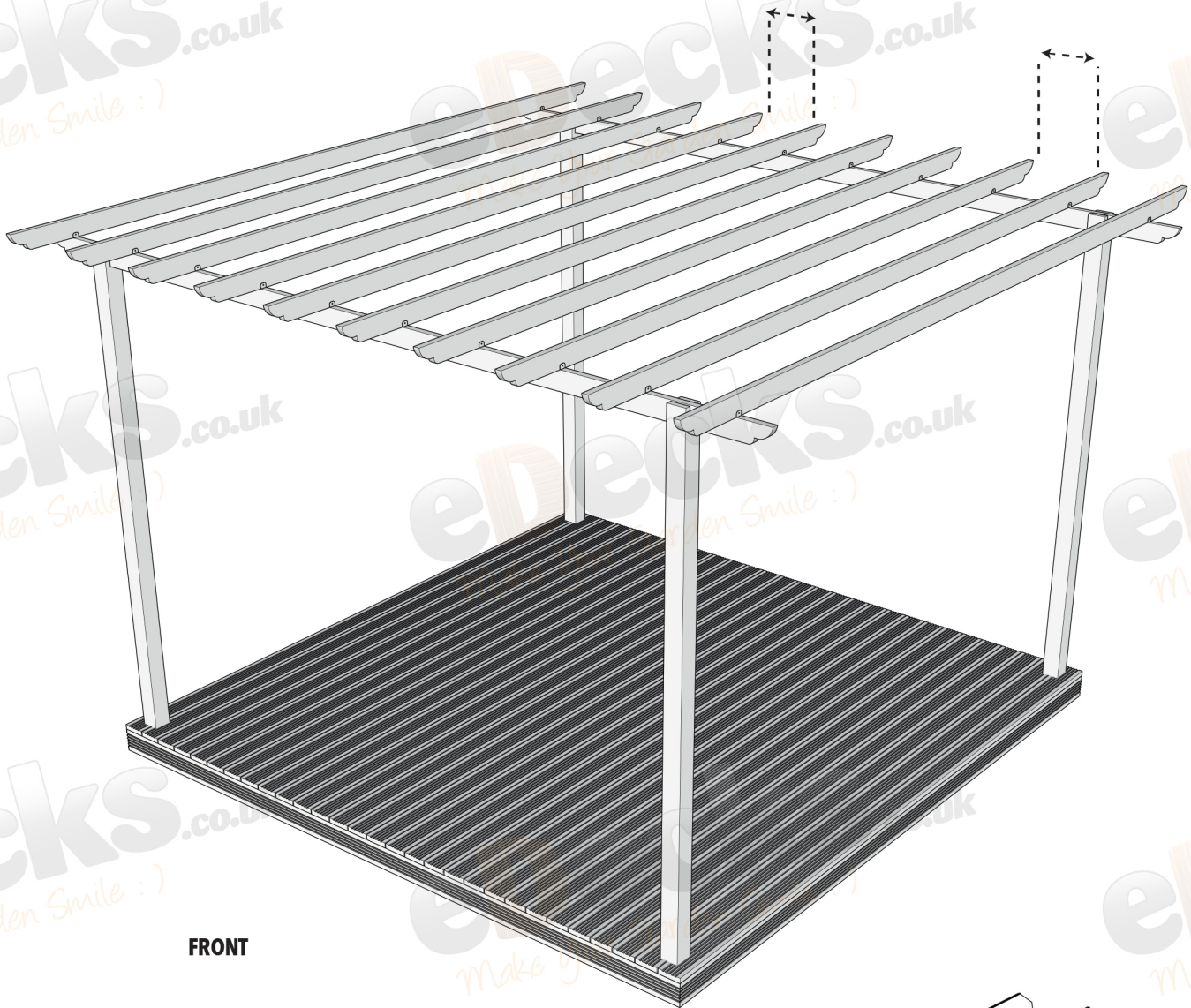
All images are for illustration only, Please see individual item listings for actual item specifications

## Step 6

### INSTALL RAFTERS

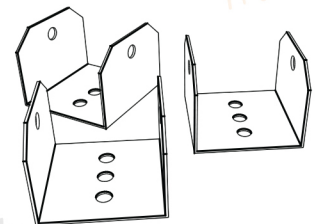
Space the remainder of the rafters across the top of the support rafters

Spacing the rafters at 450mm apart



**FRONT**

Using the Pergola Clips provided with your kit to secure



**Don't forget to check your work with a level as you go!**

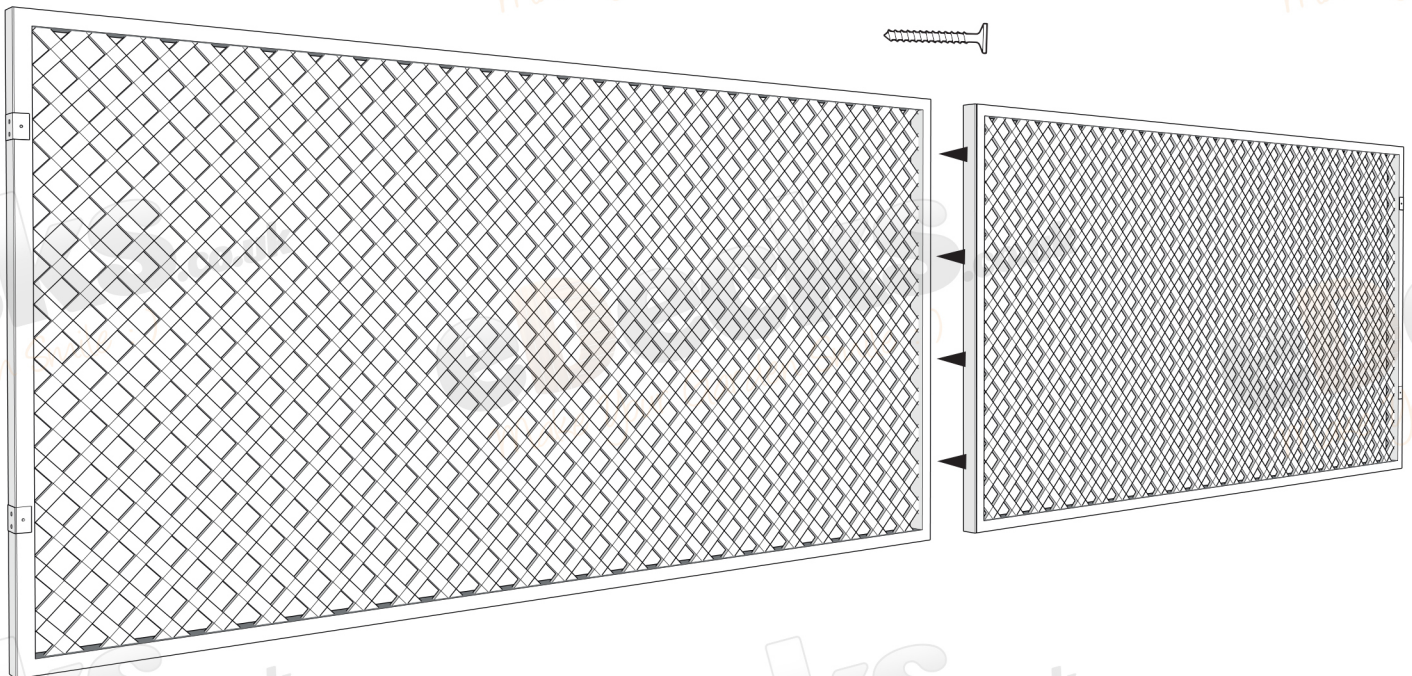
**Page 6 of 8**

All images are for illustration only, Please see individual item listings for actual item specifications

## Step 7

### PRIVACY TRELLIS

On the 3.6M Kit secure the 2 trellis panels together using screws, through from one panel to the other



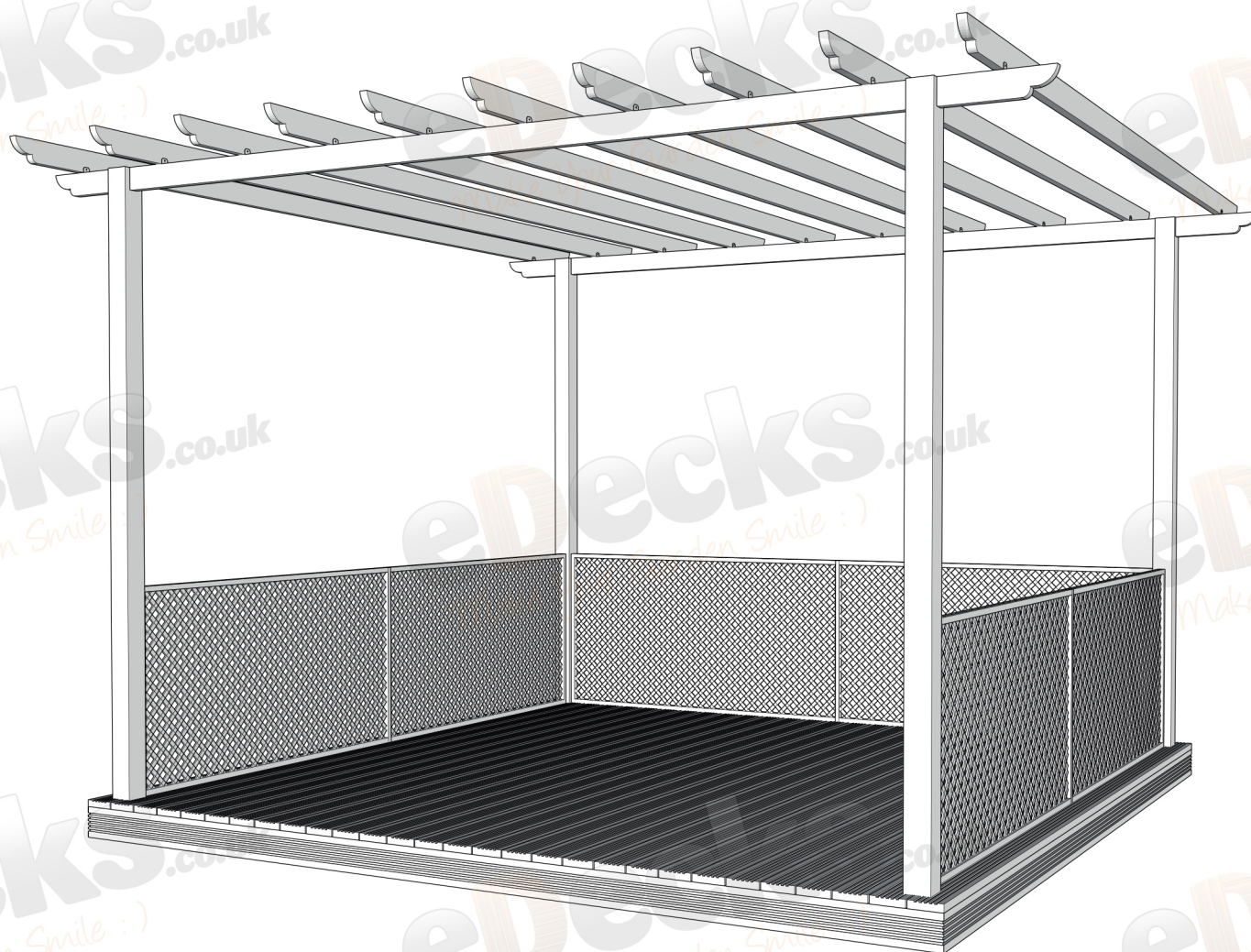
To Secure the trellis to the pergola posts use the galvanised brackets on each panel (2 at each side)

**Don't forget to check your work with a level as you go!**

Page 7 of 8

All images are for illustration only, Please see individual item listings for actual item specifications

## Step 8



**Don't forget to check your work with a level as you go!**

**Page 8 of 8**

All images are for illustration only, Please see individual item listings for actual item specifications