

2.4M Decking Kit with Vistalux Roofing

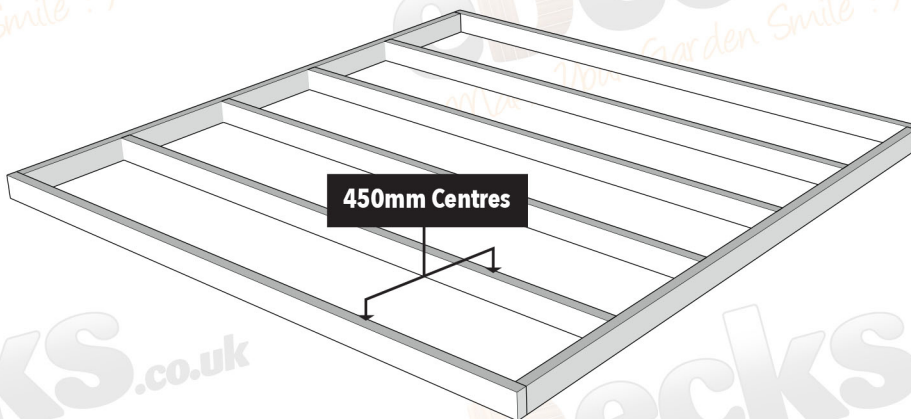


Step 1

LAY YOUR FRAME

This is an example of a decking frame

**FRAME TO BE LAID ONTO
PAVING SLABS, OR ONTO
GRASS OR SOIL**

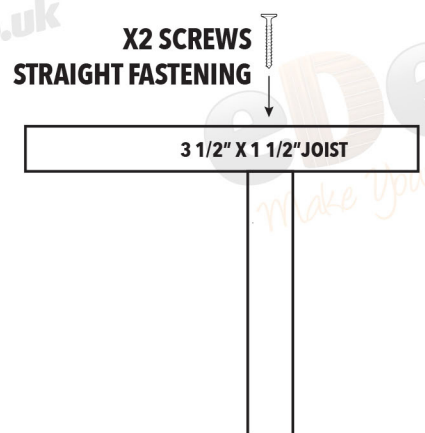
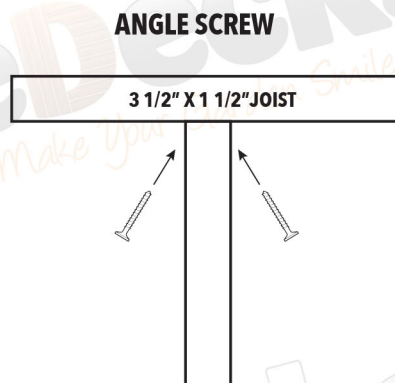
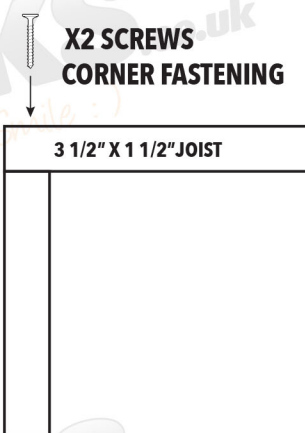


*This may require
some cutting to fit your size
requirements*

Using the decking joists provided in the Kit (3 1/2" x 1 1/2") build the perimeter first then evenly spread the remaining decking joists inside as shown in the example above, using the 4" x 10g joist screws from the fixing kit.

PLEASE NOTE you may also require Membrane, Fascias, Corner Dolly's, Stain & Additional Joists to strengthen (not provided in kit)

METHOD FOR SCREWING JOISTS



JOISTS TOP VIEW

Please make sure the frame fits the requirements for your chosen kit.

Don't forget to check your work with a level as you go!

2.4M Decking Kit with Vistalux Roofing



Step 2

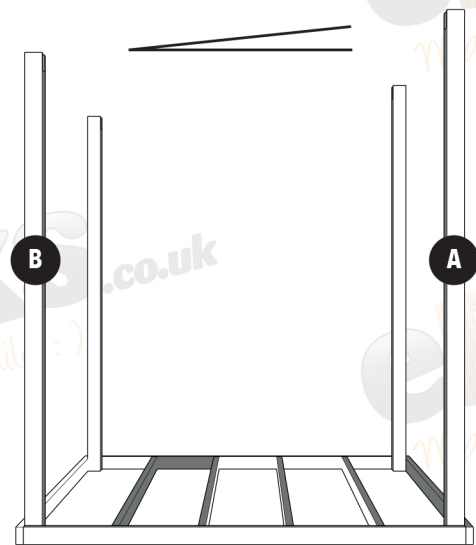
FITTING THE PERGOLA POSTS

You are supplied with pergola posts.
To account for the roof pitch which we recommend you set to 6° cut your pergola posts to the following lengths

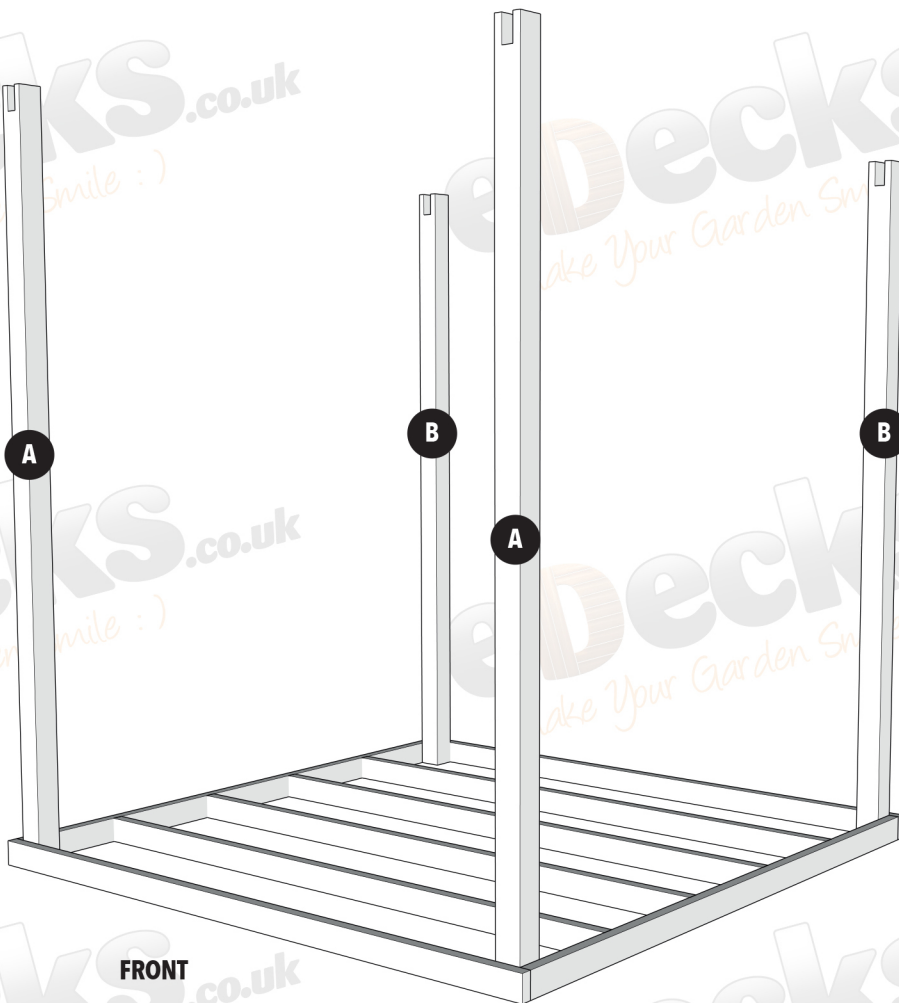
- A** - Front Pergola Posts - 2.7M
- B** - Rear Pergola Posts - 2.37M

Each Pergola Post then needs securing in each corner as shown in diagrams below.

7° Pitch for Roof

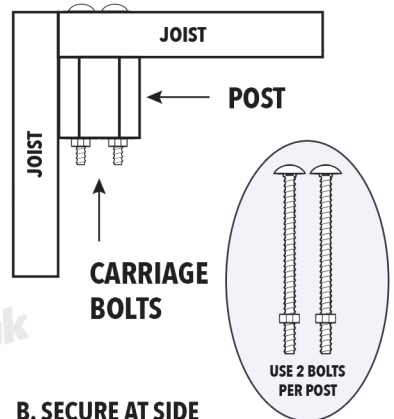


SIDE

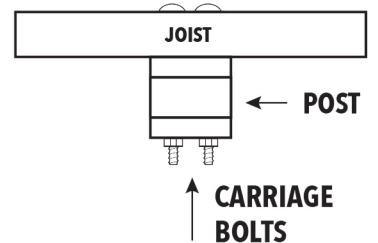


FRONT

A. SECURE AT CORNER



B. SECURE AT SIDE



Don't forget to check your work with a level as you go!

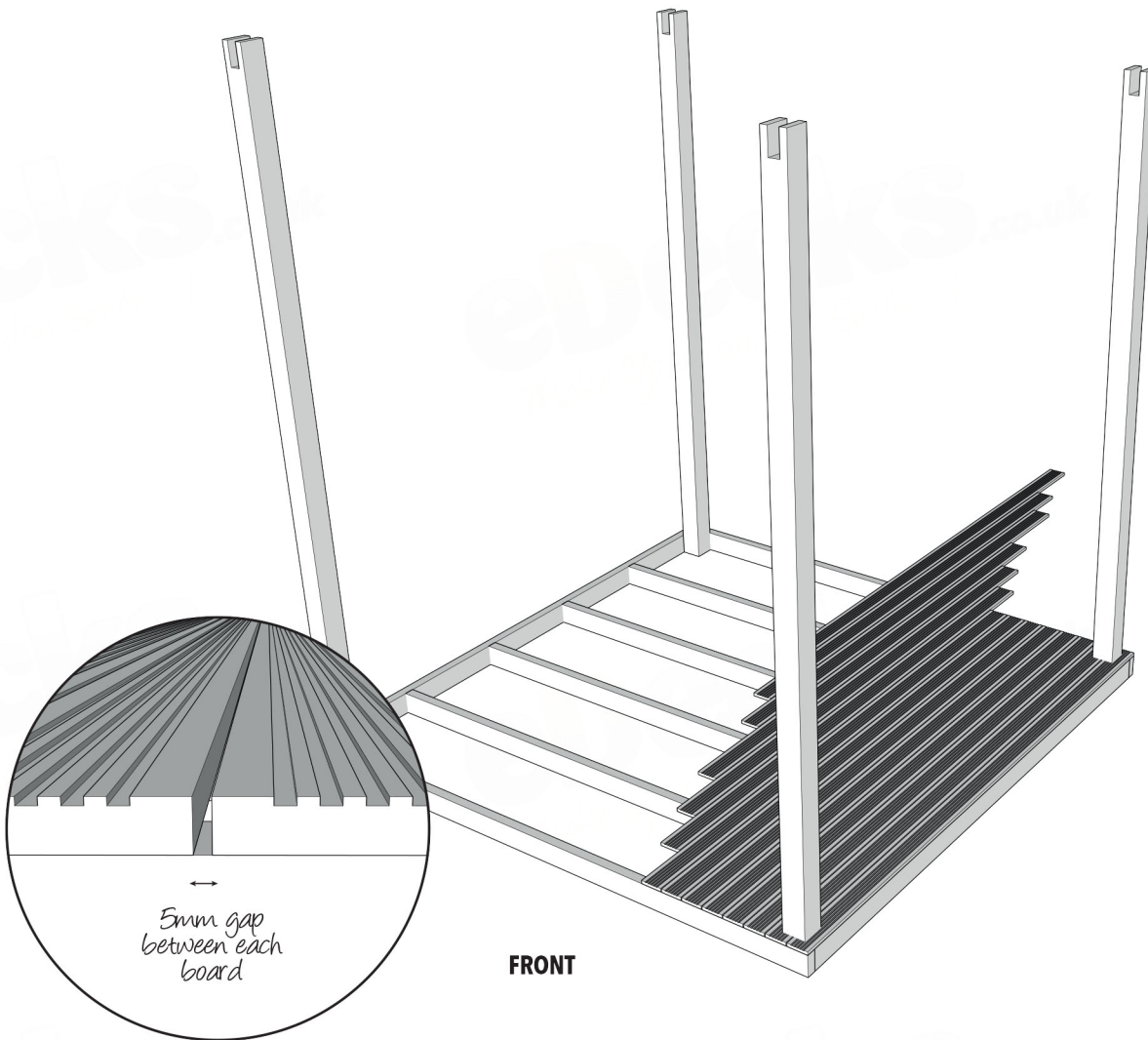
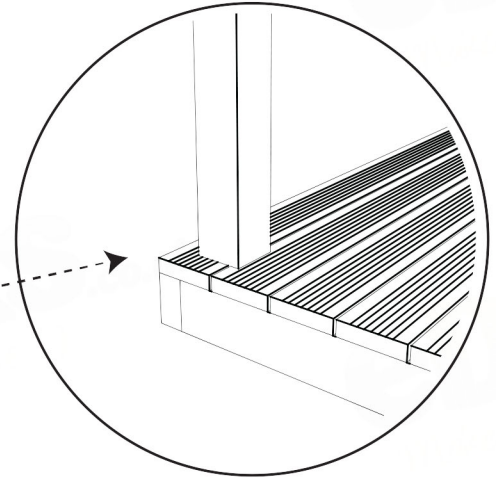



Step 3

INSTALL DECKING BOARDS

Decking boards should fit exactly to the frame, working in the opposite direction to the joist work, when laying the boards make sure you leave a 5mm gap between each board

Cutting will be required around the Posts



 1 screw per board per joist

Don't forget to check your work with a level as you go!



Step 3 cont'd

INSTALL DECKING BOARDS



FRONT

Don't forget to check your work with a level as you go!

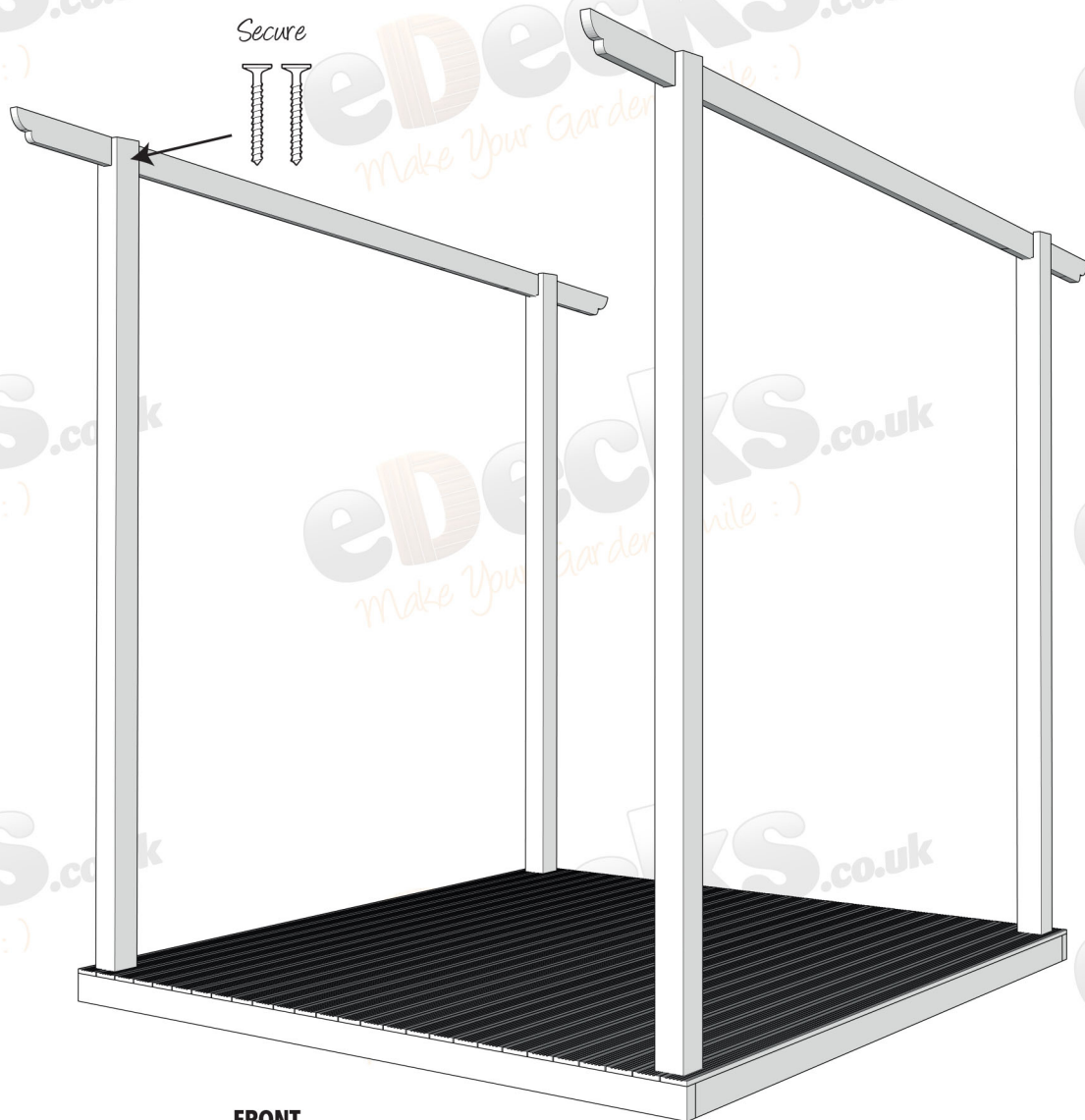
2.4M Decking Kit with Vistalux Roofing



Step 4

INSTALL SUPPORT RAFTERS

First secure the 2 supporting rafters to the posts. Do this by screwing from the inside of the post into the support rafter with 2 screws for each post.



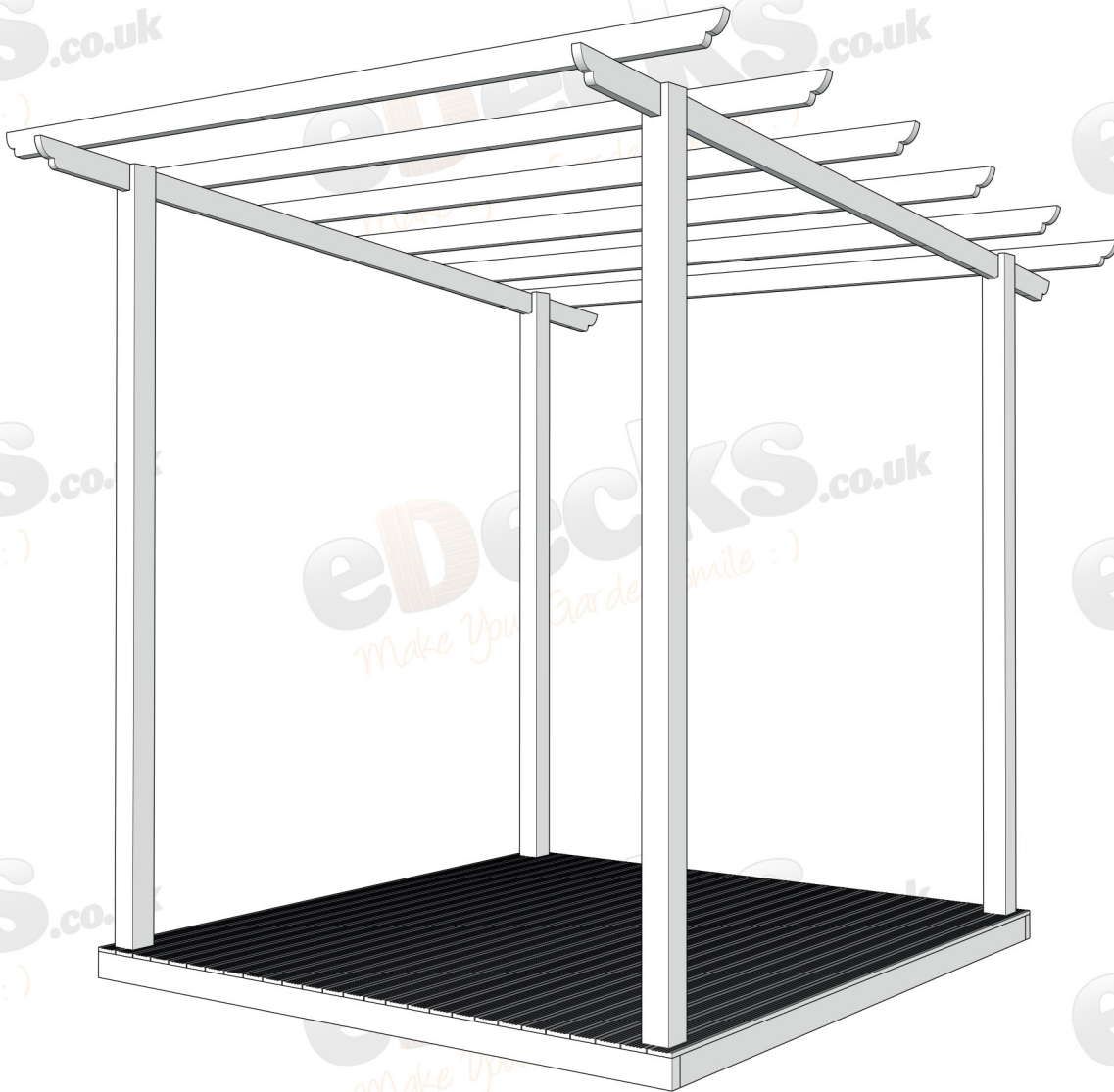
FRONT

Don't forget to check your work with a level as you go!

Step 5

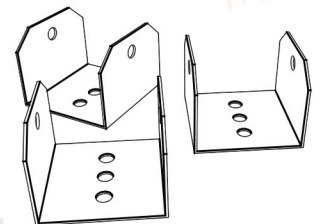
INSTALL RAFTERS

Equally space the remaining rafters across the top of the support rafters



FRONT

Using the Pergola Clips provided with your kit to secure

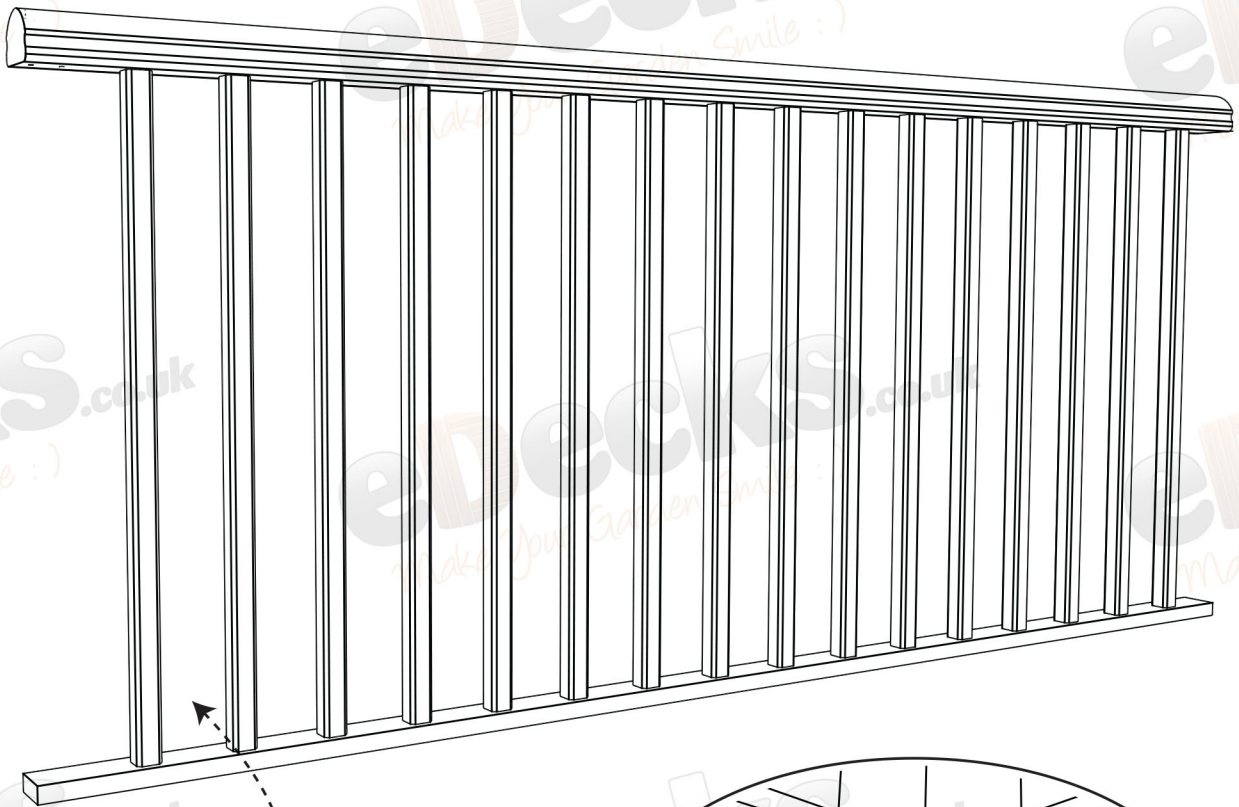


Don't forget to check your work with a level as you go!

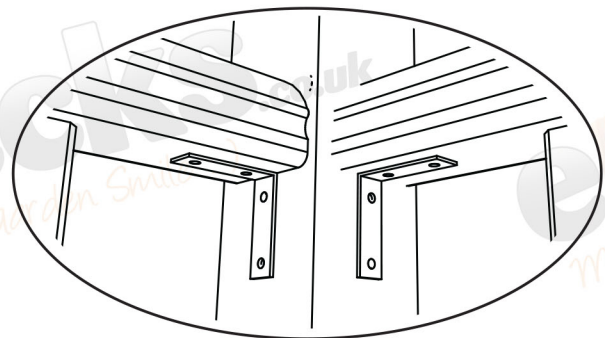
Step 6

HANDRAIL SYSTEM

If your kit has handrails please follow the instructions below, otherwise please move onto step 7



Approx
125mm Gap



Once your handrail sections are complete - using angle brackets please proceed to install to the kit

Don't forget to check your work with a level as you go!

Page 7 of 10

All images are for illustration only, Please see individual item listings for actual item specifications

Step 7

VISTALUX ROOFING

Arrange the sheets loosely on the roof, and mark hole positions and any necessary saw cuts with a felt tip pen.

Sheets should overhang the roof by 60mm to allow rainfall to run-off .

Cutting Sheets (if required)

If cutting is required use an angle grinder with a metal slitting blade or fine tooth saw at a shallow angle with light pressure.

Support the sheet to minimise vibrations.

A good tip when cutting, is to sandwich the sheet between other sheets with the part to be removed protruding.

If a sheet has to be cut to a finished width, make the cut in the slope of the corrugated sheet.

Avoid drilling and cutting sheets in very cold weather.

Warm sheets will be less prone to damage. If possible store sheets in a warm room before cutting.

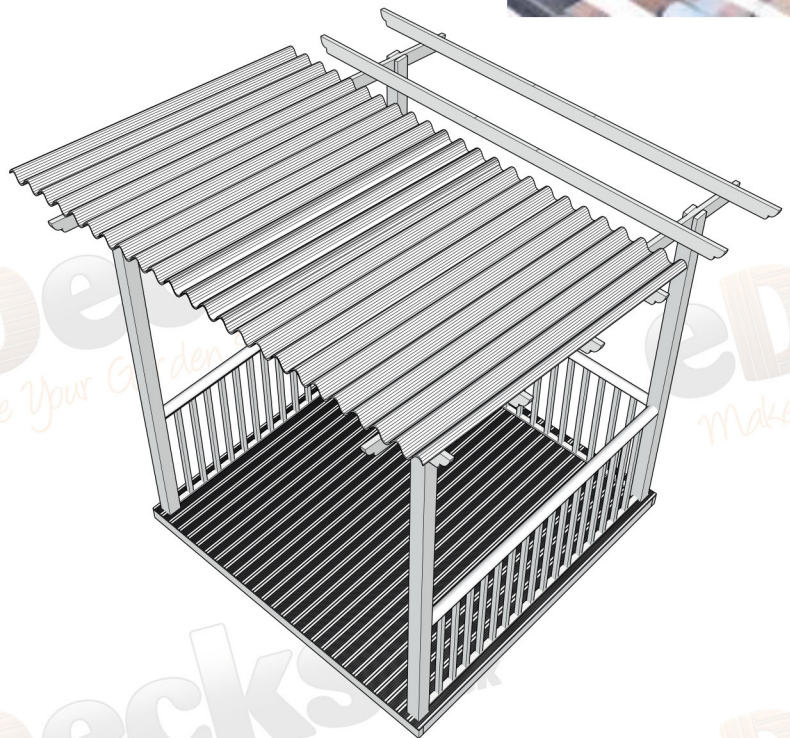
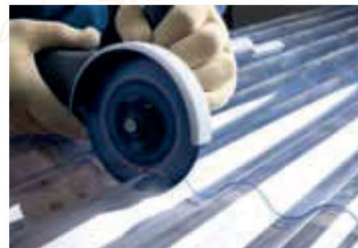
Drilling Sheets

Pre-drill sheets before fixing. Please note - holes for fixings must drilled larger than the fixing to allow for expansion.

Typically 10mm for a 3m sheet.

Drill sheets singly with a masonry bit, using a low speed drill and light pressure. Support the sheet securely under each hole position when drilling.

There should be at least 5 fixings per support across the width of the sheet.



Don't forget to check your work with a level as you go!

Step 7 Cont'd

VISTALUX ROOFING

Start fixing sheets

Foam Fillers are used under the sheets at all support positions to prevent roof 'chatter' and to support the sheets when fixed.

Use the screws, caps and washers provided to secure the sheet: the screw is sufficiently tight when the washer under its head can just be rotated with finger and thumb.

Joining Sheets (end to end)

If sheets need to be joined end to end, ensure an overlap of at least 150mm

Use a strip of Butyl Sealing Tape to prevent dust and dirt getting between the sheets.



Don't forget to check your work with a level as you go!



Step 8

FINISH!



Once this is complete - Sit back and enjoy!

Page 10 of 10

All images are for illustration only, Please see individual item listings for actual item specifications