

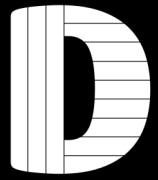
Component List

2 x Front Support Posts	3" x 3"	2100mmm	(A1)
2 x Rear Support Posts	3" x 3"	1950mm	(A2)
2 x Roof Framing	2" x 2"	1660mm	(B1)
4 x Roof Rafters	2" x 2"	1260mm (Angle Cut)	(B2)
13 x Featheredge Roof		1800mm	(B3)
2 x Side Fascia Boards	4" x 1"	1350mm (Angle Cut)	(B4)
1 x Front Fascia Board	4" x 1"	1840mm	(B5)
1 x Decorative Front Piece			(B6)
6 x Cladding Frame	2" x 2"	1100mm	(C1)
18 x Cladding (Sides)	4" x 1"	1200mm	(C2)
9 x Cladding (Rear)	4" x 1"	1660mm	(C3)
2 x Handrail (Side)	4" x 1"	1200mm	(C4)
1 x Handrail (Rear)	4" x 1"	1660mm	(C5)
183 x 50mm Green Screws			(FIX 1)
34 x 75mm Green Screws			(FIX 2)
8 x 100mm Screws			(FIX 3)

Recommended Tools

Drill Driver
PZ2 Driver Bit
Pilot Drill Bit
Tape Measure
Spirit Level

We recommend two people to assemble this BBQ shelter.



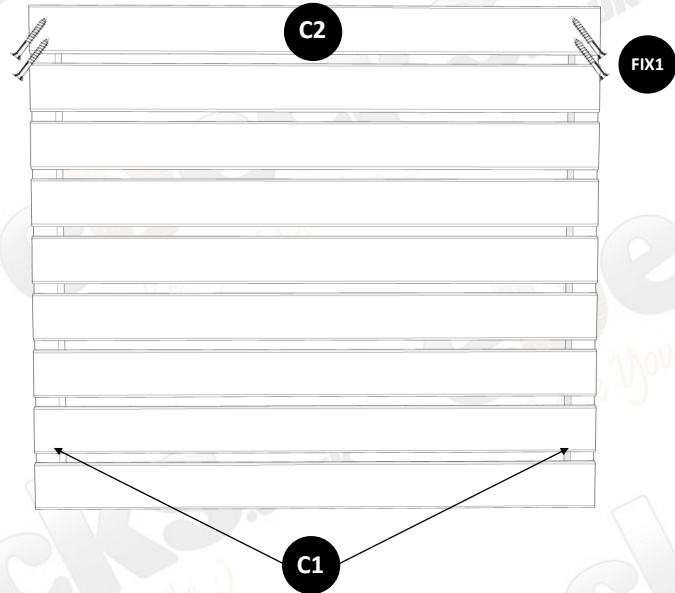
Step 1

To prevent splits, drill a pilot hole before driving screws

Using 2 x cladding frame pieces (**C1**) and 9 x cladding boards (**C2**) assemble your side panels as shown below. The board at the top should fit flush with the frame piece, working down the timber with 25mm spaces in between each board.

Each board is held in place using 2x 50mm green screws (**FIX 1**) per side, per board, driven through the face of the cladding into the frame.

Repeat for both side panels.

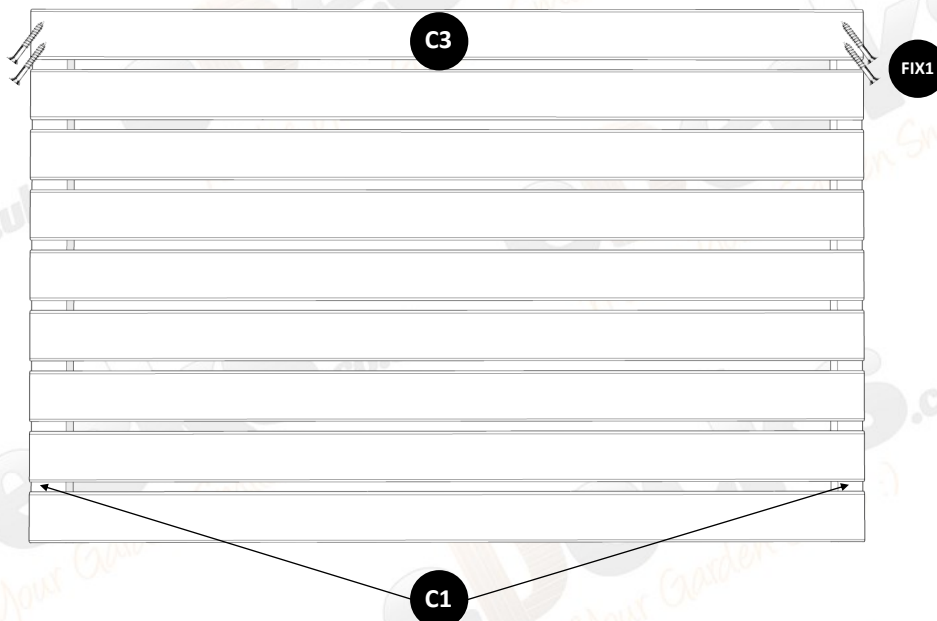


Step 2

Next is to create the back panel, which is much the same as the two sides you have built in step one.

Using 2 x cladding frame pieces (**C1**) and 9 x cladding boards (**C3**) assemble your rear panel as shown below. The board at the top should fit flush with the frame piece, working down the timber with 25mm spaces in between each board.

Each board is held in place using 2x 50mm green screws (**FIX 1**) per side, per board, driven through the face of the cladding into the frame.



All images are for illustration only. Please see individual item listings for actual item specifications.

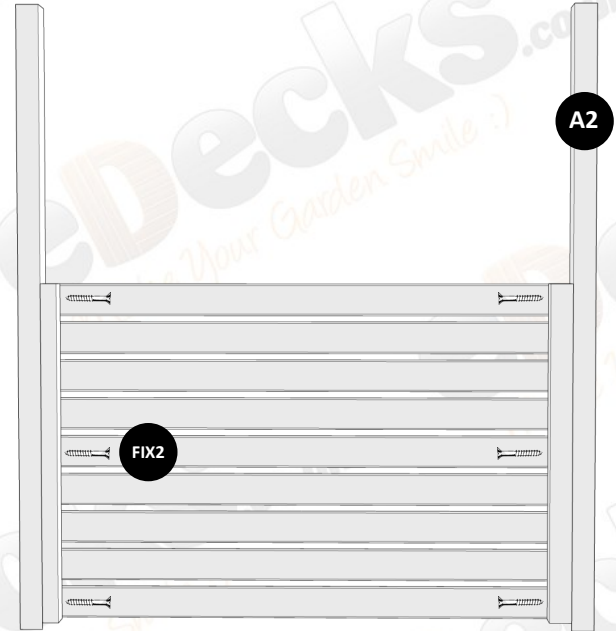
Step 3

To prevent splits, drill a pilot hole before driving screws

With the three side/rear panels now built, they can be attached to the corner support posts.

Starting with the rear support posts (**A2**) place the rear panel between the two posts and screw into place using 3 x 75mm green screws (**FIX 2**).

The screws should be placed as per the diagram, one at the top, middle and bottom on each side, through the panel frame and into the side of the support posts, the panel should sit 20mm from the floor to prevent ground contact which could cause the timber to suffer from rot if regularly wet.



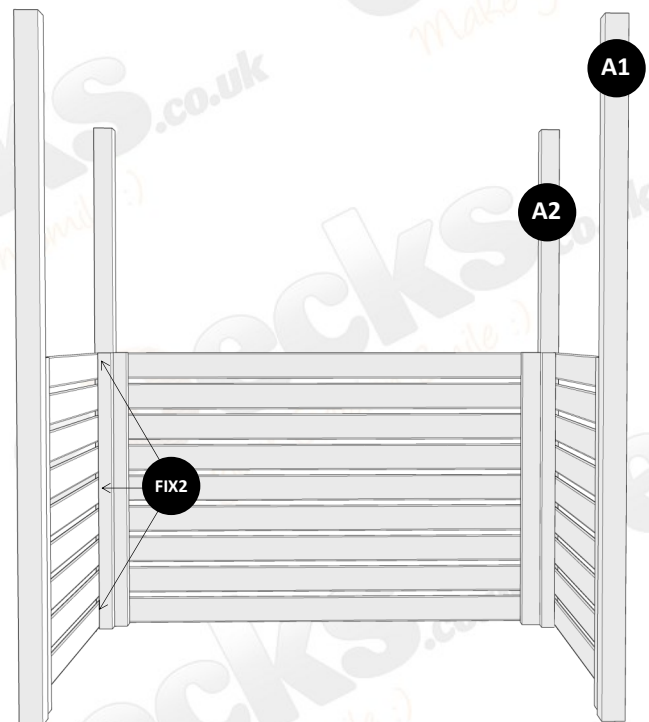
Step 4

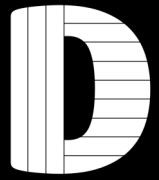
With the rear section fixed in place, both sides can be then screwed into position as per the diagram to the right.

The fixing method is the same as step 3, using 3 x 75mm green screws (**FIX 2**) one at the top, middle and bottom on each side, through the panel frame and into the side of the support posts.

We recommend first fastening the side panel to the rear support post (**A2**) before moving onto the front support posts (**A1**).

Repeat the process on both sides.





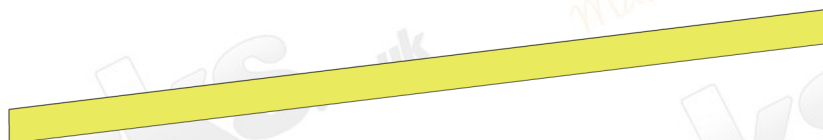
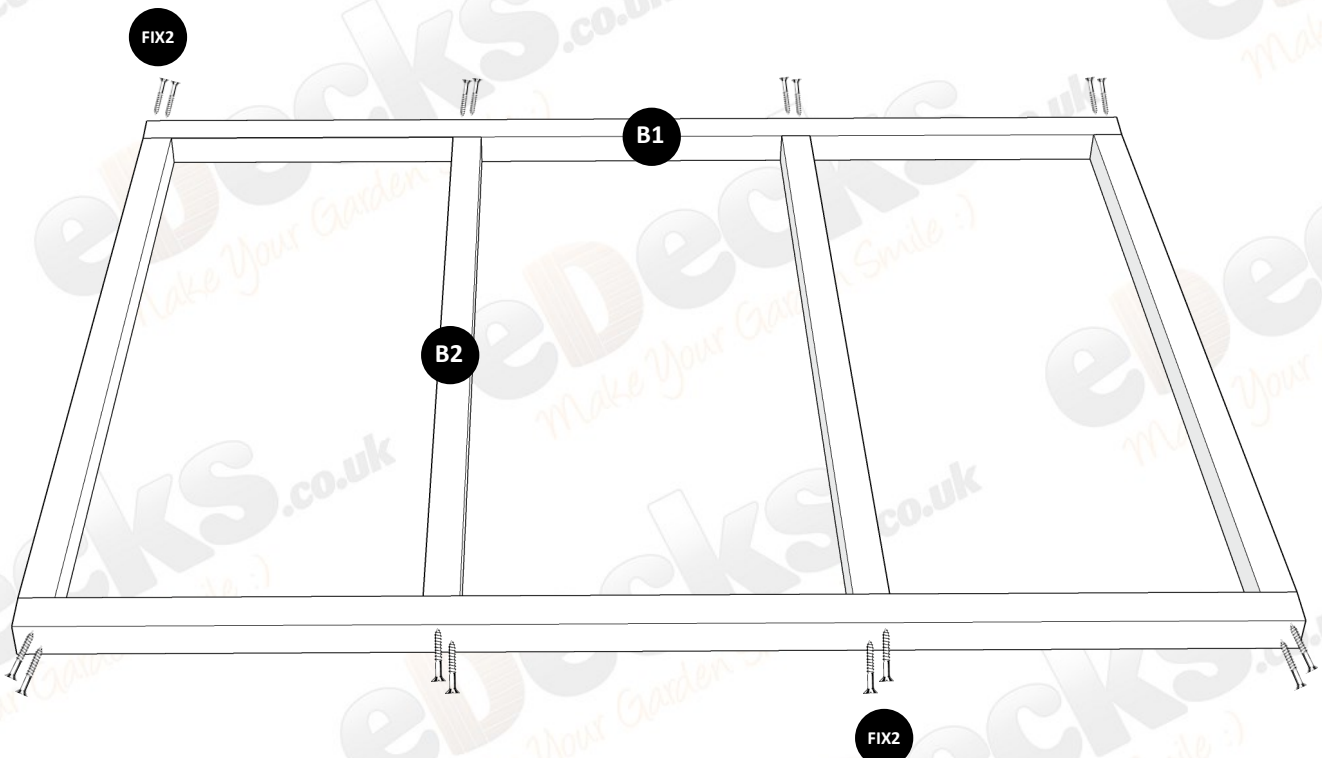
Step 5

To prevent splits, drill a pilot hole before driving screws

Using the roof framing parts **(B1)** and **(B2)** assemble your roof frame as below.

Screw through the face of **(B1)** into the rafters / frame timbers **(B2)** using 2 x 75mm green screws **(FIX 2)** at each end.

Please Note: Due to the slight angle cuts on pieces **(B2)** the frame should not lay flat; this is to create the sloping pitch on the roof which will allow for water to run off the back.



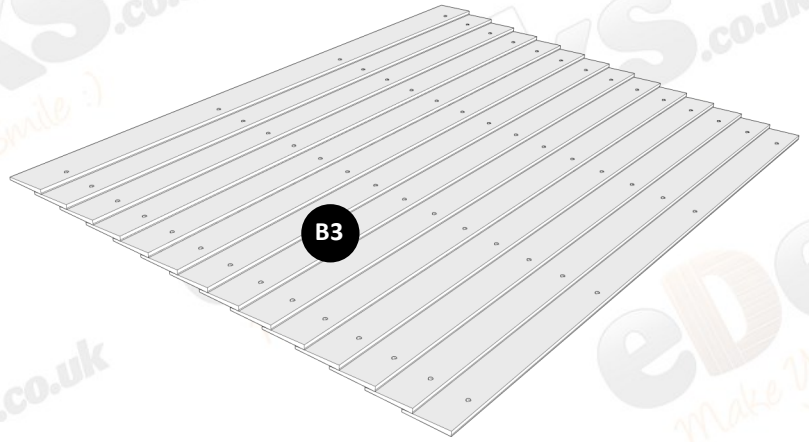
(B2) Side Profile

All images are for illustration only. Please see individual item listings for actual item specifications.

Step 6

To prevent splits, drill a pilot hole before driving screws

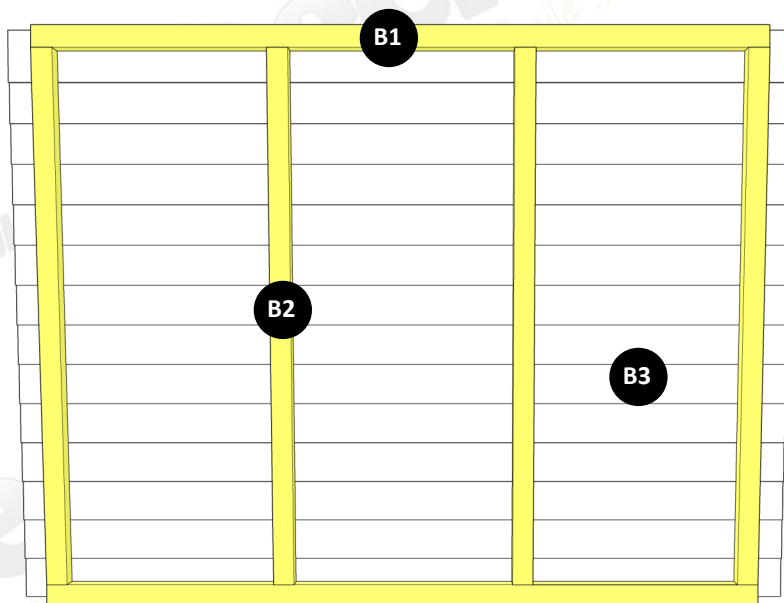
Attach the featheredge roof boards (**B3**) to the roof frame you have just built in step 5 using 1 x 50mm green screw (**FIX1**) per board, per joist as indicated to the right.



Remember to leave a 20mm overlap on each board and to screw through the thick part of the featheredge board.

The featheredge boards should sit flush at both the front and rear but will overhang the frame at both sides by 70mm.

See below for underside view.



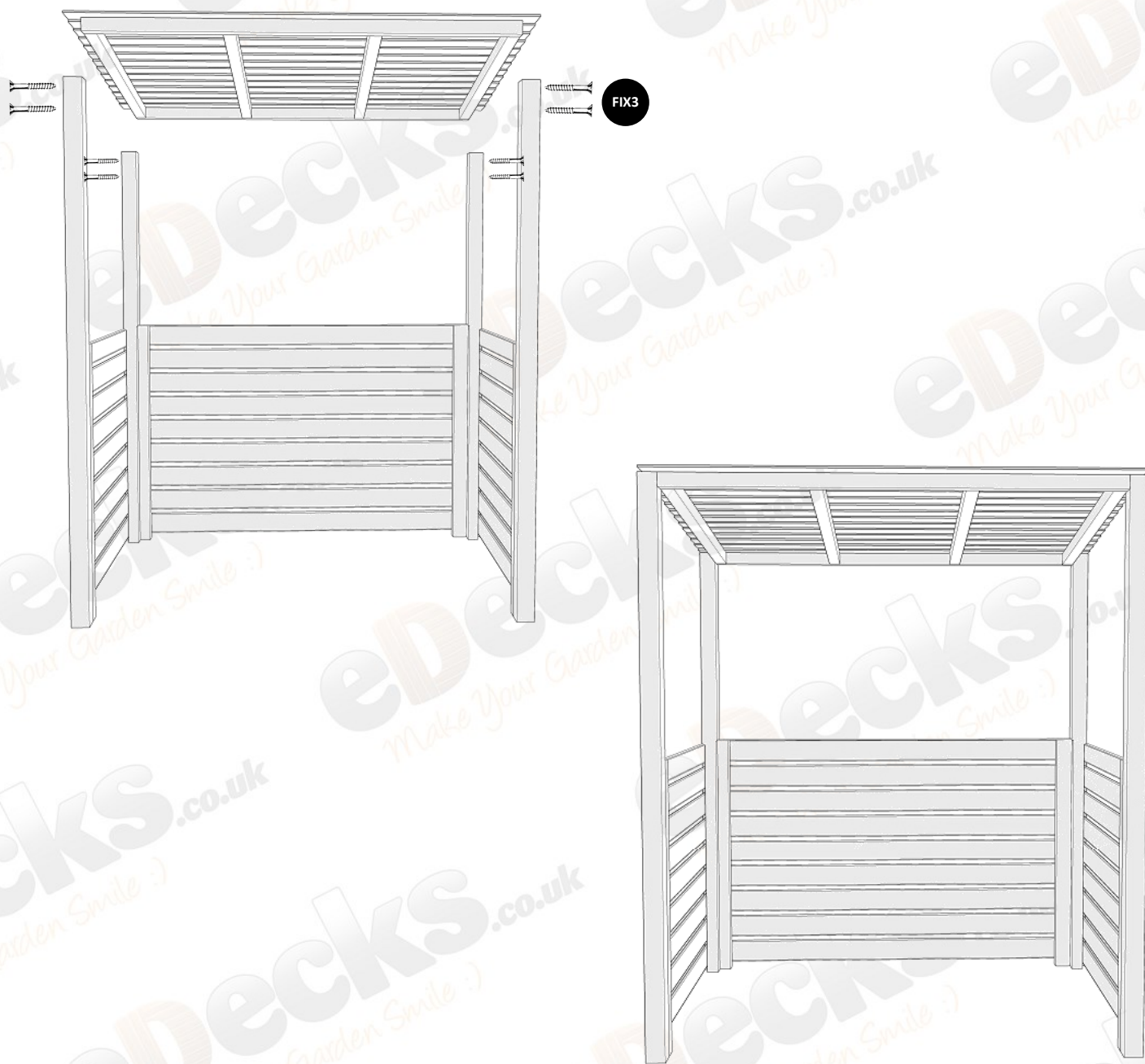
All images are for illustration only. Please see individual item listings for actual item specifications.

Step 7

To prevent splits, drill a pilot hole before driving screws

Lift the roof above the corner posts and rest it in place, the outer edges of the roof frame should sit inside the posts.

Fix the roof in place using 2 x 100mm wood screws (**FIX 3**) per corner driving through the posts from the outside.



Step 8

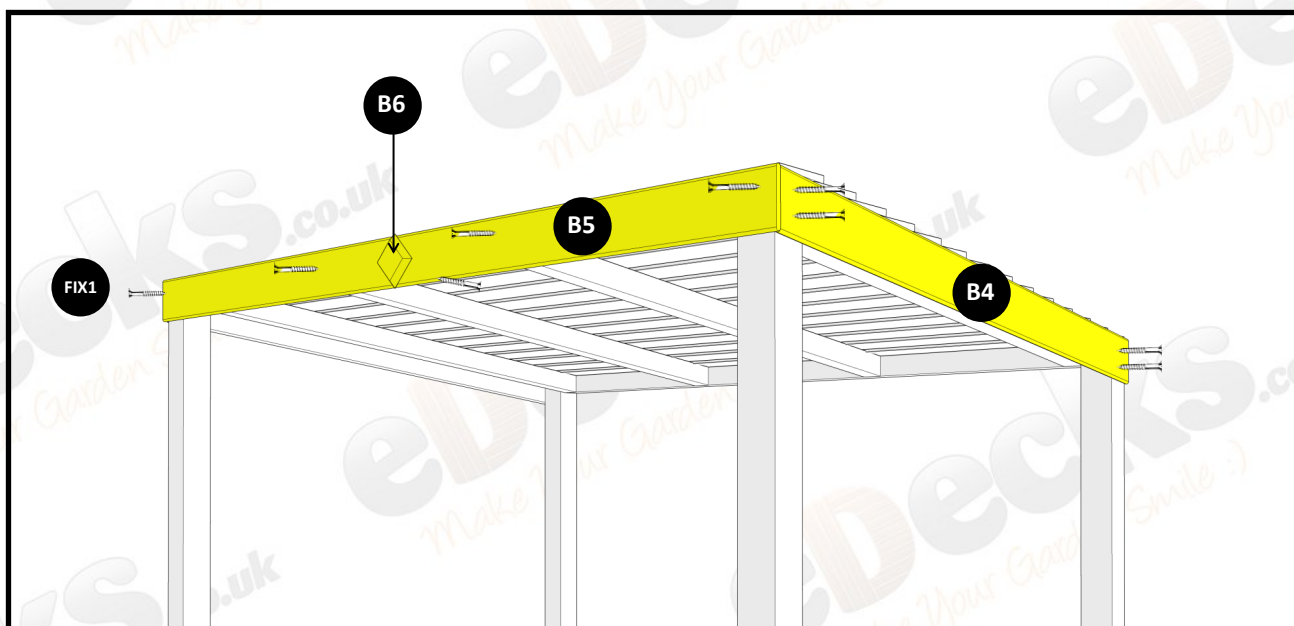
To prevent splits, drill a pilot hole before driving screws

With the roof fixed in place the fascia boards (**B4**), (**B5**) and the decorative piece (**B6**) can now be installed to finish off the roof section.

The fascia's are fastened into place using 4 x 50mm green screws (**FIX 1**) as below.

Fix the side fascia's (**B4**) first, making sure the top edge is flush with the tallest part of the featheredge roof.

The decorative piece is to be centred on the fascia and fixed in place by screwing through the back of the frame into the piece using 1 x 50mm green screw (**FIX 1**).

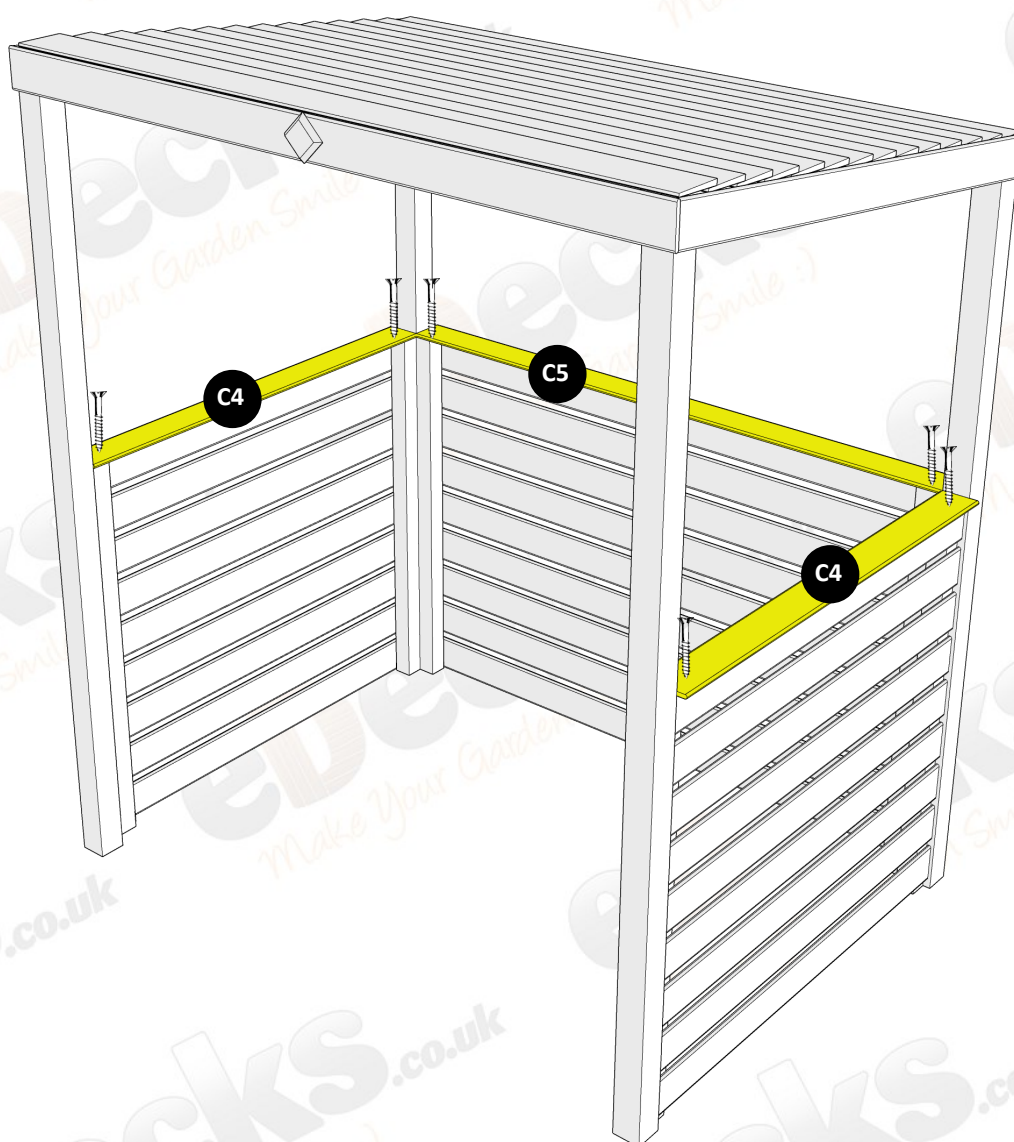


Step 9

To prevent splits, drill a pilot hole before driving screws

To complete the build, you lastly have to install the side and rear capping rails (C4) and (C5).

These should sit flush in-between your corner posts and are secured using 1 x 50 green screw (FIX 1) at each end, the screws should be driven through the capping rails and down into the frame uprights in the corners.





Enjoy your new BBQ Shelter!

All images are for illustration only. Please see individual item listings for actual item specifications.