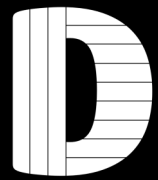


# Garden BBQ Shelter With Panelled Back



## Component List

|                                 |         |                    |         |
|---------------------------------|---------|--------------------|---------|
| 2 x Front Support Posts         | 3" x 3" | 2100mm             | (A1)    |
| 2 x Rear Support Posts          | 3" x 3" | 1950mm             | (A2)    |
| 2 x Roof Framing                | 2" x 2" | 1660mm             | (B1)    |
| 4 x Roof Rafters                | 2" x 2" | 1260mm (Angle Cut) | (B2)    |
| 13 x Featheredge Roof           |         | 1800mm             | (B3)    |
| 2 x Side Fascia Boards          | 4" x 1" | 1350mm (Angle Cut) | (B4)    |
| 1 x Front Fascia Board          | 4" x 1" | 1840mm             | (B5)    |
| 1 x Decorative Front Piece      |         |                    | (B6)    |
| 6 x Cladding Frame              | 2" x 2" | 1100mm             | (C1)    |
| 18 x Cladding (Sides)           | 4" x 1" | 1200mm             | (C2)    |
| 9 x Cladding (Rear)             | 4" x 1" | 1660mm             | (C3)    |
| 2 x Handrail (Side)             | 4" x 1" | 1200mm             | (C4)    |
| 1 x Handrail (Rear)             | 4" x 1" | 1660mm             | (C5)    |
| 1 x Decorative Crosshatch Panel |         |                    | (C6)    |
| 4 x 32mm Square Spindles        |         |                    | (C7)    |
| 189 x 50mm Green Screws         |         |                    | (FIX 1) |
| 40 x 75mm Green Screws          |         |                    | (FIX 2) |
| 8 x 100mm Screws                |         |                    | (FIX 3) |

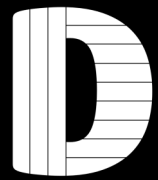
### Recommended Tools

Drill Driver  
PZ2 Driver Bit  
Tape Measure  
Spirit Level

We recommend two people to assemble this BBQ shelter.

# \*\*Name TBC\*\* Back Panel

## Garden BBQ Shelter



*\*To prevent splits, drill a pilot hole before driving screws\**

### Step 1

Using 2 x cladding frame pieces (**C1**) and 9 x cladding boards (**C2**) assemble your side panels as shown below. The board at the top should fit flush with the frame piece, working down the timber with 25mm spaces in between each board.

Each board is held in place using 2x 50mm green screws (**FIX 1**) per side, per board, driven through the face of the cladding into the frame.

Repeat for both side panels.

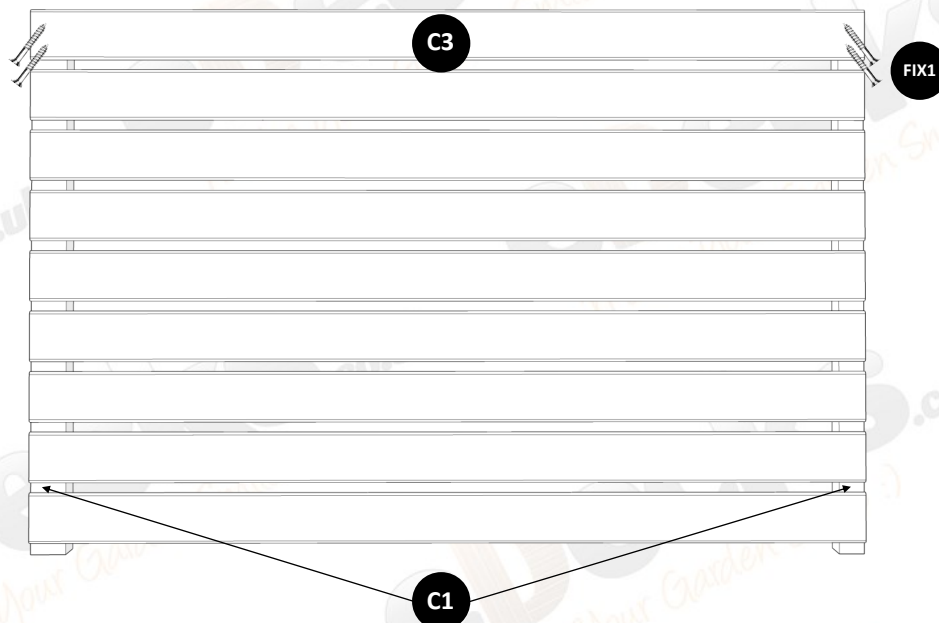


### Step 2

Next is to create the back panel, which is much the same as the two sides you have built in step one.

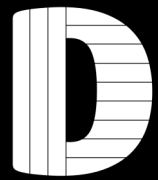
Using 2 x cladding frame pieces (**C1**) and 9 x cladding boards (**C3**) assemble your rear panel as shown below. The board at the top should fit flush with the frame piece, working down the timber with 25mm spaces in between each board.

Each board is held in place using 2x 50mm green screws (**FIX 1**) per side, per board, driven through the face of the cladding into the frame.



All images are for illustration only. Please see individual item listings for actual item specifications.

# \*\*Name TBC\*\* Back Panel Garden BBQ Shelter



## Step 3

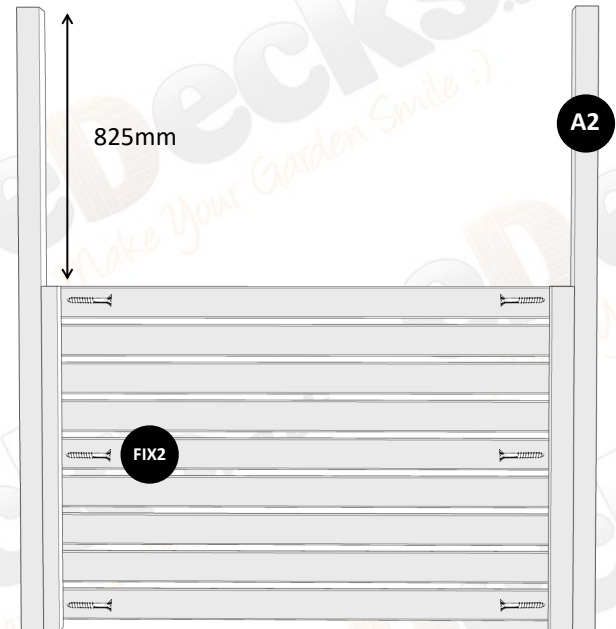
*\*To prevent splits, drill a pilot hole before driving screws\**

With the three side/rear panels now built, they can be attached to the corner support posts.

Starting with the rear support posts (A2) place the rear panel between the two posts and screw into place using 3 x 75mm green screws (FIX 2). The top of the panel should sit 825mm from the top of the corner post.

*This is critically important so that later on when installing the crosshatch decorative panel it is a snug fit with no gaps at the top which is where it will be secured in place.*

The screws should be placed as per the diagram, one at the top, middle and bottom on each side, through the panel frame and into the side of the support posts.



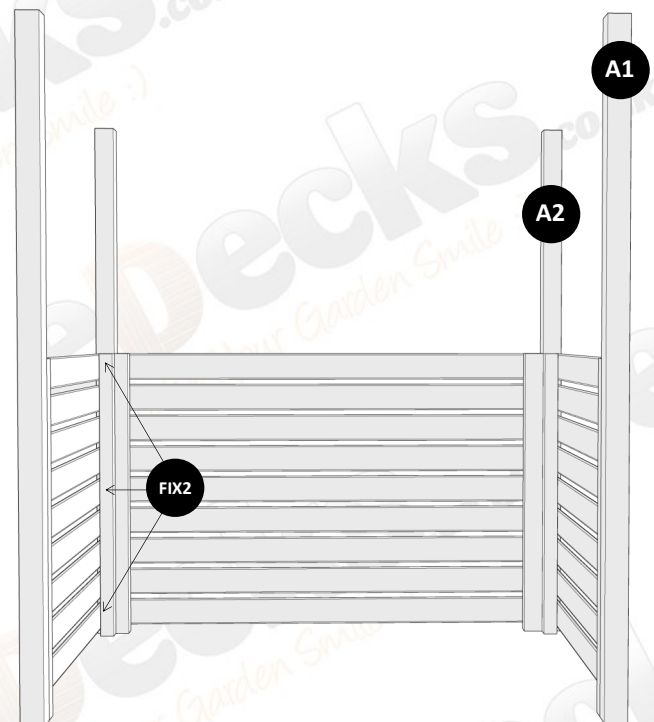
## Step 4

With the rear section fixed in place, both sides can be then screwed into position as per the diagram to the right.

The fixing method is the same as step 3, using 3 x 75mm green screws (FIX 2) one at the top, middle and bottom on each side, through the panel frame and into the side of the support posts.

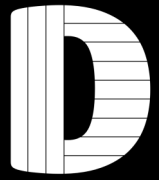
We recommend first fastening the side panel to the rear support post (A2) before moving onto the front support posts (A1).

Repeat the process on both sides, ensuring that they are level with the rear panel.



# \*\*Name TBC\*\* Back Panel

## Garden BBQ Shelter



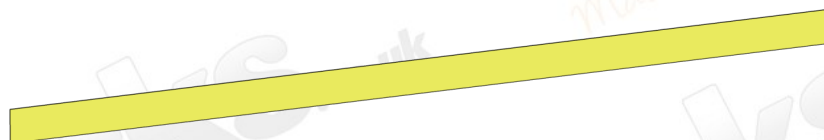
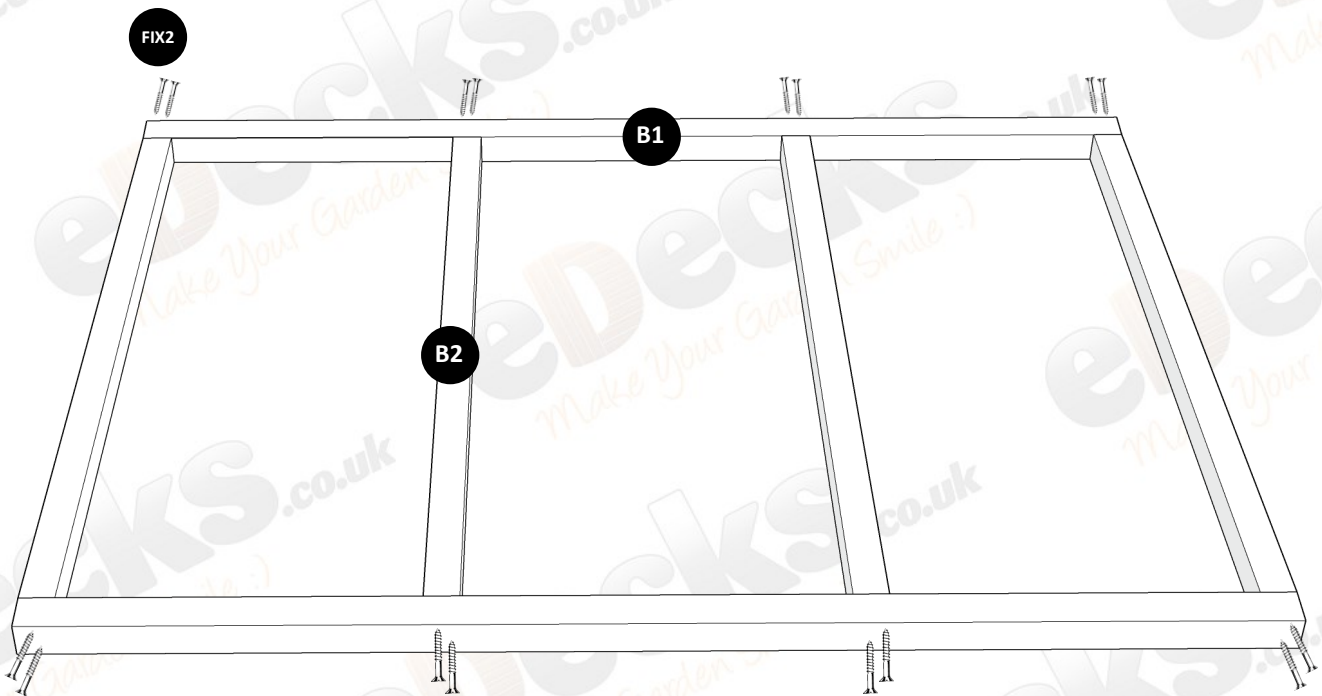
### Step 5

*\*To prevent splits, drill a pilot hole before driving screws\**

Using the roof framing parts **(B1)** and **(B2)** assemble your roof frame as below.

Screw through the face of **(B1)** into the rafters / frame timbers **(B2)** using 2 x 75mm green screws **(FIX 2)** at each end.

**Please Note:** Due to the slight angle cuts on pieces **(B2)** the frame should not lay flat; this is to create the sloping pitch on the roof which will allow for water to run off the back.

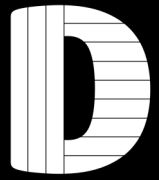


**(B2)** Side Profile

All images are for illustration only. Please see individual item listings for actual item specifications.

# \*\*Name TBC\*\* Back Panel

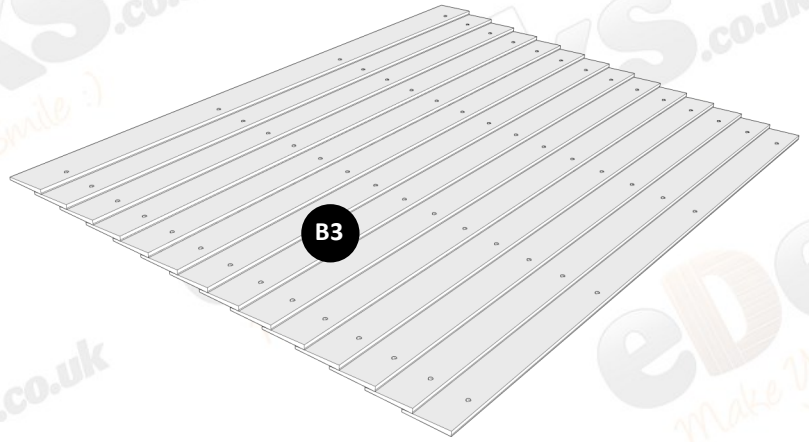
## Garden BBQ Shelter



### Step 6

*\*To prevent splits, drill a pilot hole before driving screws\**

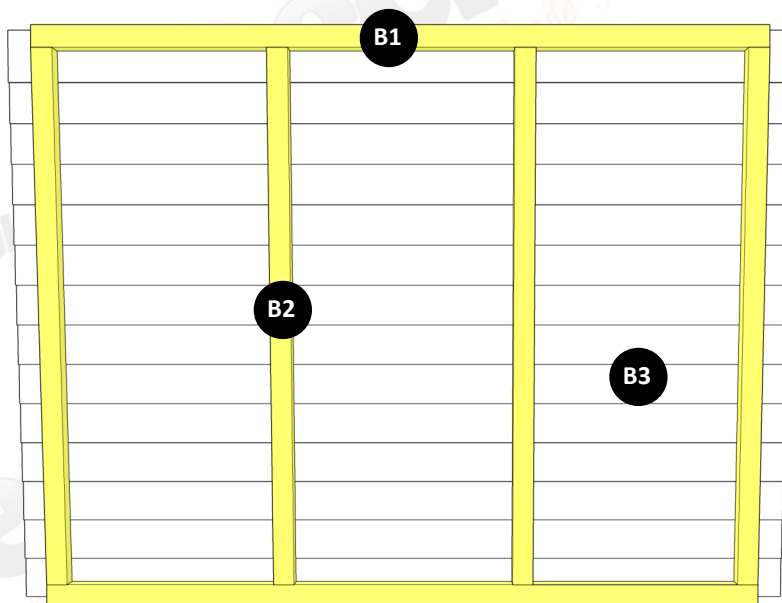
Attach the featheredge roof boards (**B3**) to the roof frame you have just built in step 5 using 1 x 50mm green screw (**FIX1**) per board, per joist as indicated to the right.



Remember to leave a minimum of 15mm overlap on each board and to screw through the thick part of the featheredge board.

The featheredge boards should sit flush at both the front and rear but will overhang the frame at both sides by 70mm.

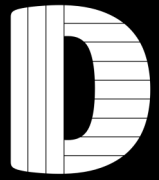
See below for underside view.



All images are for illustration only. Please see individual item listings for actual item specifications.

# \*\*Name TBC\*\* Back Panel

## Garden BBQ Shelter

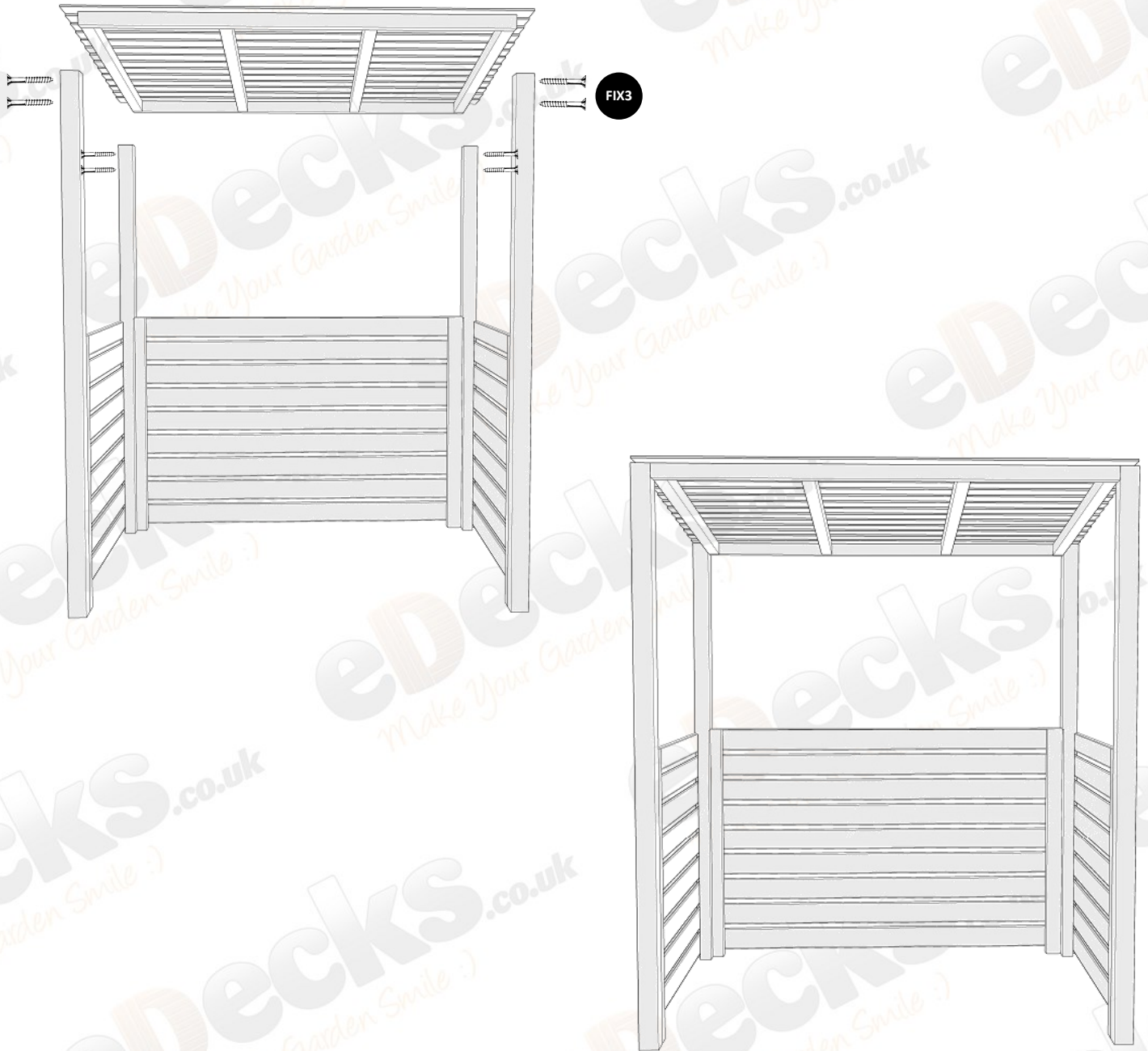


### Step 7

*\*To prevent splits, drill a pilot hole before driving screws\**

Lift the roof above the corner posts and rest it in place, the outer edges of the roof frame should sit inside the posts.

Fix the roof in place using 2 x 100mm wood screws (**FIX 3**) per corner driving through the posts from the outside.



# \*\*Name TBC\*\* Back Panel

## Garden BBQ Shelter



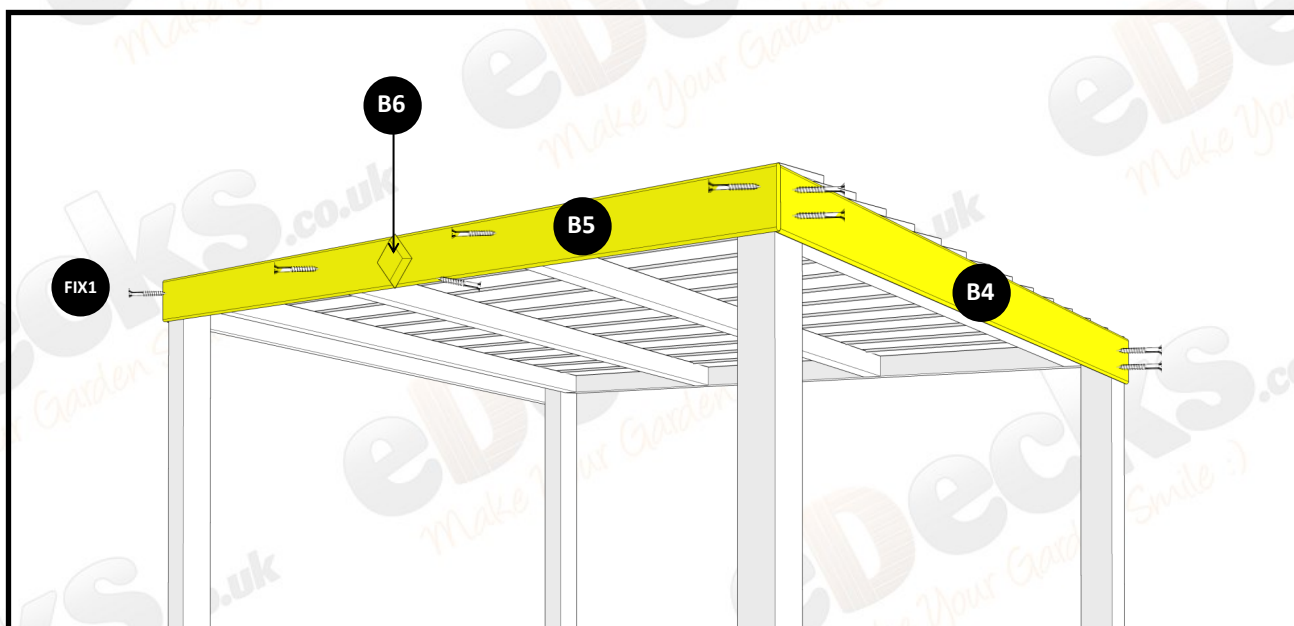
### Step 8

*\*To prevent splits, drill a pilot hole before driving screws\**

With the roof fixed in place the fascia boards (B4), (B5) and the decorative piece (B6) can now be installed to finish off the roof section.

The fascia's are fastened into place using 4 x 50mm green screws (FIX 1) as below.

The decorative piece is to be centred on the fascia and fixed in place by screwing through the back of the frame into the piece using 1 x 50mm green screw (FIX 1).



All images are for illustration only. Please see individual item listings for actual item specifications.

Page 7 of 9

# \*\*Name TBC\*\* Back Panel

## Garden BBQ Shelter

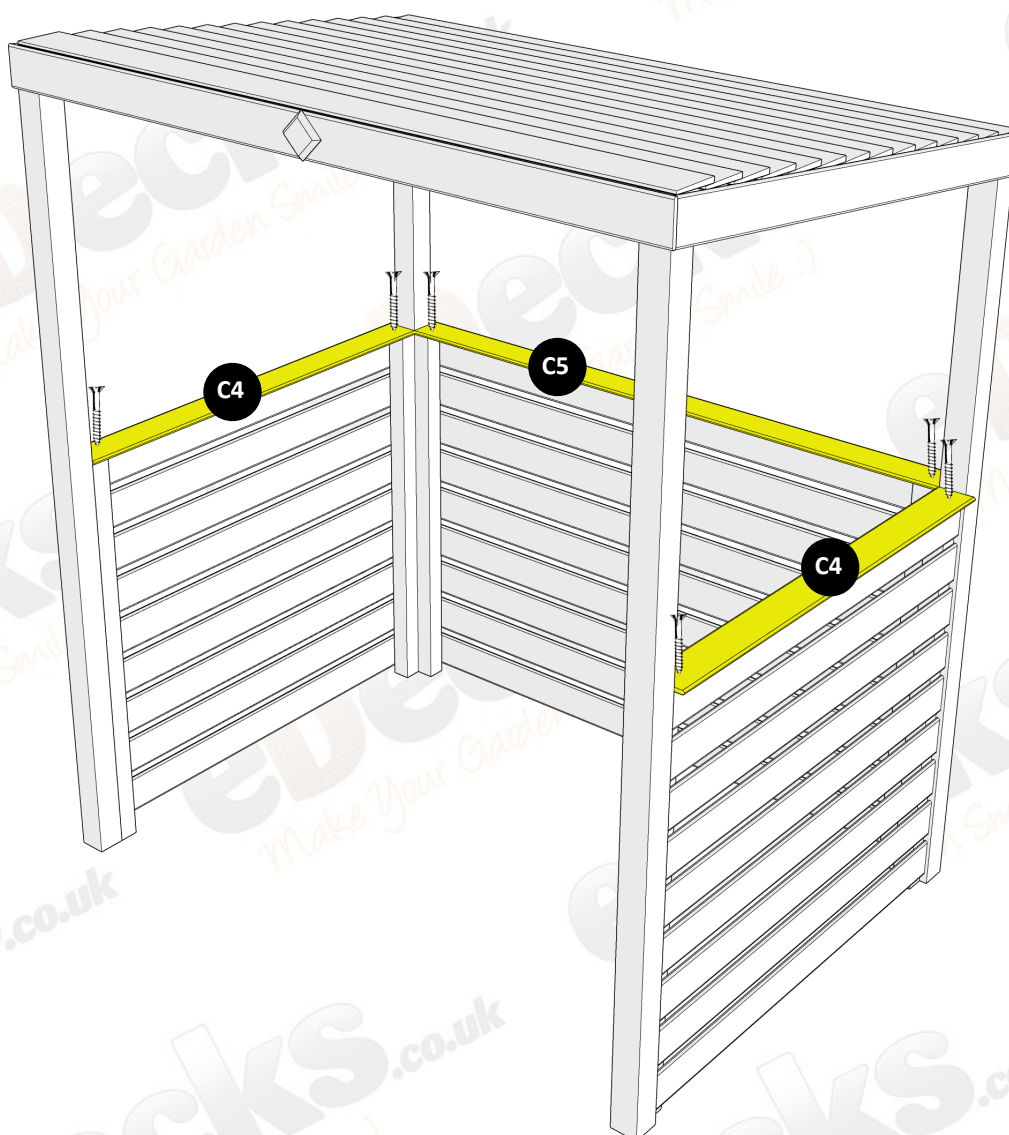


### Step 9

*\*To prevent splits, drill a pilot hole before driving screws\**

With the frame now all fixed together the side and rear capping rails (C4) and (C5) can be fixed into position.

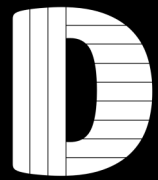
These should sit flush in-between your corner posts and are secured using 1 x 50 green screw (FIX 1) at each end, the screws should be driven through the capping rails and down into the frame uprights in the corners.





# \*\*Name TBC\*\* Back Panel

## Garden BBQ Shelter



### Step 10

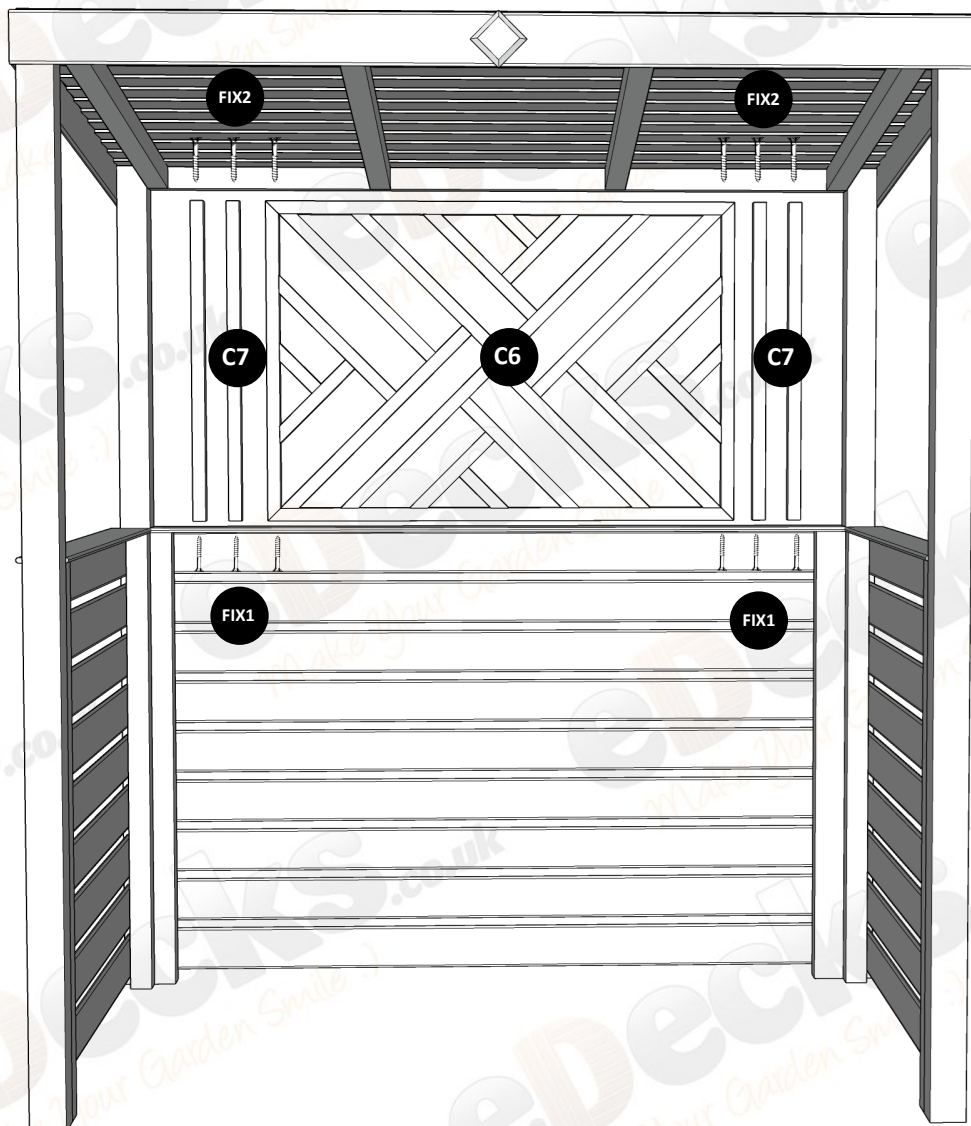
*\*To prevent splits, drill a pilot hole before driving screws\**

The final step is to fix the decorative crosshatch panel (C6) and 32mm square spindles (C7) into position at the rear of your shelter, your panel should fit perfectly in-between the roof frame and rear capping rail.

Start by centring the panel in the gap and use 1 x 50mm green screw (FIX 1) to drive up through the capping rail and into the panel in the corner to fix it in place, repeat the process on the other side.

To secure the top of the panel, use 1 x 75mm green screw (FIX 2) to go down through the featheredge roof board, into the roof frame and into the top of the panel, again aiming for the upright in the corner.

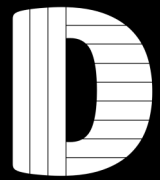
Lastly the spindles need to be installed to complete the rear and the shelter as a whole. Following the same method as the panel, use 50mm green screws (FIX 1) to secure the spindles in place from the bottom and 75mm green screws (FIX 2) at the top. The spindles should be evenly spaced in the remaining gap.



All images are for illustration only. Please see individual item listings for actual item specifications.

**\*\*Name TBC\*\* Back Panel**

**Garden BBQ Shelter**



**Enjoy your new BBQ Shelter!**

All images are for illustration only. Please see individual item listings for actual item specifications.

Page 10 of 9