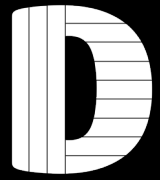


GARDEN PICNIC BENCH

Fitting Instructions

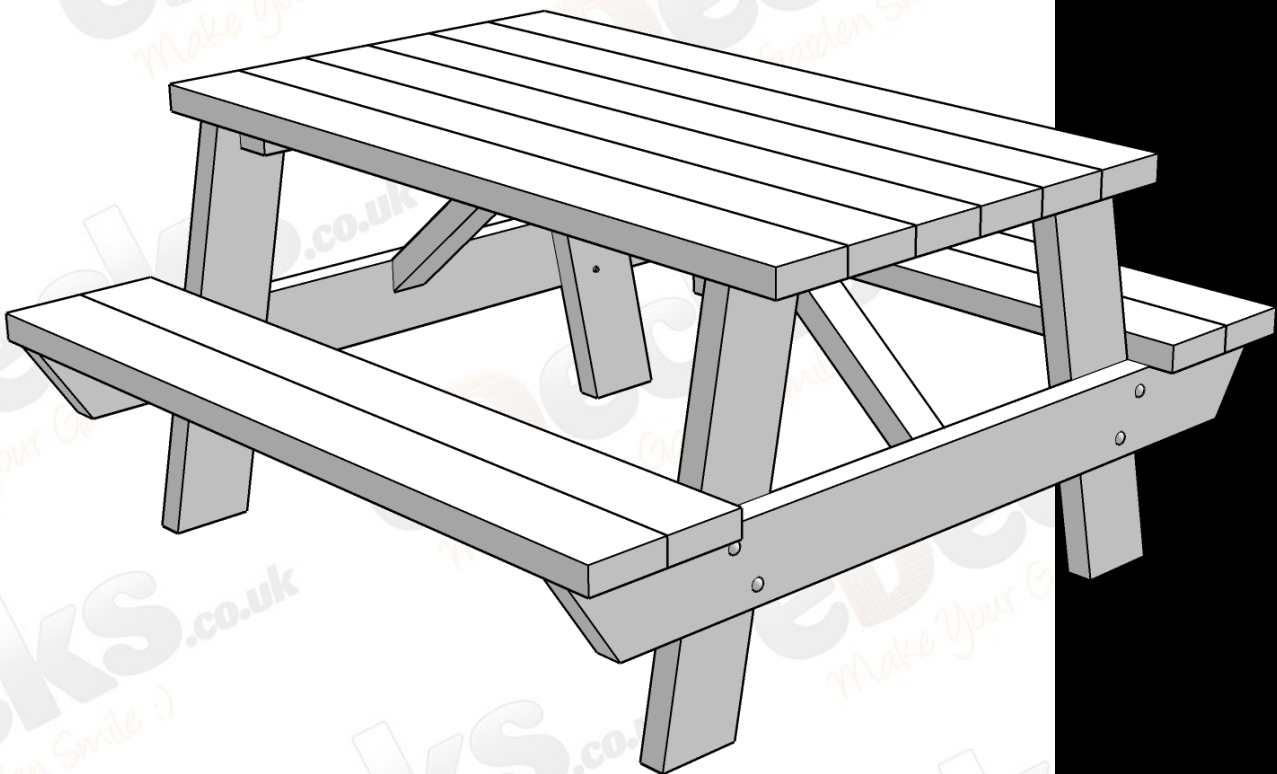


Component List

- | | |
|--|-----|
| 10 x Top & Seat Pieces 6x2 1600mm | (A) |
| 2 x End Brace 6x2 1670mm (angled cut, pre drilled holes) | (B) |
| 4 x Legs 6x2 810mm (angled cut, pre drilled holes) | (C) |
| 2 x Table Top Support 3x2 820mm | (D) |
| 2 x Centre Brace 3x2 600mm (angled cut) | (E) |
| 60 x 75mm Green Screws | (F) |
| 8 x M8 x 100mm Carriage bolt | (G) |

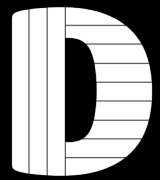
Tools Required:

- Drill driver
- Pencil
- Tape measure
- Spirit level



GARDEN PICNIC BENCH

Fitting Instructions

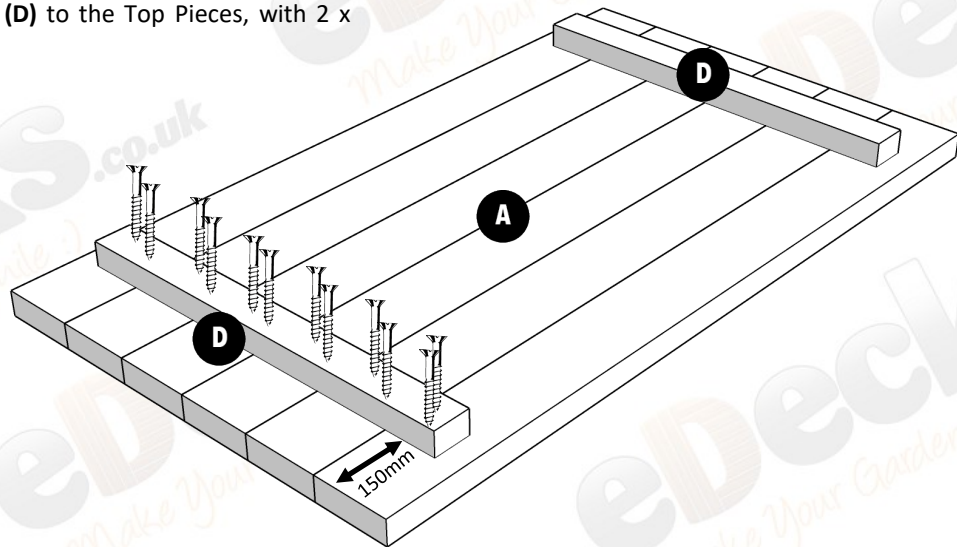


Step 1

Lay 6 x Top Piece 6x2 1600mm **(A)** on the floor, flush together to make the table top.

Then, lay the two pieces of Table Top Support 3x2 820mm **(D)** centrally, and 150mm in from the table ends.

Secure the Table Top Support 3x2 820mm **(D)** to the Top Pieces, with 2 x 75mm Green Screws **(F)** into each piece of 6x2 **(A)**.



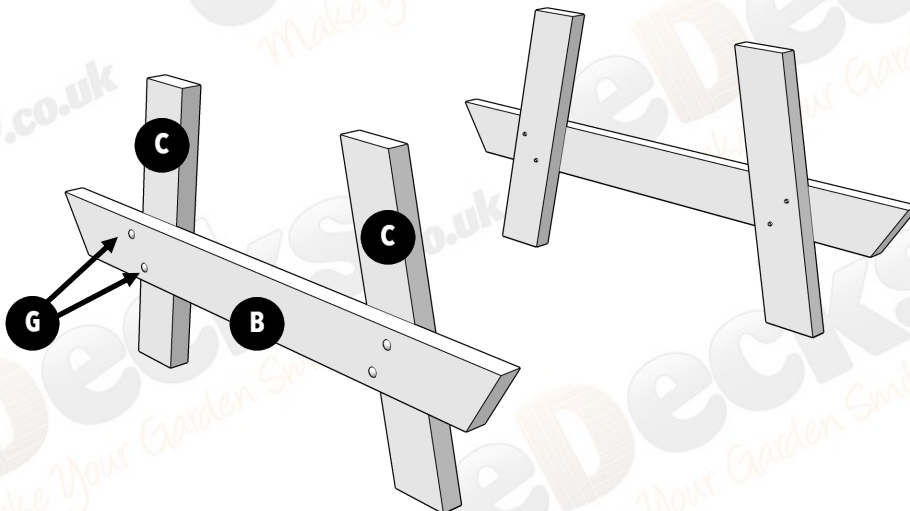
Step 2

Take 2 x Legs 6x2 810mm **(C)** and 1 x End Brace 6x2 1670mm **(B)** to assemble one side of the leg structure.

Note: These components are pre drilled for the carriage bolts, so please marry up the holes, DO NOT drill your own.

Place 4 x M8x100mm Carriage bolt **(G)** through the pre drilled holes of the legs **(C)** and end brace **(B)** and fasten together.

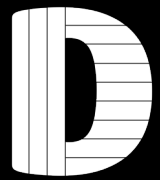
Repeat this, with the remaining 2 x Legs **(C)** and 1 x End Brace **(B)** to give you two sets of legs.



Remember to check your work with a level as you go!

GARDEN PICNIC BENCH

Fitting Instructions

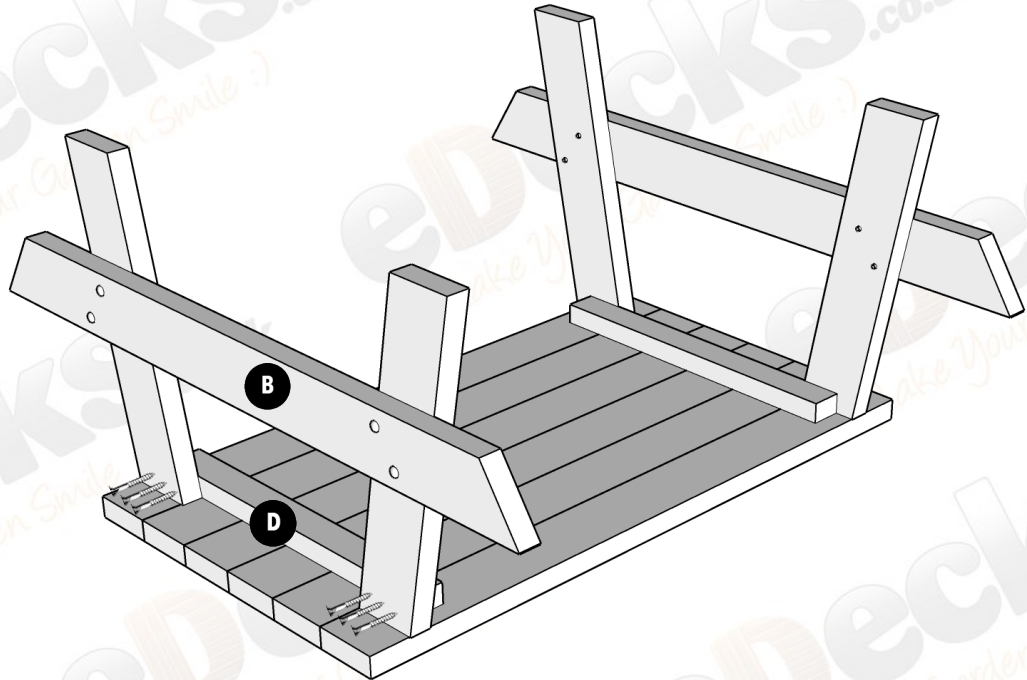


Step 3

Lay the table top which was constructed in Step 1, on the floor with the table top supports facing the sky.

Position one set of legs against the Table Top Supports (**D**) on the outside edge of the support. The End Brace (**B**) should also be facing out. Fix in to place by driving 3 x 75mm Green Screw (**F**) in to the Table Top Supports, through each leg.

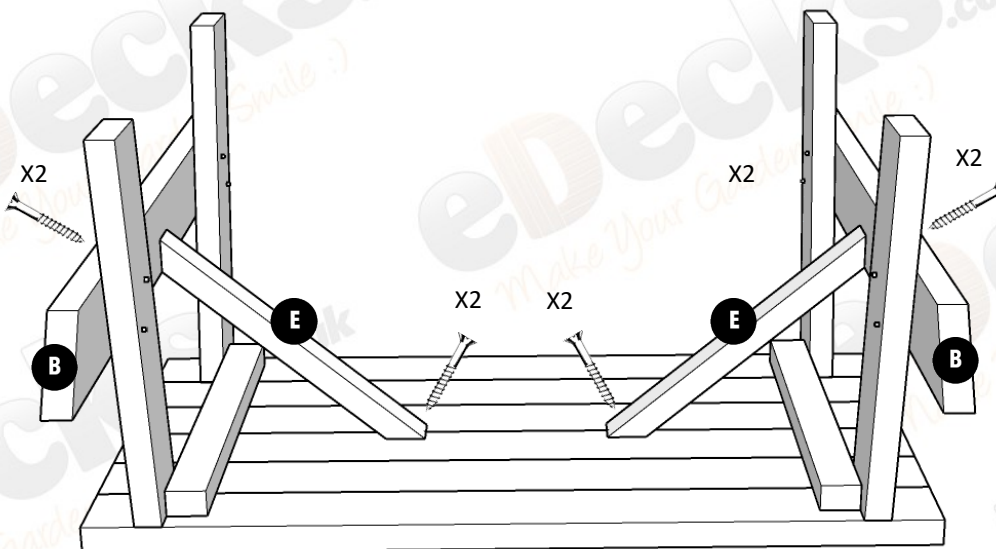
Repeat with the other set of legs.



Step 4

Take 1 x Centre Brace 3x2 600mm (angled cut) (**E**) and attach firstly, and centrally to one of the End Brace (**B**), securing with 2 x 75mm Green Screws (**F**). Drive in from the outside of the End Brace (**B**). Secondly, fix the other end of the Centre Brace (**E**), by going in at an angle to the table top with another 2 x 75mm Green Screws (**F**).

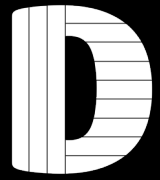
Take the other Centre Brace (**E**) and repeat the above at the other side to fix in place.



Remember to check your work with a level as you go!

GARDEN PICNIC BENCH

Fitting Instructions

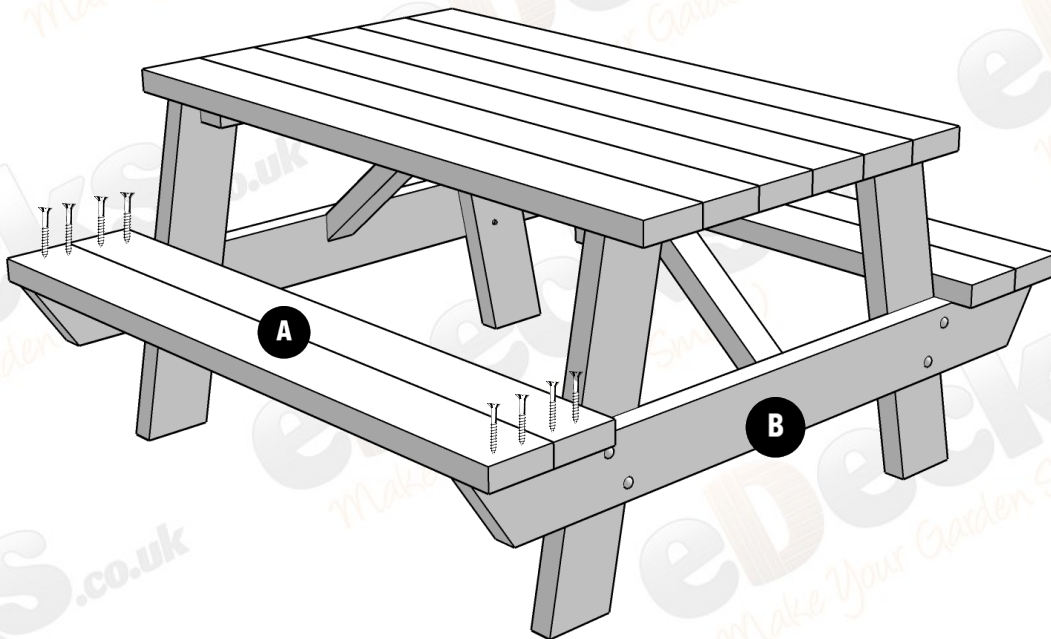


Step 5

Turn your bench the right way up now so its sitting on all legs correctly.

Lay the remaining pieces of Top Piece 6x2 1600mm **(A)** on to the end braces to create the seating/bench.

Make sure the overhang is the same at either end, and then fix in to place by driving down 2 x 75mm Green Screws **(F)** into each piece of Top Piece **(A)** into the End Brace **(B)**.

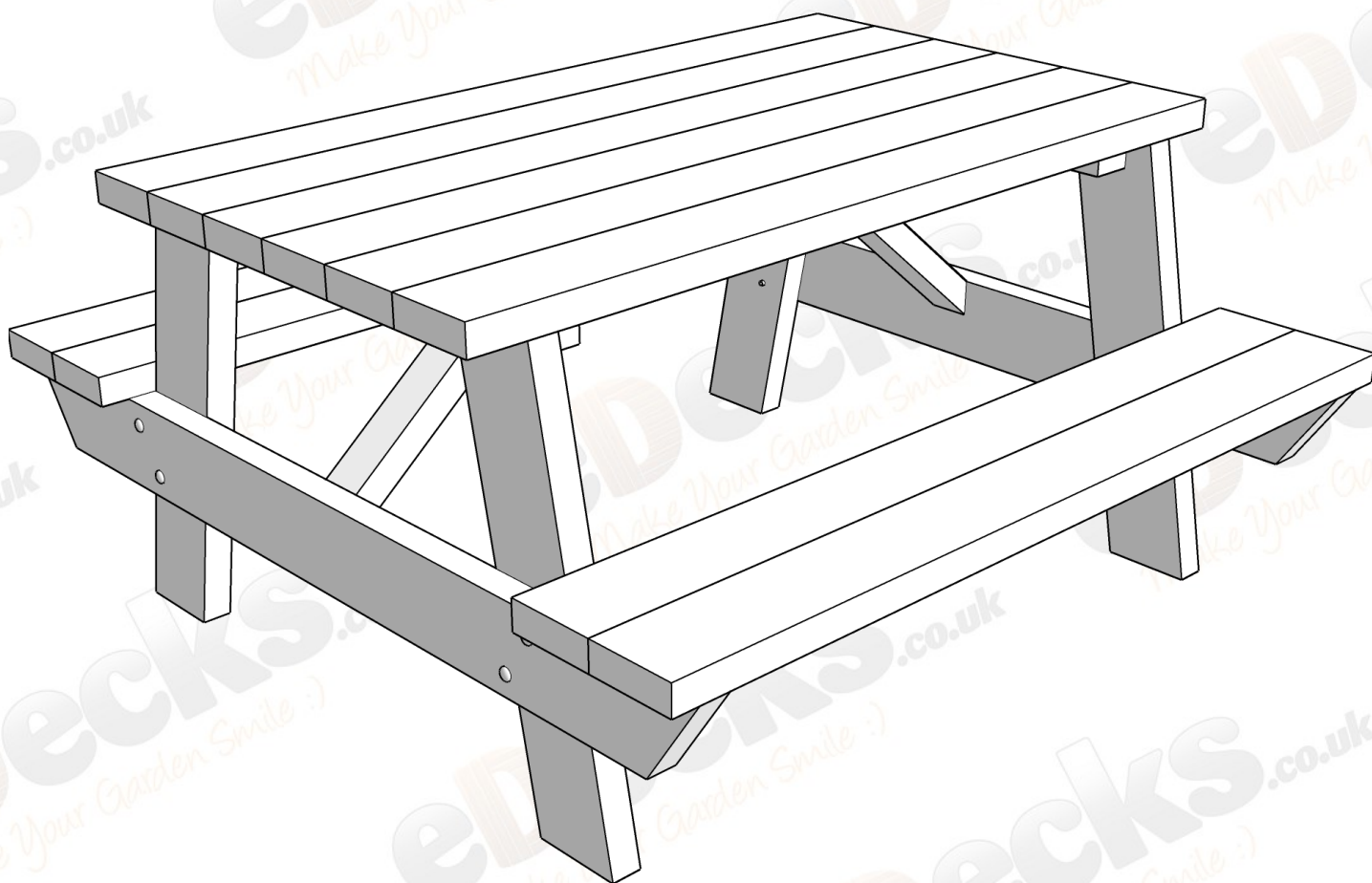
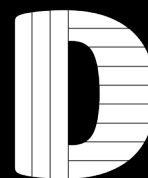


Remember to check your work with a level as you go!

Page 4 of 5

GARDEN PICNIC BENCH

Fitting Instructions



Enjoy your new Garden Picnic Bench!