

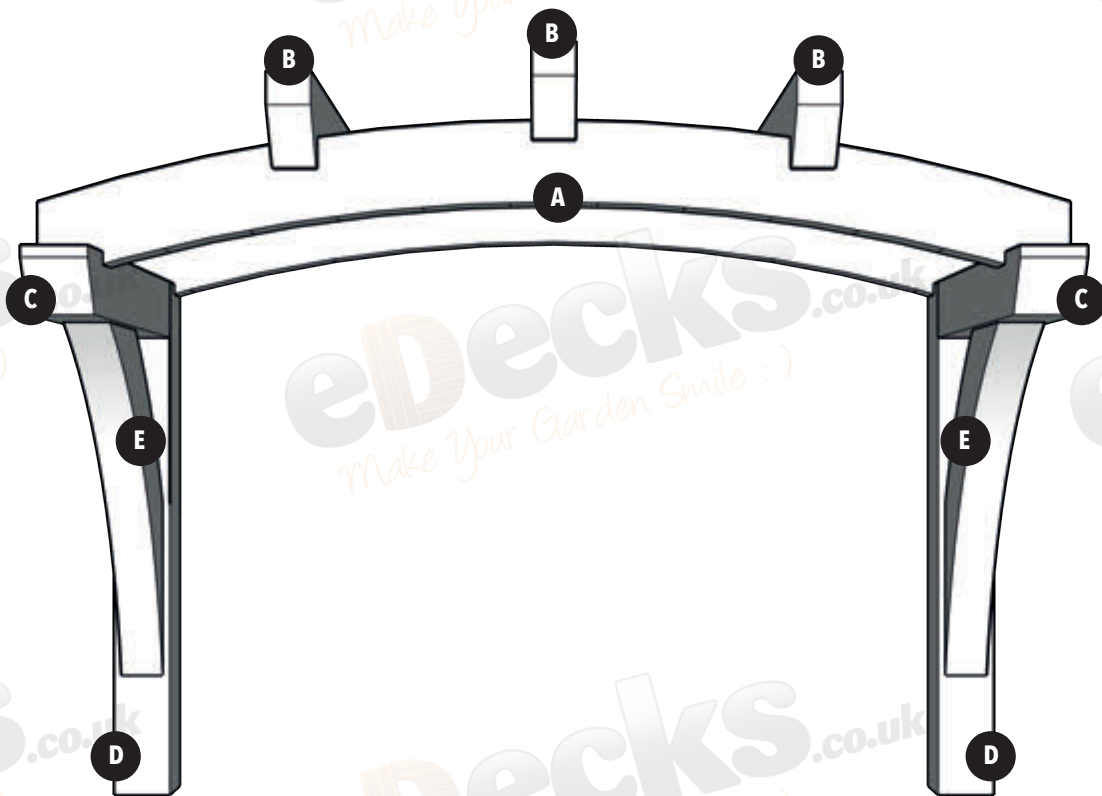


Kit Contents

- A** 2 x Curved Pergola Beam 1200mm
 - B** 3 x 4x2 Rafters 565mm
 - C** 2 x 3x3 Post 500mm Angled at one end
 - D** 2 x 3x3 Post 700mm Wall Support
 - E** 2 x Curved Support Beam 460mm
 - F** 4 x 120mm Spax Screws
 - G** 18 x 100mm Wood Screws
- (This will be 20 x 100mm Wood screws if you are assembling the 1600mm version)

Please note, No fixings are included to attach the canopy to your building. These must be purchased separately.

Please note these instructions are given as a guide



Don't forget to check your work with a level as you go!

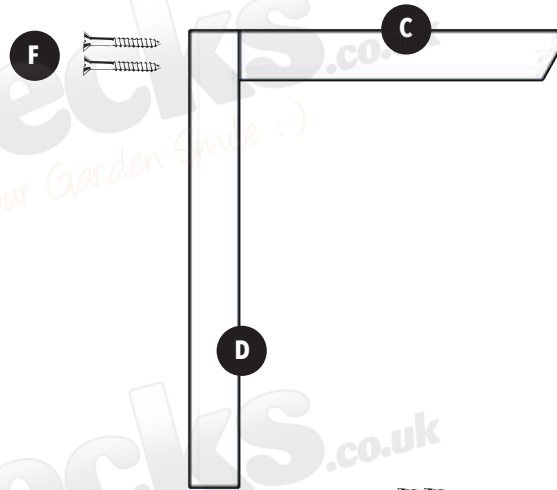


Step 1

Take one of each of the following:

- 3x3 Post 500mm Angled at one end (C)
- 3x3 Post 700mm Wall Support (D)
- Curved support beam 460mm (E)

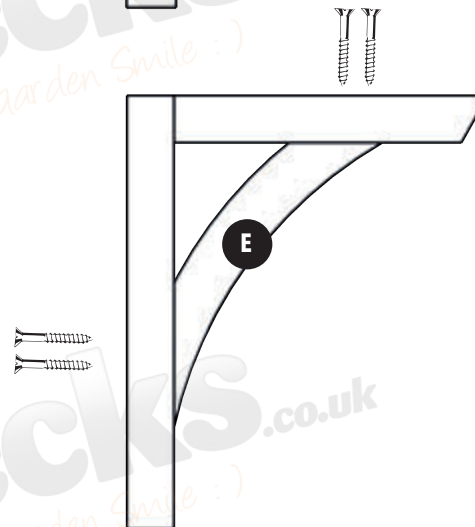
Drive 2 x 120mm Spax Screws (F) through the top of the wall support (D) and into the non angled end of the 500mm post (C)



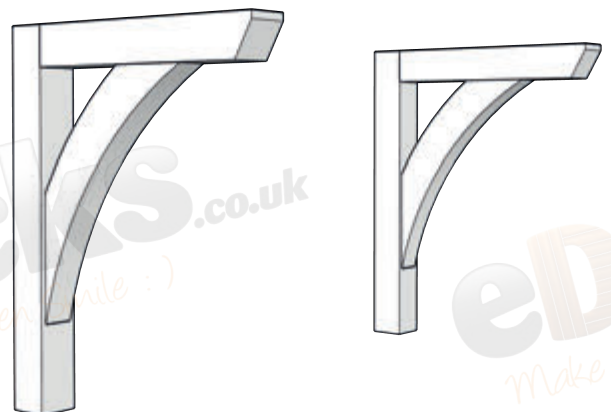
Step 2

Place 1 x Curved support beam 460mm (E) onto wall support (D), making sure the curve sits central on the wall support and the 500mm post (C)

Secure in place with 2 x 100mm wood screws, driving through the top and back of the 500mm post and wall support.



Repeat steps 1 and 2 to give you two assembled wall supports.



Don't forget to check your work with a level as you go!

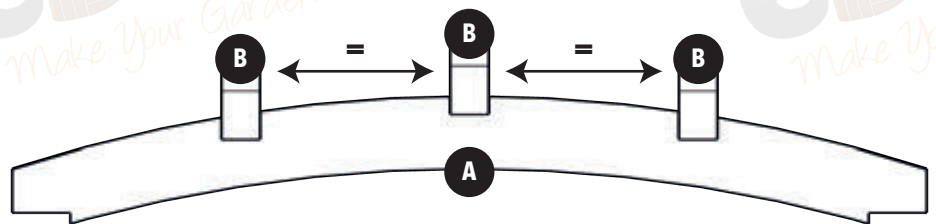
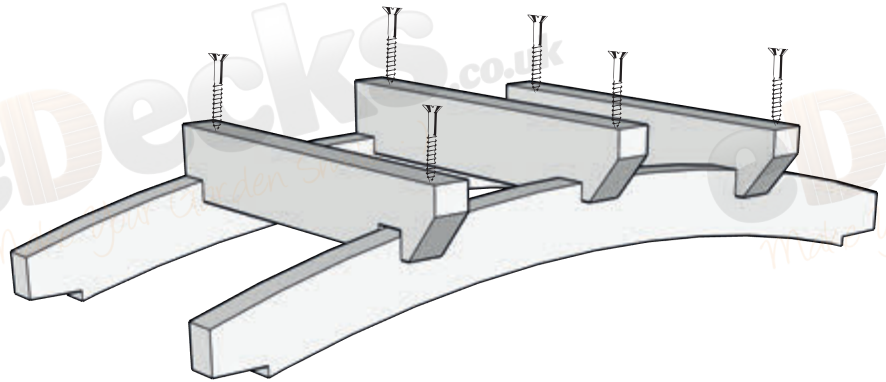


Step 3

Take the two curved pergola beams (A) and sit the rafters (B) evenly spaced across the pergola beams.

The notches on the rafters will space the curved beams correctly. Make sure the support beam is flush with the end of the rafter.

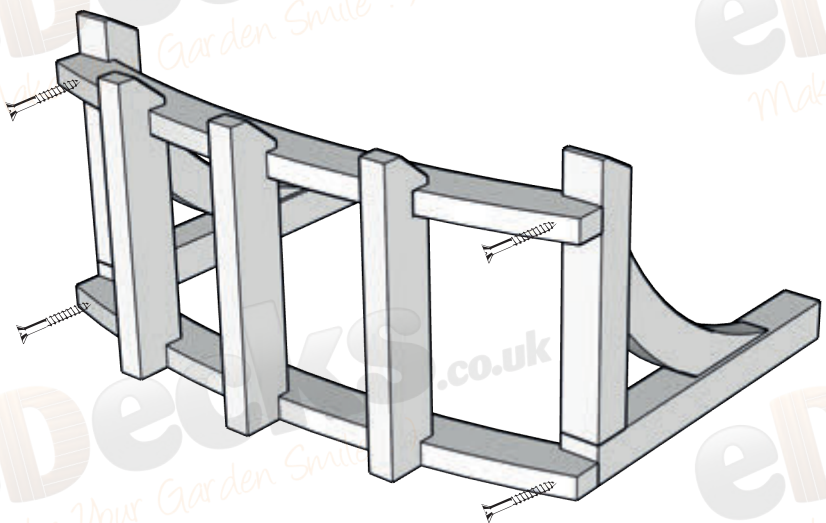
Secure by driving 1 x 100mm wood screw through the top of the rafter (B) at either end, into the pergola beam (A)



Step 4

On the floor, lay the wall brackets that you assembled in step 1, along with the assembled curved beams.

Secure together by driving 1 x 100mm wood screw (G) through the curved beam, and into the assembled wall bracket.

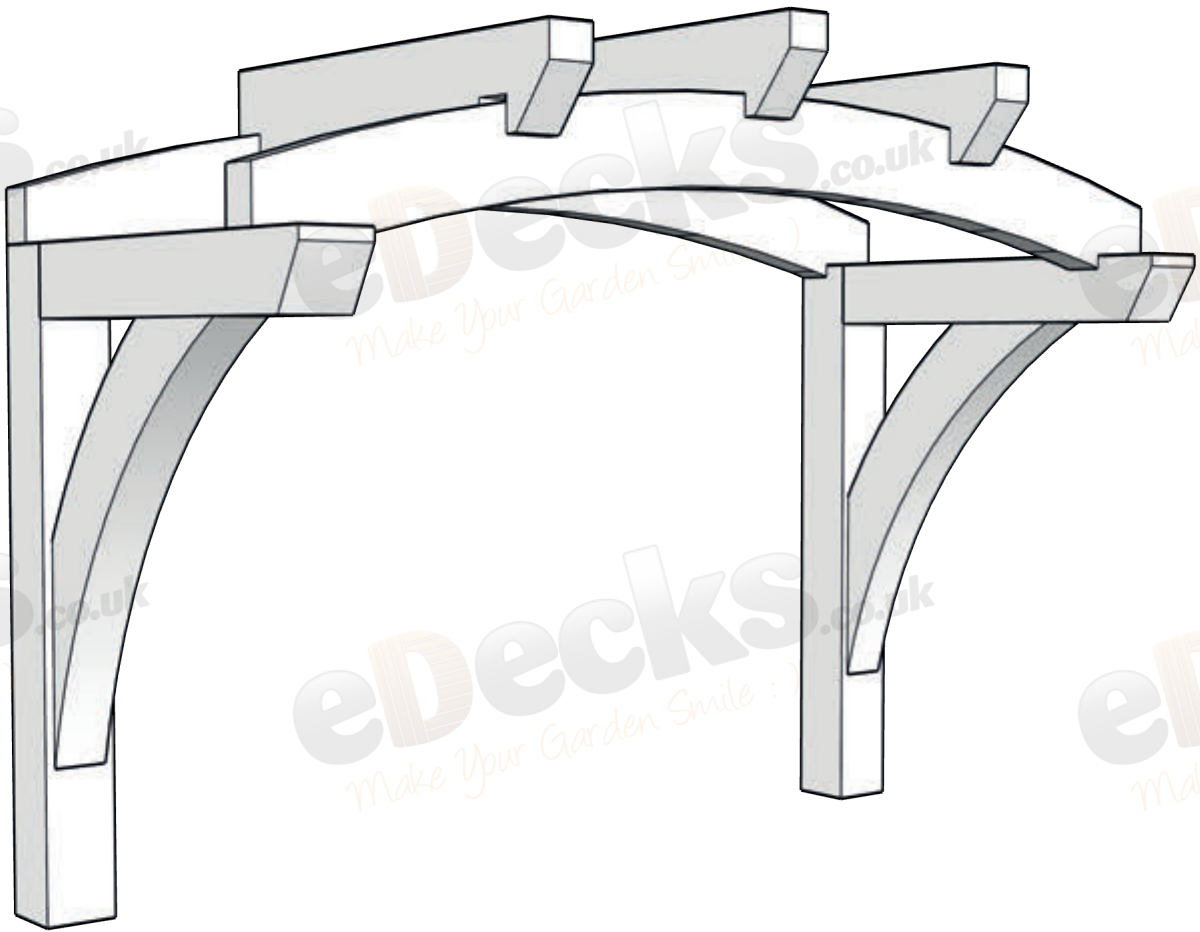


Don't forget to check your work with a level as you go!

Curved Porch Canopy Fitting Instructions



Finish!



Enjoy your newly built curved porch canopy

Page 4 of 4

All images are for illustration only, Please see individual item listings for actual item specifications