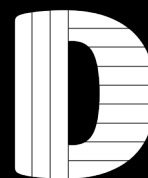


Classico Gazebo

(2400mm x 2400mm)



Component List

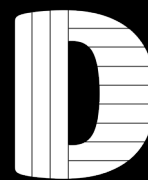
4 x Pergola Corner Posts (92mm x 92mm) 2700mm	(A)
2 x Roof Frame (92mm x 42mm) 2400mm	(B)
2 x Roof Frame (92mm x 42mm) 2315mm	(C)
4 x Diagonal Roof Trusses (92mm x 42mm) 1600mm - Angle Cut	(D)
4 x Side to Side Roof Trusses (92mm x 42mm) 1145mm - Angle Cut	(E)
8 x Corner Support Braces (92mm x 42mm) 470mm	(F)
1 x Roof Centre Block	(G)
4 x Triangular Roof Boards (OSB3)	(H)
2 x Frame Edging (100mm x 19mm) 2215mm	(I)
Roof Shingles	(J)
Roof Flashing / Ridge	(K)
106 x 75mm Green Screws	(FIX1)
13mm Clout Nails	(FIX 2)

Tools Required

Drill Driver
PZ2 Driver Bit
Pencil
Tape Measure
Stanley Knife
Hand Saw
Spirit Level

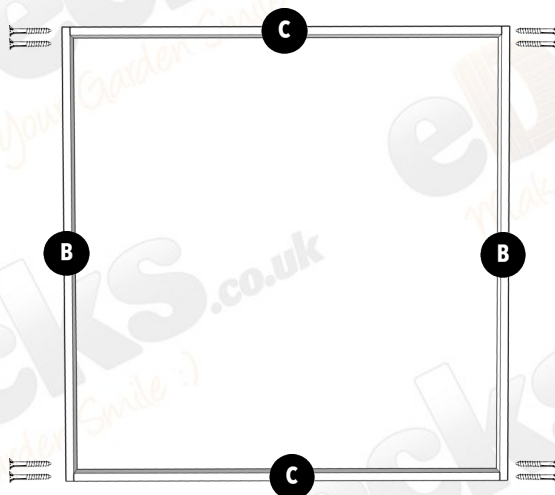
A minimum of two people are required to assemble this gazebo.

Classico Gazebo (2400mm x 2400mm)



Step 1

The first thing that needs to be made is the square roof frame, this is created using parts **(B)** and **(C)** and fixed in place using 2 x 75mm Green Screws **(FIX1)** in each corner.

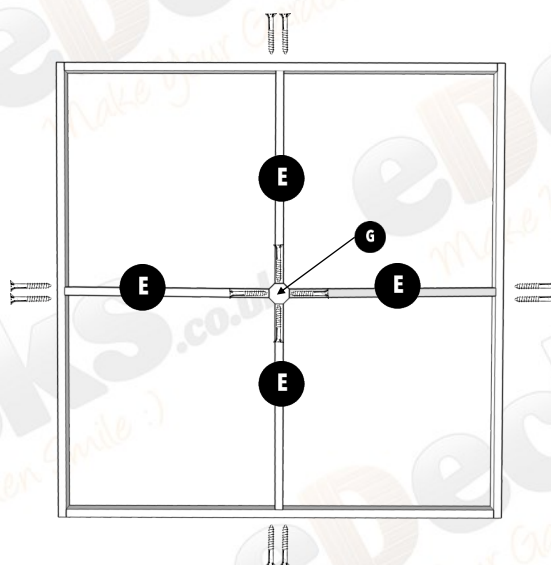


Step 2

Once the roof frame is made the first set of rafters can be installed.

Using a tape measure, find the middle of each side of the frame that you have just built and attach rafters **(E)** to the frame using 2 x 75mm Green Screws **(FIX1)** at the bottom, repeat four times until all are fixed in position.

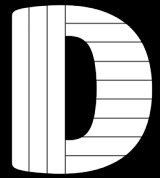
Once the four rafters are attached, you can insert roof centre block **(G)** which will join all four rafters together to form an apex, fix in place using 1 x 75mm Green Screws **(FIX1)** per rafter.



All images are for illustration only. Please see individual item listings for actual item specifications.

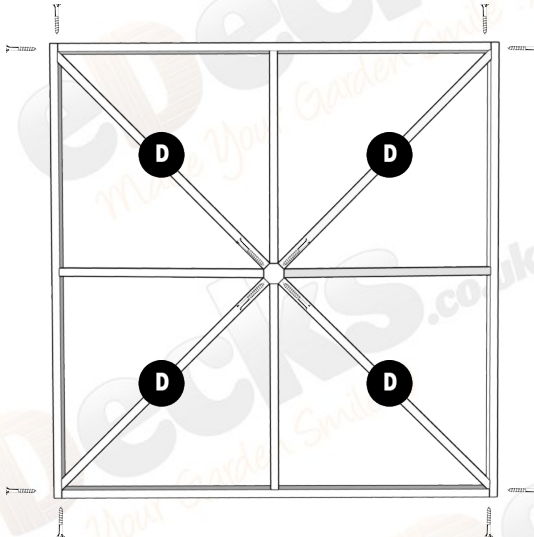
Page 2 of 8

Classico Gazebo (2400mm x 2400mm)



Step 3

To complete the roof frame the diagonal rafters (**D**) can now be installed, similarly to the ones in the previous step, again, fixed into position with 2 x 75mm Green Screws (**FIX1**) into the frame and one screw into the centre block.



Attention

To ensure a snug fit, the diagonal rafters (**D**) may require some slight trimming at the centre block end.

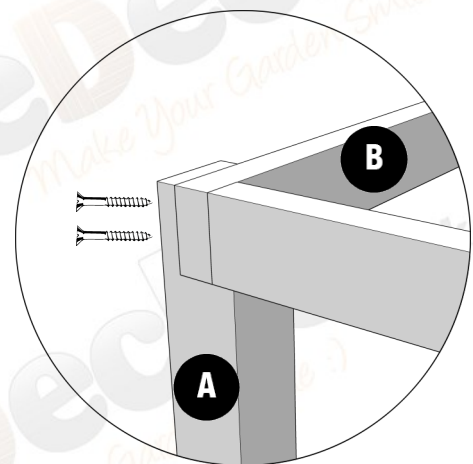
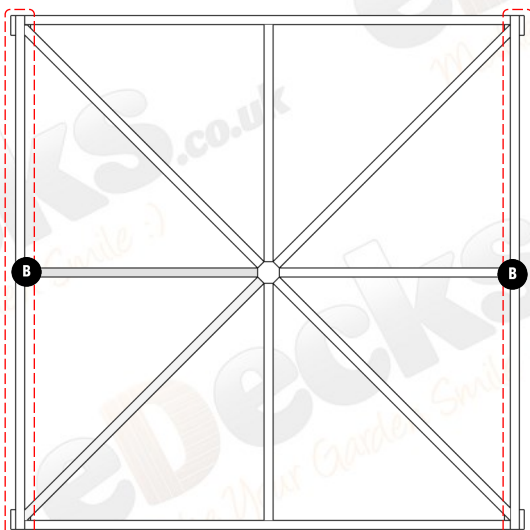
Step 4

With the roof frame built, the four corner posts (**A**) can now be installed.

It is important that the both posts are installed on the same side of the frame, see diagram below for clarification, if this isn't adhered to the rest of the build won't fit together properly.

The post are notched at one side leaving an upright on one edge, this goes to the outside of the frame and is secured in place using 2 x 75mm Green Screws (**FIX 1**) per corner.

IMPORTANT: This will require a minimum of 2—4 people, do not attempt alone!



All images are for illustration only. Please see individual item listings for actual item specifications.

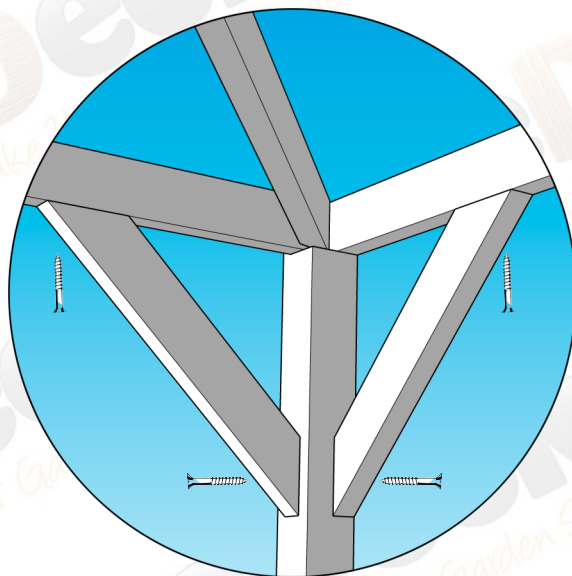
Page 3 of 8

Classico Gazebo (2400mm x 2400mm)



Step 5

In all four corners, install the support braces 470mm (F) and secure in position using 2 x 75mm Green Screws (FIX 1).

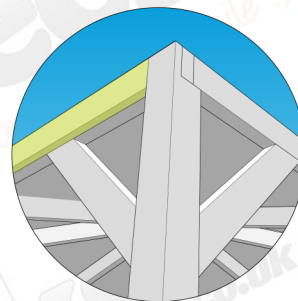
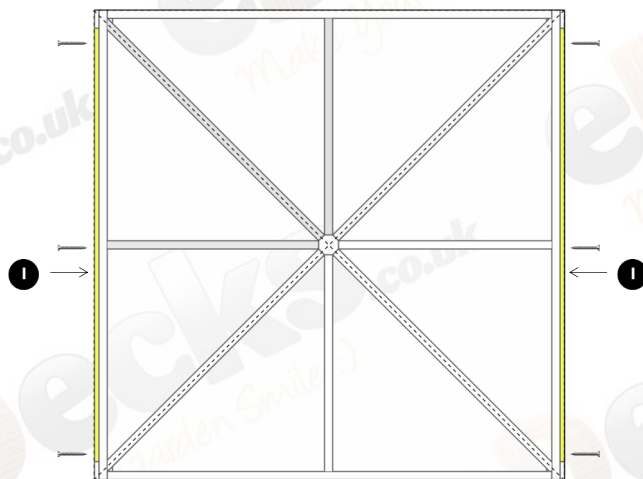


Step 6

As post have been fastened to the outside edge of two side of the pergola this creates a slightly off square finish, so to level things up it is at this point that you install the 2 x Frame Edging pieces (I).

These are supplied slightly oversize so that you can trim them to be an exact fit.

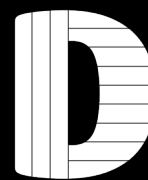
To secure in place use 3 x 75mm Green Screws (FIX1) per side as indicated below.



All images are for illustration only. Please see individual item listings for actual item specifications.

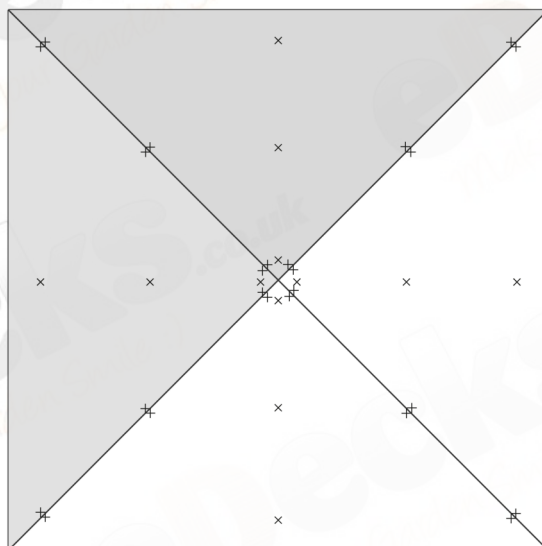
Page 4 of 8

Classico Gazebo (2400mm x 2400mm)



Step 7

Now that the pergola has the legs fastened into position, the triangular roof boards (OSB3) (**H**) can be lifted up and into position and fastened to the frame using 9 x 75mm Green Screws (**FIX1**) per piece as indicated below.

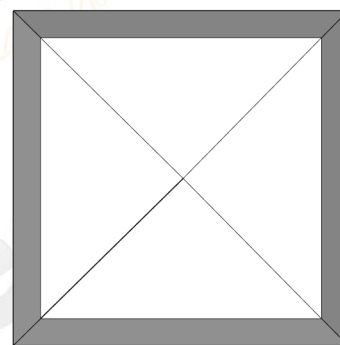
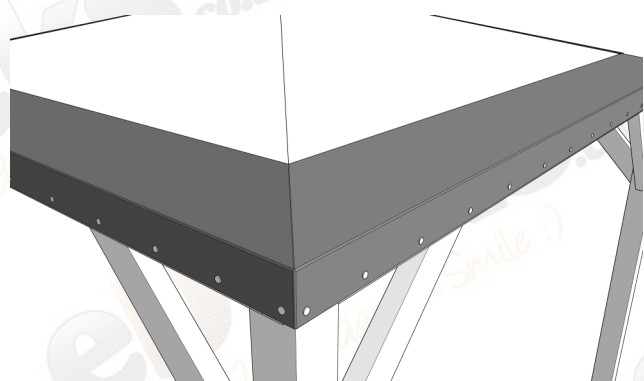


Step 8

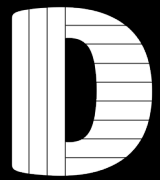
Now that the roof is fully constructed the roof flashing (**K**) can be installed around the bottom of the frame edges.

Starting in one corner, line up the flashing bottom edge flush with roof frame and secure in place using approx. 16 x 13mm clout nails (**FIX 2**) at 150mm spacing's.

One roll will cover three sides, so the second roll will need to be opened to the finish and get back to where you started, please allow a small amount of overlap to ensure a water tight seal. In the corners you will be required to cut the flashing so that it can be folded over to create a neat edge. The flashing that stands proud of the frame is folded down flat to the roof surface and secured in place using approx. 16 x 13mm clout nails (**FIX 2**) as per the edging.



Classico Gazebo (2400mm x 2400mm)

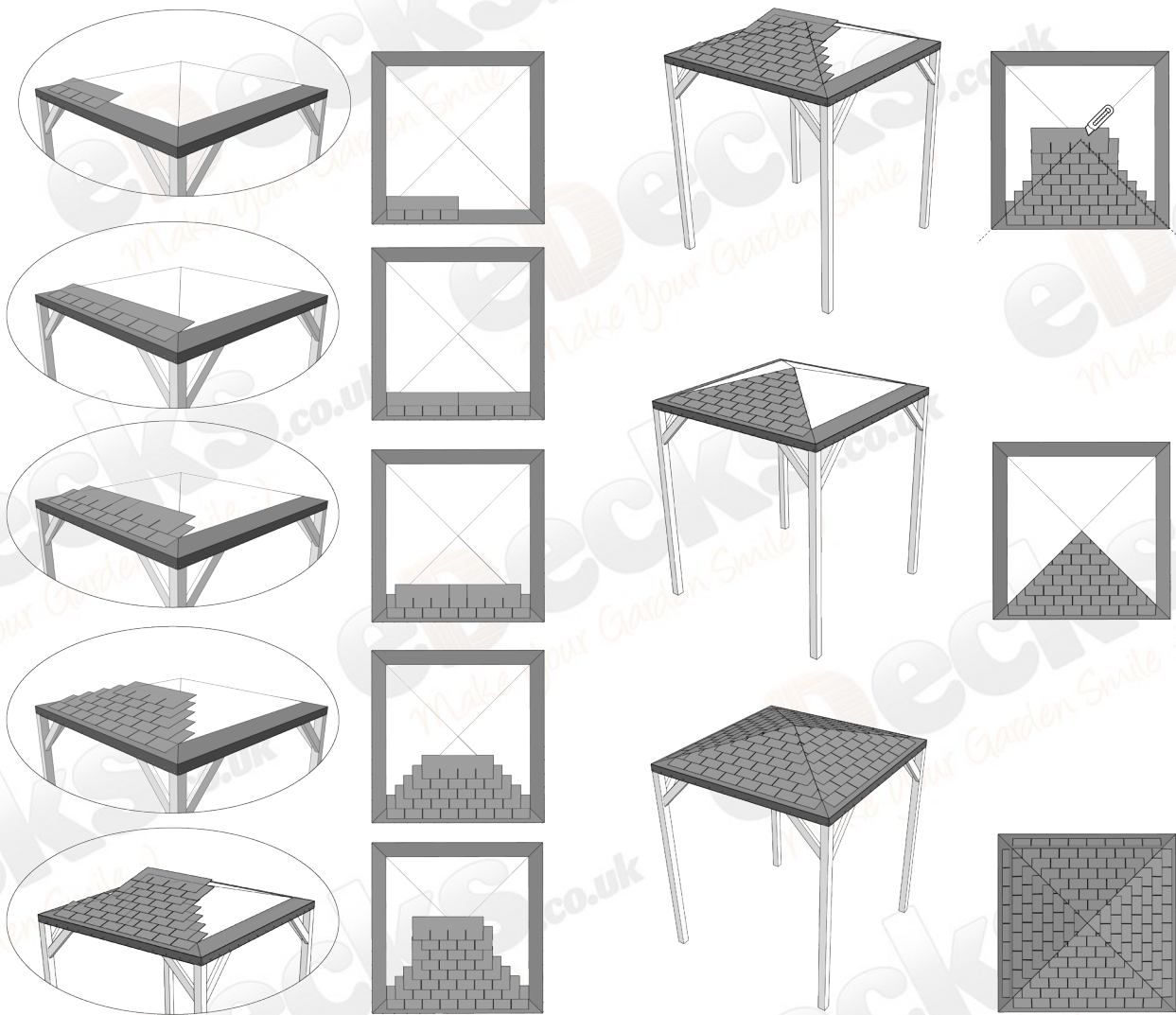


Step 9

Once the flashing is installed around all four edges and secured in place the roof shingles (J) can be fixed into position.

Starting in one corner at the bottom of the roof, the first row are laid as per the below diagram., with the outermost edge sitting just off from the ridge of the roof. Subsequent shingles are then added side by side until the other corner is reached, these are held in place with 2 x clout nails (FIX2) per tile.

When moving up to subsequent rows the shingles will need to be cut along the ridge line to cover edge to edge, do not throw away any excess as these will be suitable for other sections of the roof when working up towards the top.



Classico Gazebo

(2400mm x 2400mm)



Step 10

When you have your roof fully covered in shingles on all four sides, the ridge capping (**K**) can be added to make the roof watertight and cover any slight gaps between the shingles where they meet at the edges.

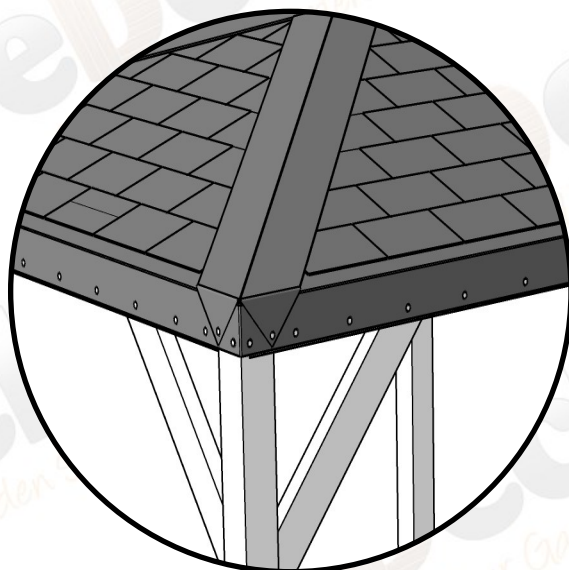
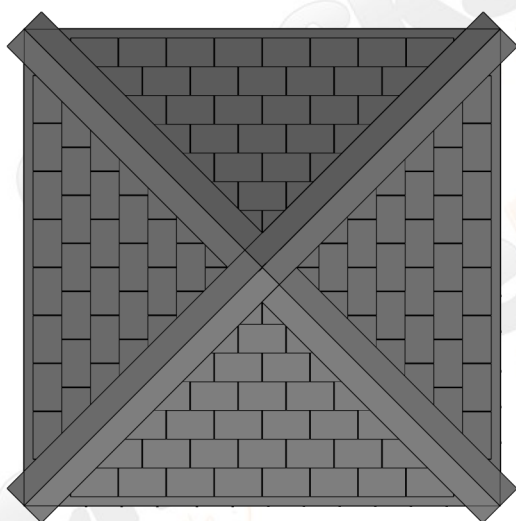
This need to be installed in 3 pieces as per the diagram below and fixed in place using clout nails (**FIX2**).

2 x pieces from the centre apex down to the corner

1 x piece in one continual length from corner to corner

The ends should over run the corners and be folded around and nailed to the frame as per the image below.

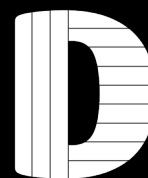
Do not attempt to put this on in 2 continual lengths from corner to corner as this will create a bulge at the apex and not allow the capping to be fastened down correctly and seal.



All images are for illustration only. Please see individual item listings for actual item specifications.

Page 7 of 8

Classico Gazebo (2400mm x 2400mm)



Enjoy your new Classico Gazebo!

All images are for illustration only. Please see individual item listings for actual item specifications.

Page 8 of 8