

# Apex Porch Canopy Fitting Instructions

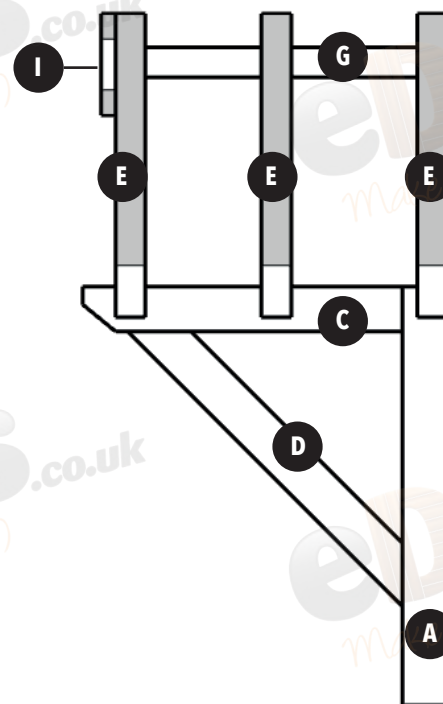
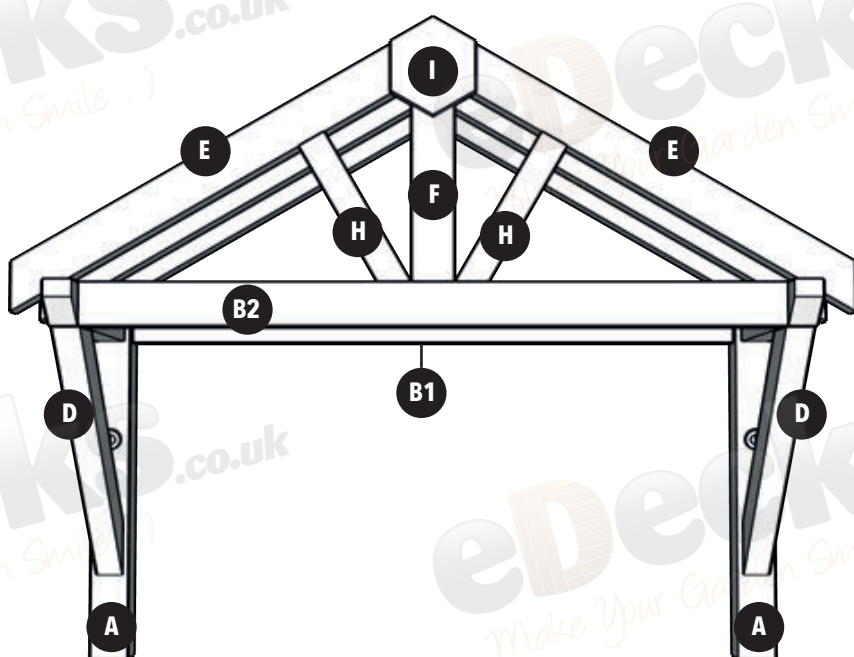


## Kit Contents

|           |   | 1.2M   | 1.6M   |
|-----------|---|--------|--------|
| <b>A</b>  | 2 x Wall Supports 75mm x 75mm                       | 700mm  | 700mm  |
| <b>B1</b> | 1 x Horizontal Roof Support (rear) 75 x 50mm        | 1.2M   | 1.6M   |
| <b>B2</b> | 1 x Horizontal Roof Support (front) 75 x 50mm       | 1.255M | 1.625M |
| <b>C</b>  | 2 x Horizontal One End Angle Cut Supports 75 x 50mm | 535mm  | 535mm  |
| <b>D</b>  | 2 x Both End Angle Cut Supports 75 x 50mm           | 640mm  | 640mm  |
| <b>E</b>  | 6 x Angle Cut Top Rafters 75 x 50mm                 | 885mm  | 1210mm |
| <b>F</b>  | 2 x Vertical Rafter Supports 75 x 50mm              | 400mm  | 535mm  |
| <b>G</b>  | 1 x Horizontal Rafter Support 75 x 50mm             | 460mm  | 460mm  |
| <b>H</b>  | 2 x Decorative Support Braces 50 x 50mm             | 315mm  | 440mm  |
| <b>I</b>  | 1 x Decorative Hexagonal Cap                        |        |        |
| <b>J</b>  | 38 x 100mm Wood Screws                              |        |        |
| <b>K</b>  | 4 x 120mm Spax Wirox Screws                         |        |        |
| <b>L</b>  | 2 x 60mm Green Screws                               |        |        |

Please note, No fixings are included to attach the canopy to your building. These must be purchased separately.

Please note these instructions are given as a guide



**Don't forget to check your work with a level as you go!**

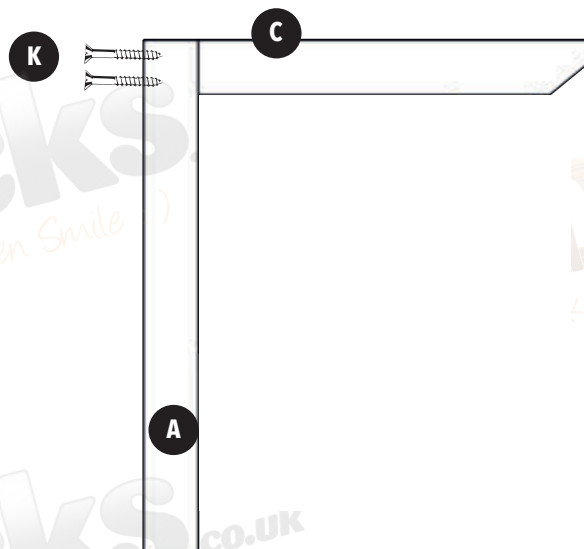
# Apex Porch Canopy Fitting Instructions



## Step 1

Take one Wall Support (A) and attach one of the Horizontal One End Angle Cut Supports (C) flush to the top of the wall support using two 120mm Wood Screws (K)

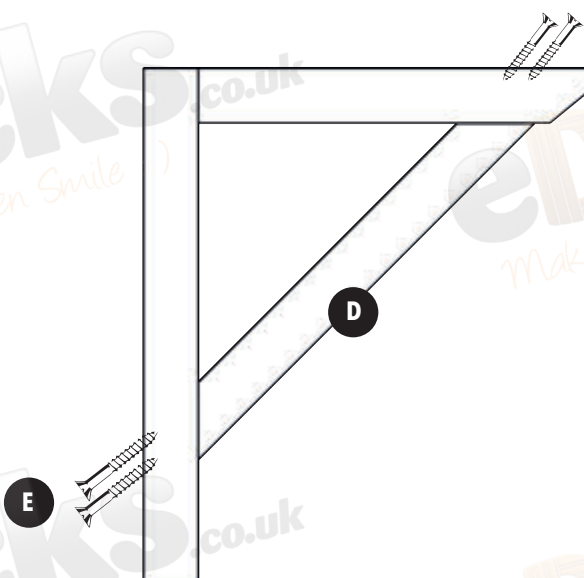
(Fixings not included to attach to the wall)



## Step 2

Now place one of the Both End Angle Cut Supports (D) in-between the connected timbers from step. This is to brace the horizontal support.

Once both angle cut ends are flush with both of the timbers, fasten into place using two 100mm Wood Screws (J) either end.

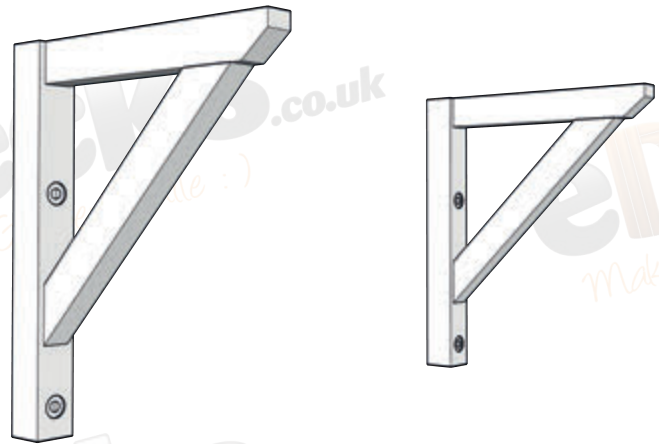


**Don't forget to check your work with a level as you go!**

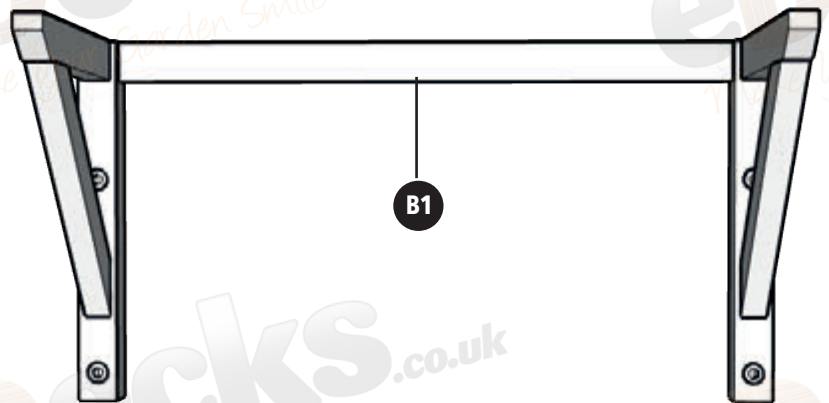


## Step 3

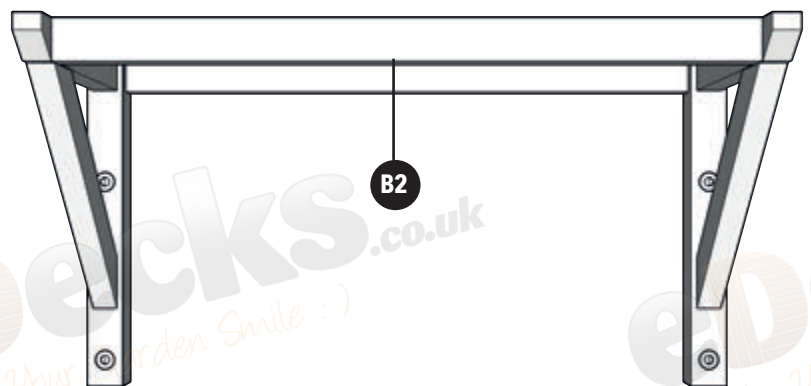
Repeat steps 1 and 2 to give you two assembled wall supports.



Fasten one horizontal roof support (B1) in-between each assembled wall support, making sure the horizontal support is flush to the back of the wall support. Use two 100mm Wood Screws (J) at each end.



Repeat again for the other end using the second roof support (B2) making sure the finish is flush to the lower angle cut of the support (C). Again, use 2 x 100mm Wood screws (J) for securing.

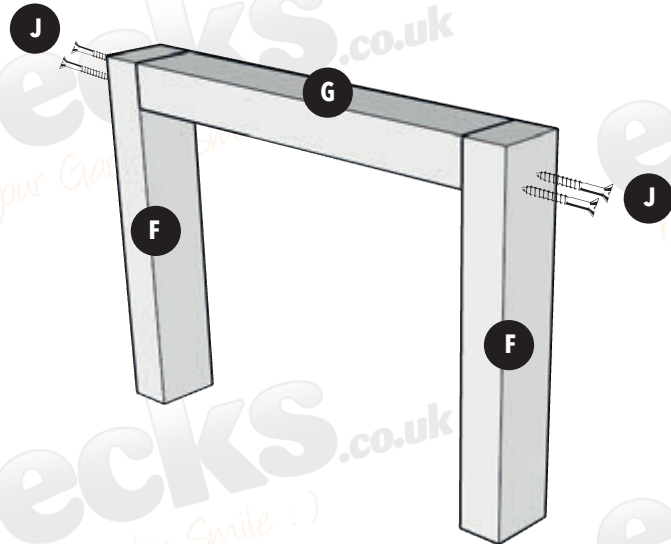


**Don't forget to check your work with a level as you go!**

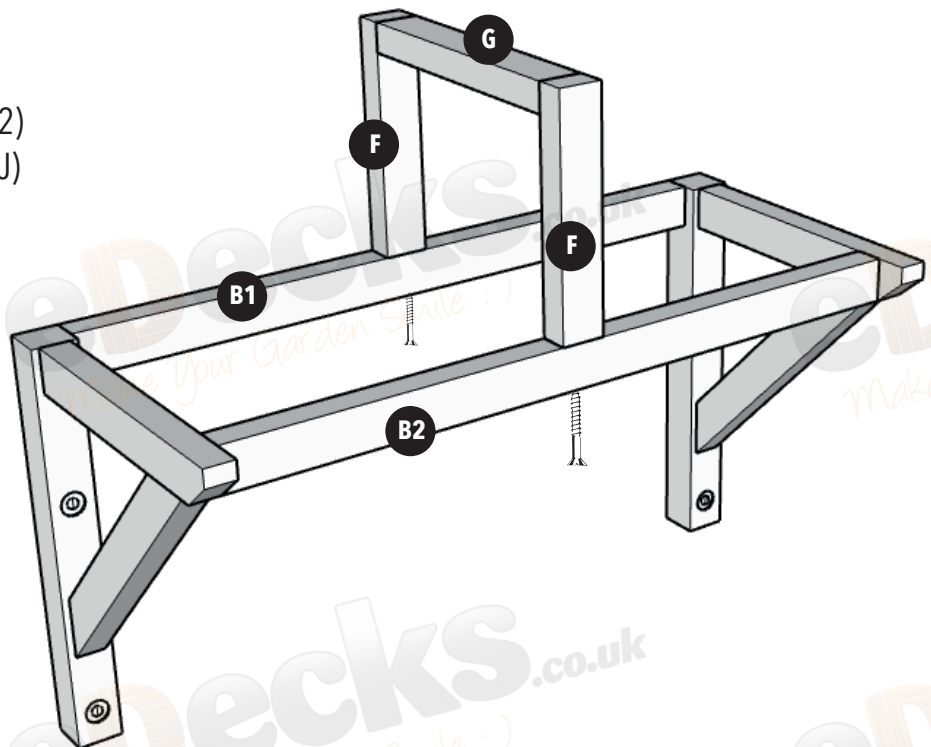


## Step 4

Attach the vertical support rafters (F) to either side of the horizontal rafter support (G) using two 100mm (J) either side.



Now attach this centrally on the horizontal Roof Supports (B1 & B2) using one 100mm Wood Screw (J) for each side.

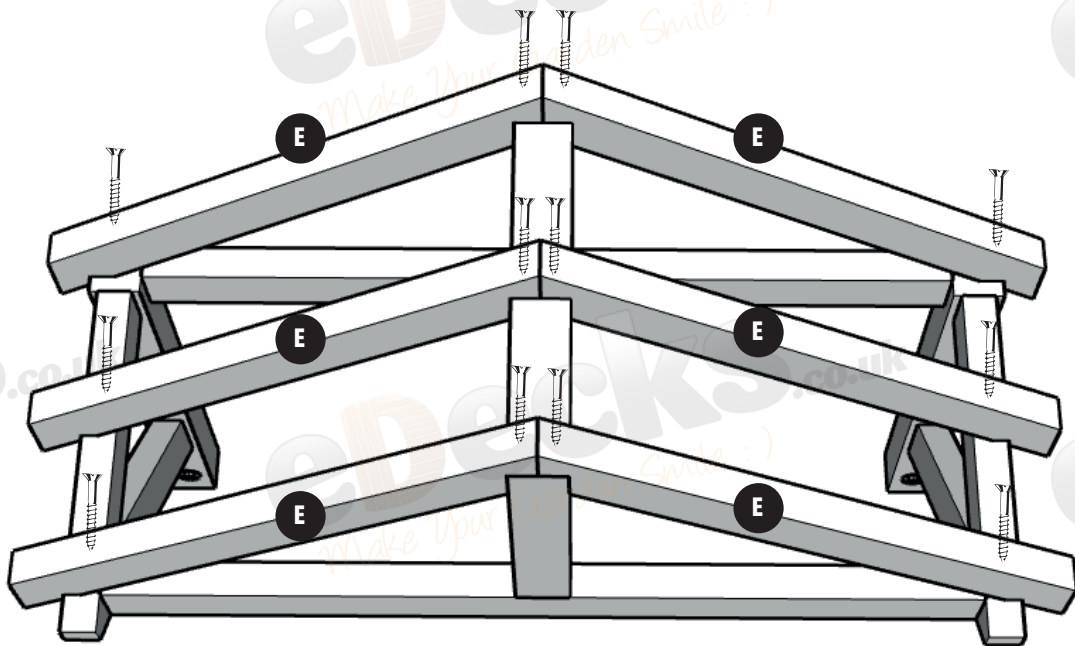


**Don't forget to check your work with a level as you go!**

## Step 5

Using two of the Angle Cut Top Rafters (E) attach them to the front of the canopy structure to create an apex shape, repeat this step for the rear. Now using the last two top rafters repeat this step a final time and secure them centrally between the front and rear rafters.

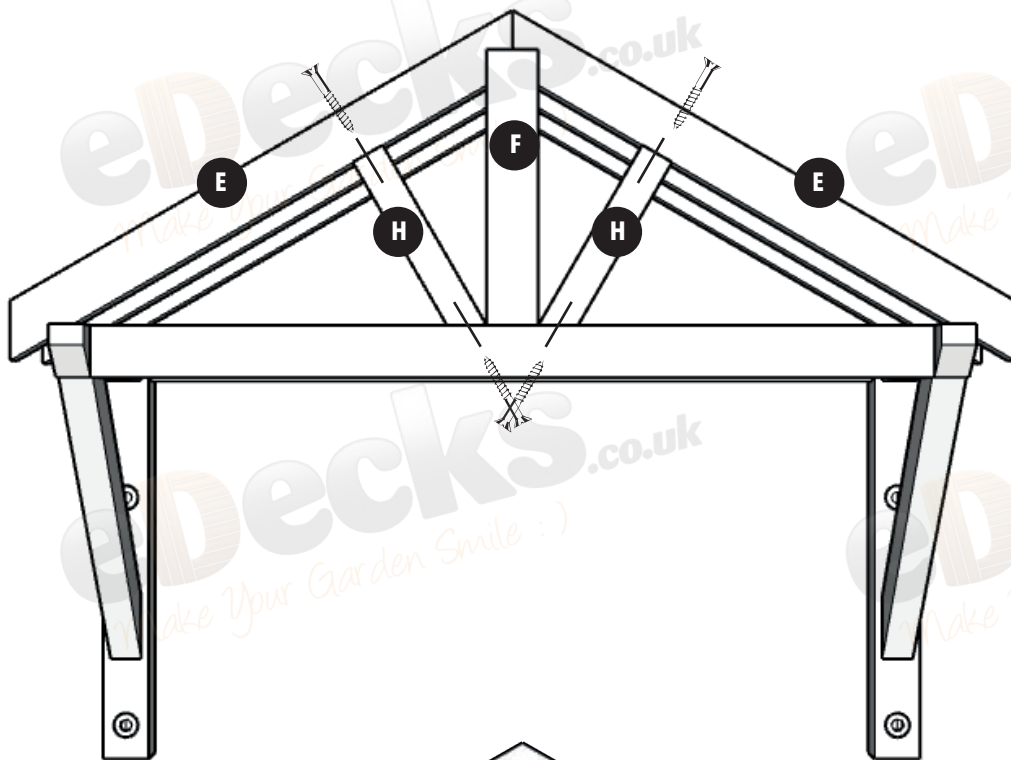
Use one 100mm Wood Screw (J) at the top and one 100mm Wood Screw (J) at the bottom on each Angle Cut Rafter (E) as indicated in the diagram below.



**Don't forget to check your work with a level as you go!**

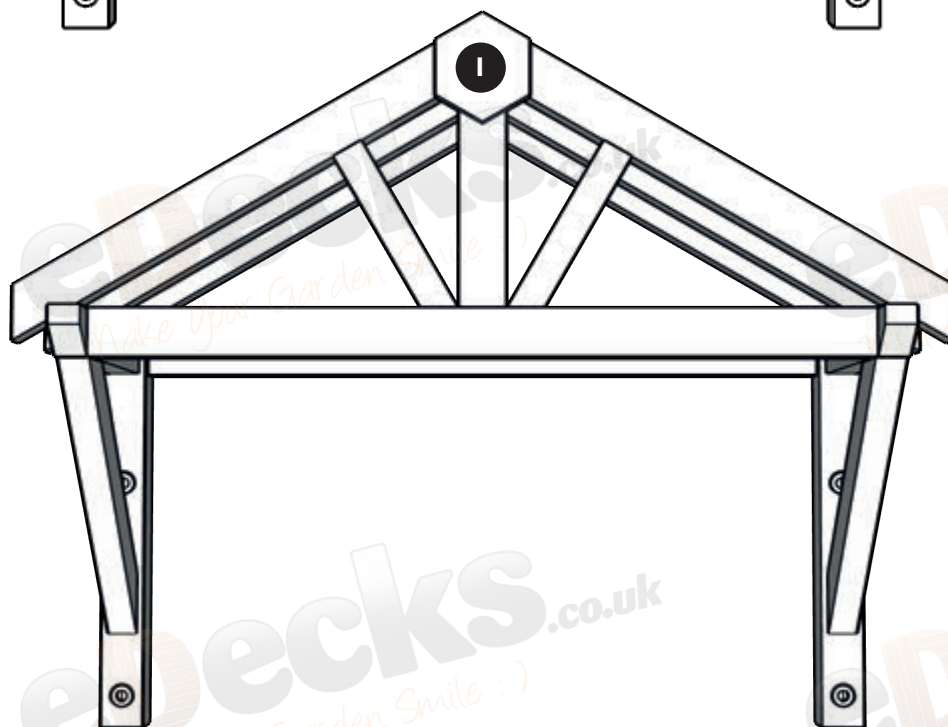
## Step 6

Slot the Decorative Support Braces (H) either side of the front vertical Rafter Support (F) using one 100mm Wood Screw either end



## Step 7

Screw the Decorative Hexagonal Cap to the top apex using two 60mm Green Screws (L)

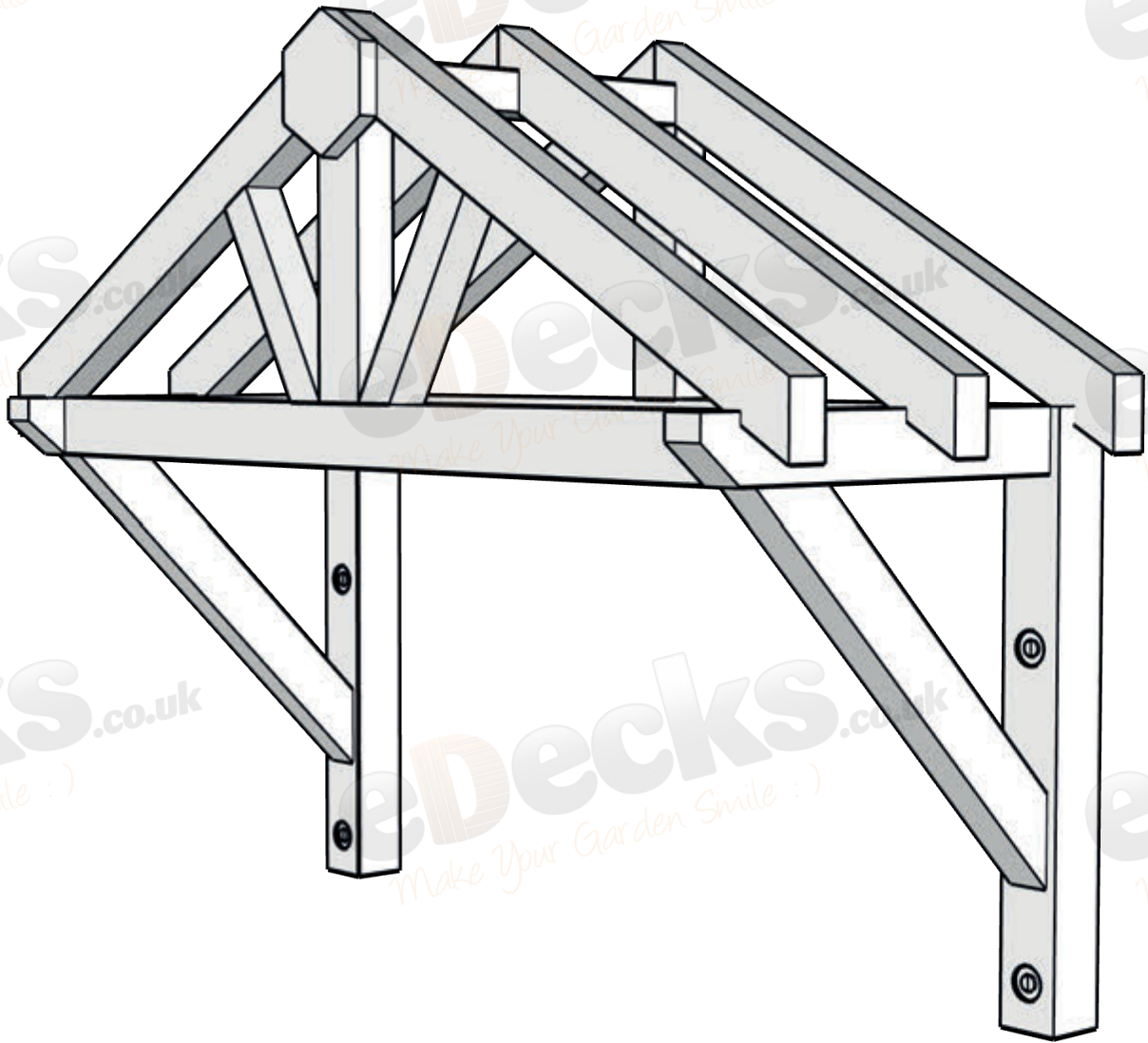


Don't forget to check your work with a level as you go!

# Apex Porch Canopy Fitting Instructions



## Finish!



Enjoy your newly built Apex Porch Canopy!

Page 7 of 7

All images are for illustration only, Please see individual item listings for actual item specifications

[www.eDecks.co.uk](http://www.eDecks.co.uk)